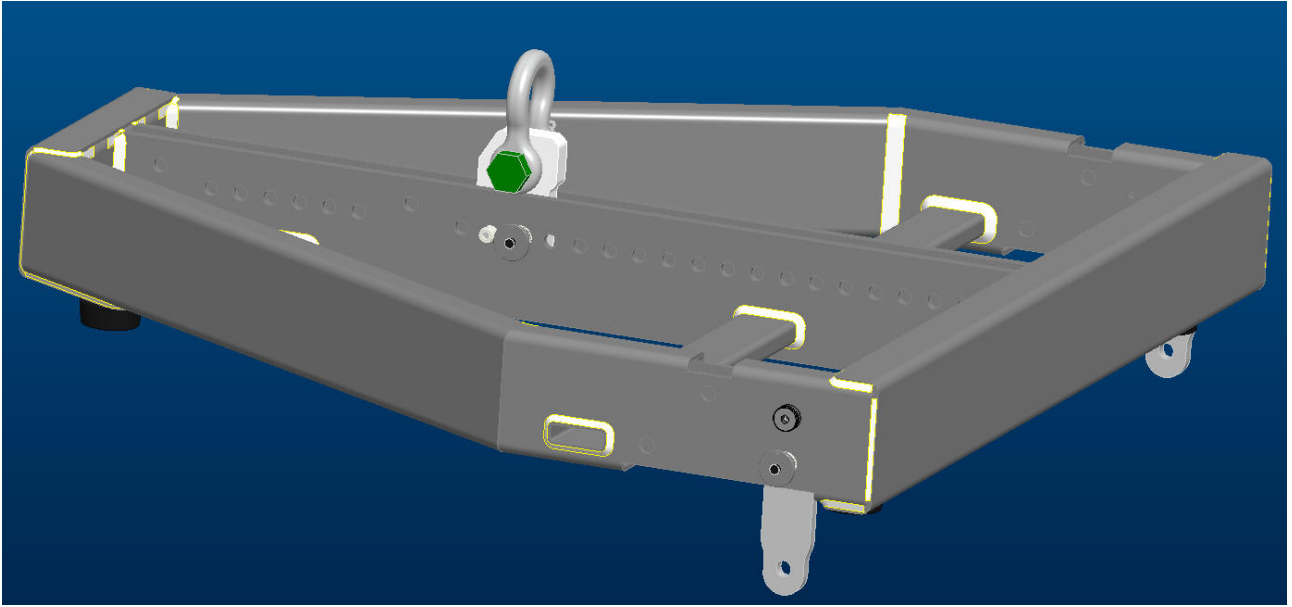
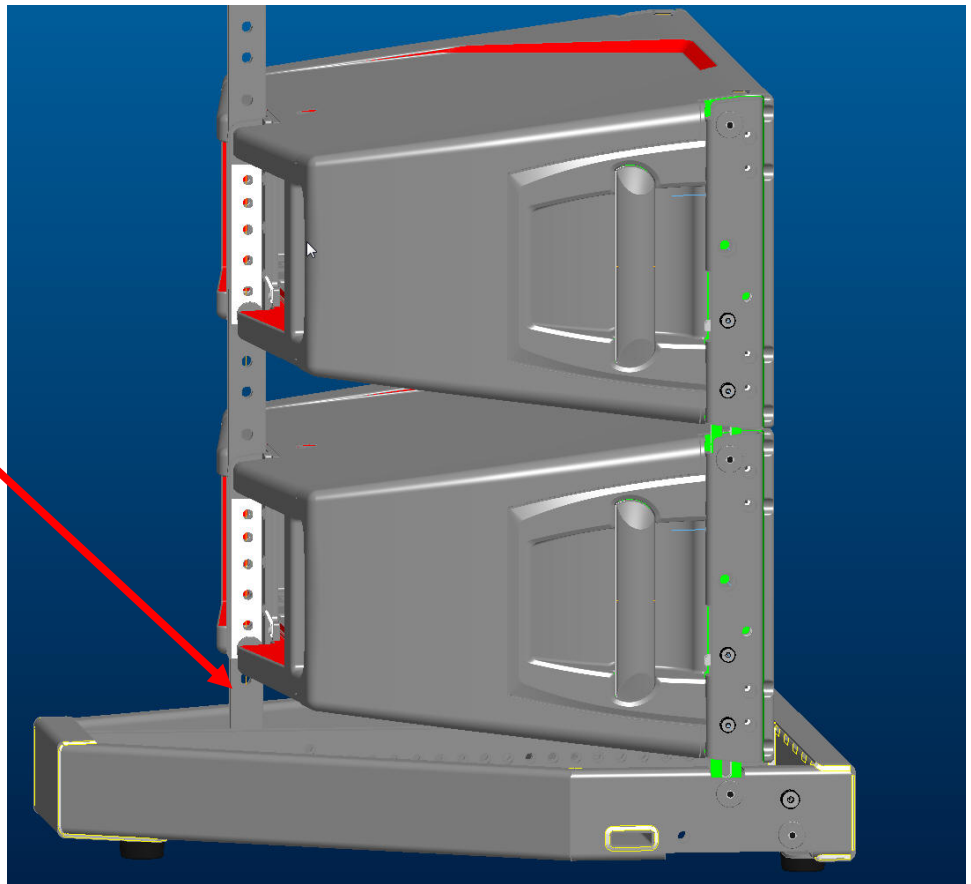
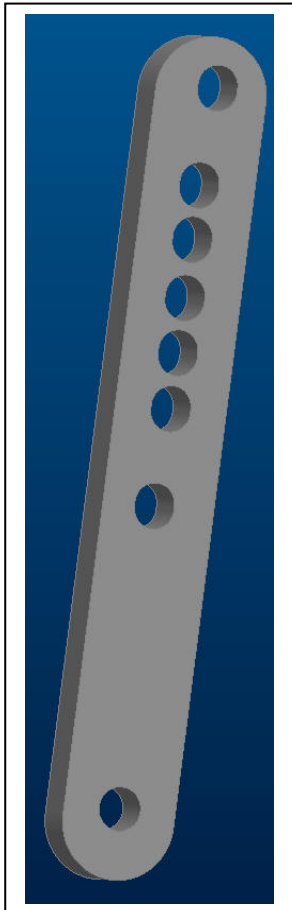


HDL2-A ACCESSORY

13360218 FLYBAR HDL20-18



STACK BAR HDL20 SUPPLIED WITH THE FLY BAR



SPARE PINS

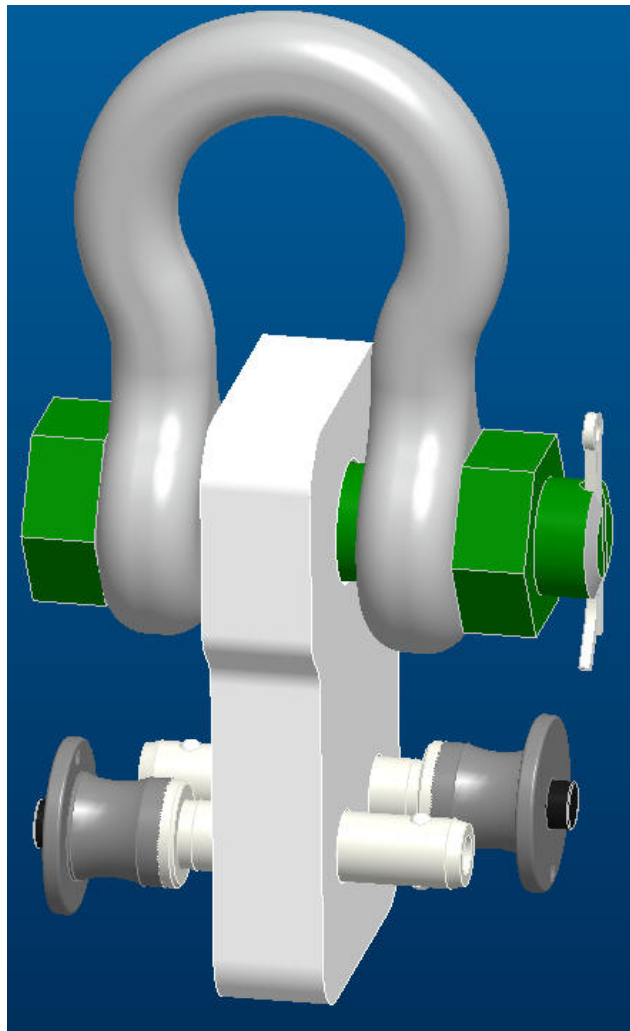


13360219 SPARE PINS FRONT 4xHDL

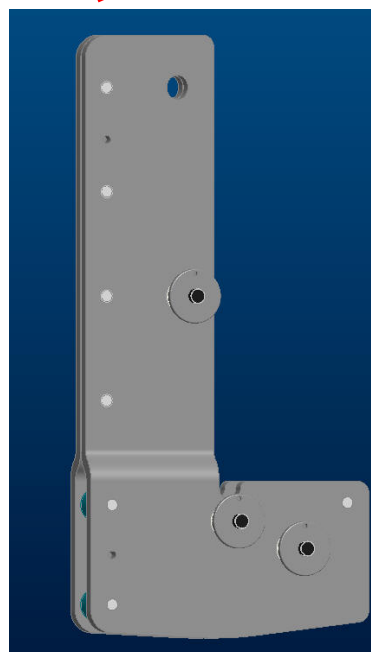
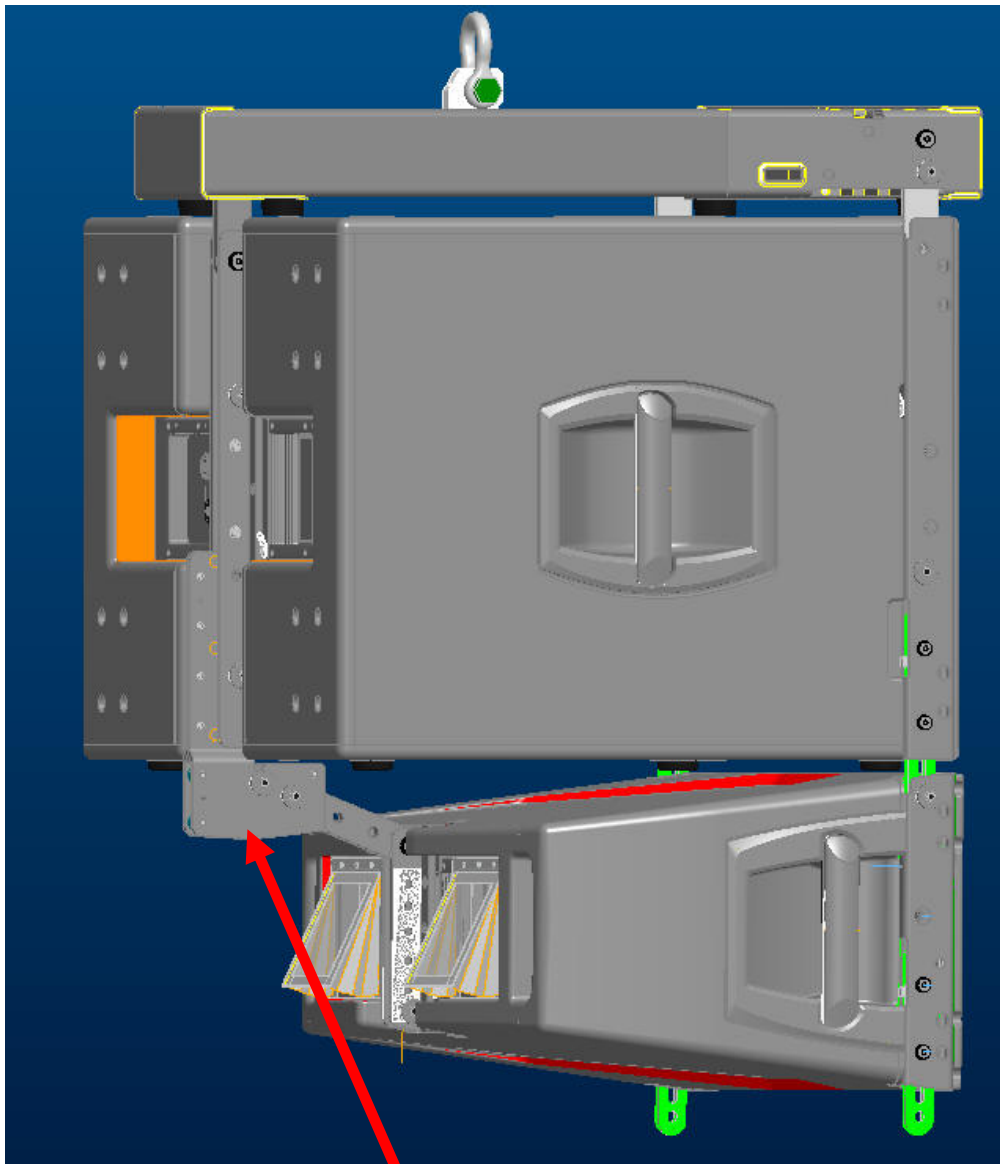
13360220 SPARE PINS REAR 4xHDL

13360221 SPARE PINS 4X FLY BAR HDL20- HDL18

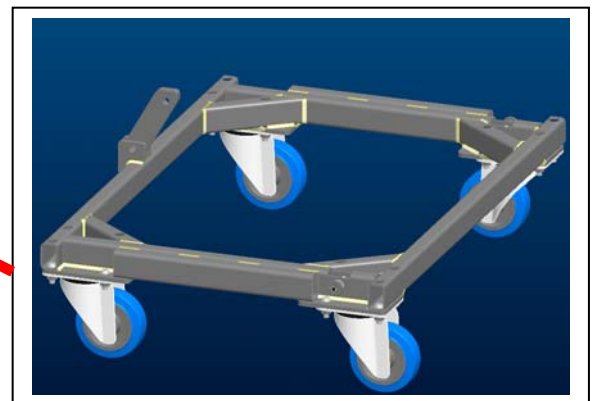
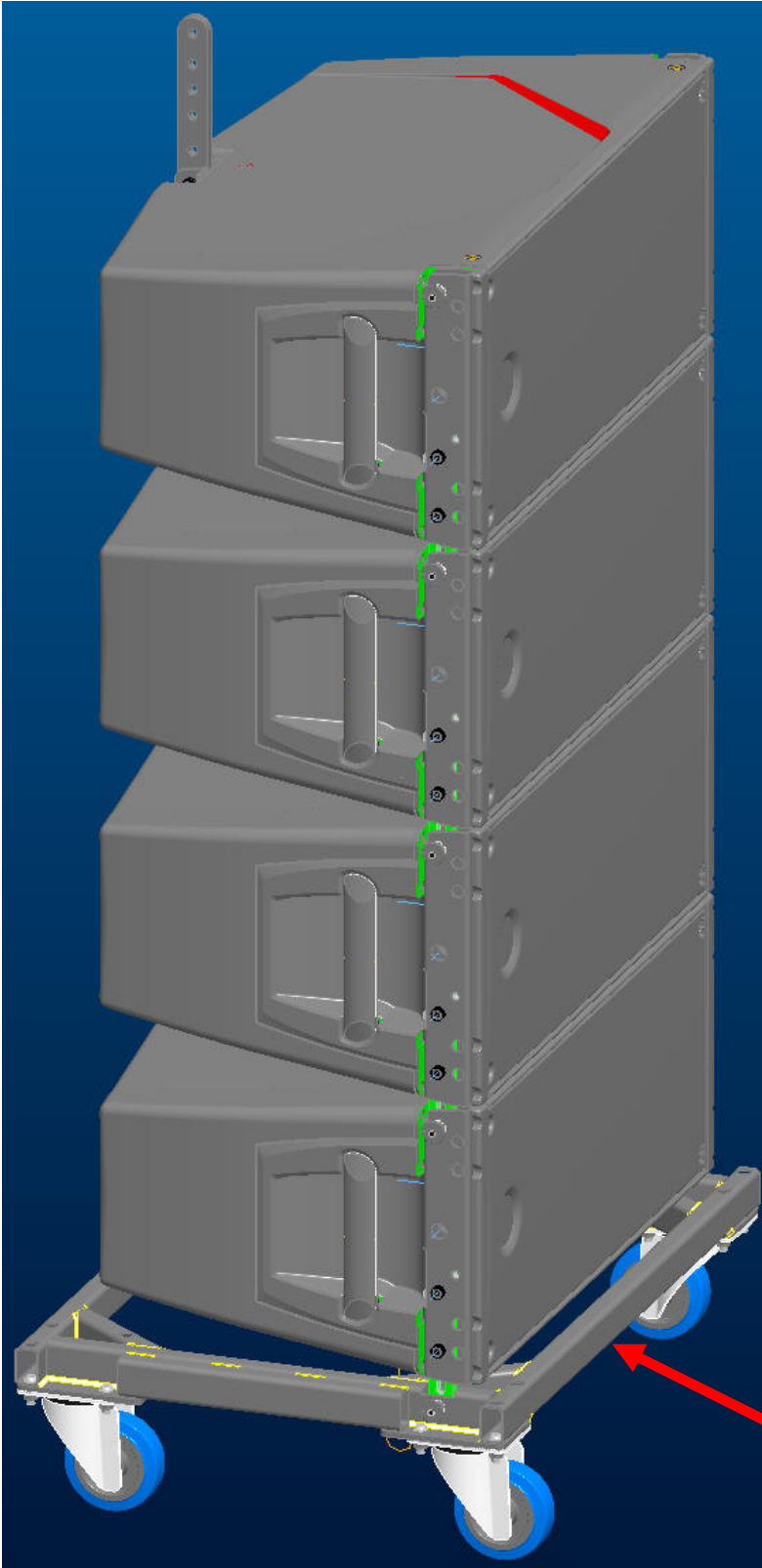
13360221 FLYBAR PICKUP HDL20-18



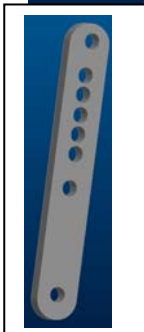
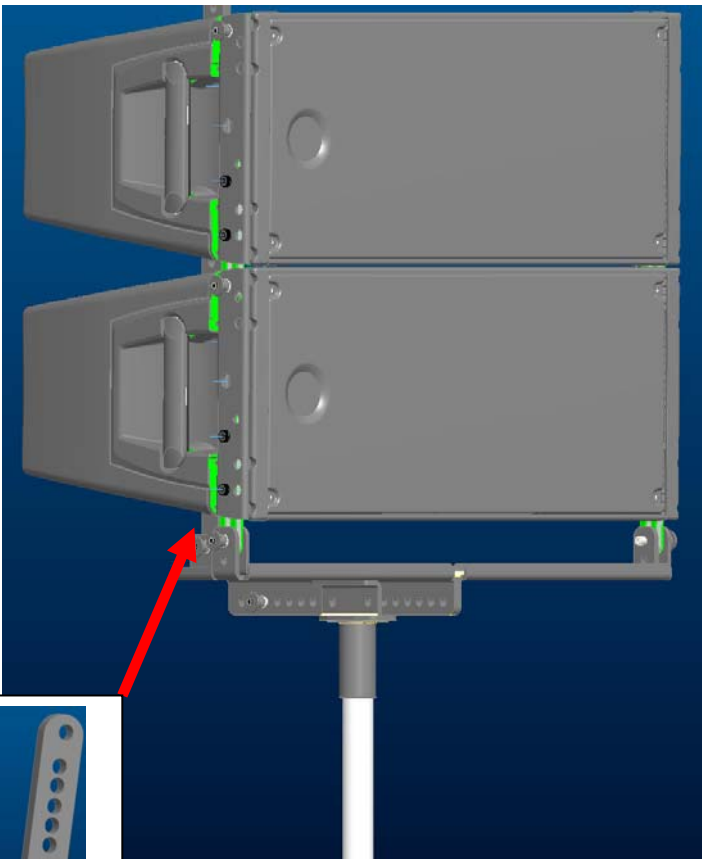
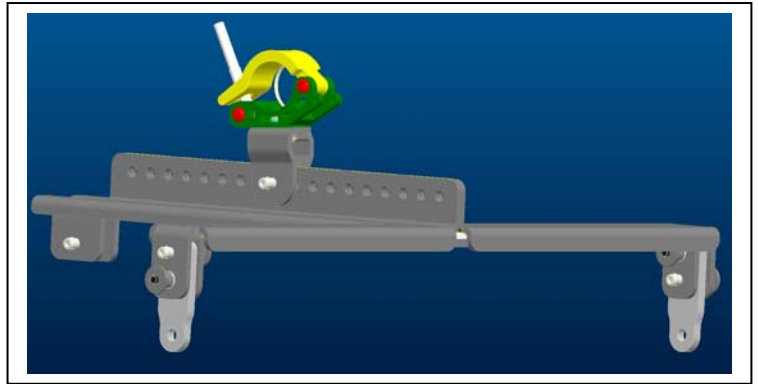
13360225 LINK BAR HDL18 TO HDL20



13360223 KART 4XHDL20

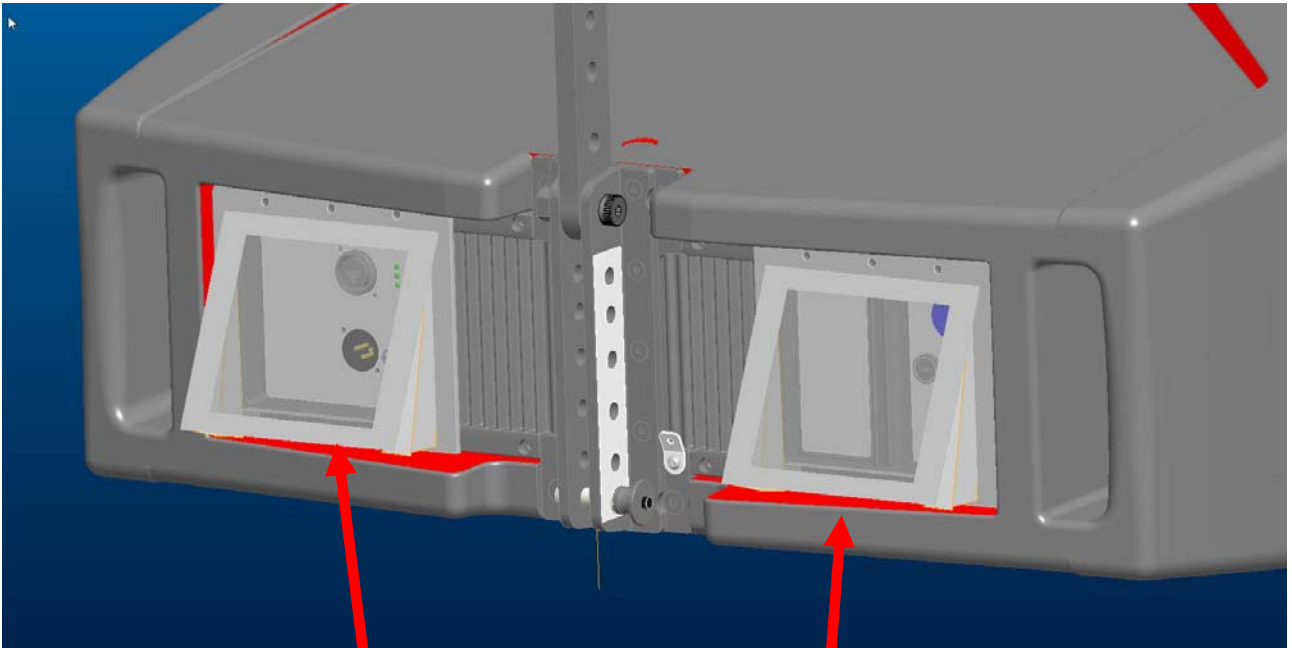


13360229 LIGHT BAR HDL20-A

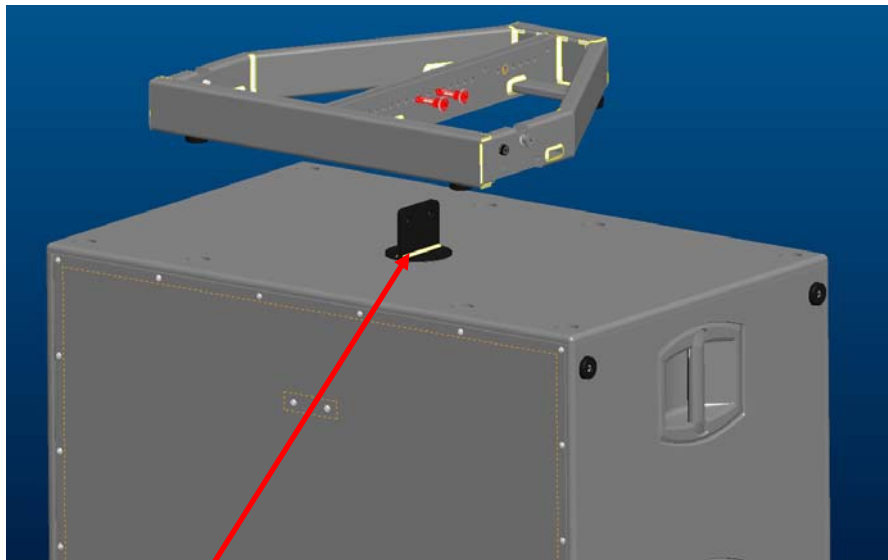


STK BAR HDL20 SUPPLIED WITH THE LIGHT BAR

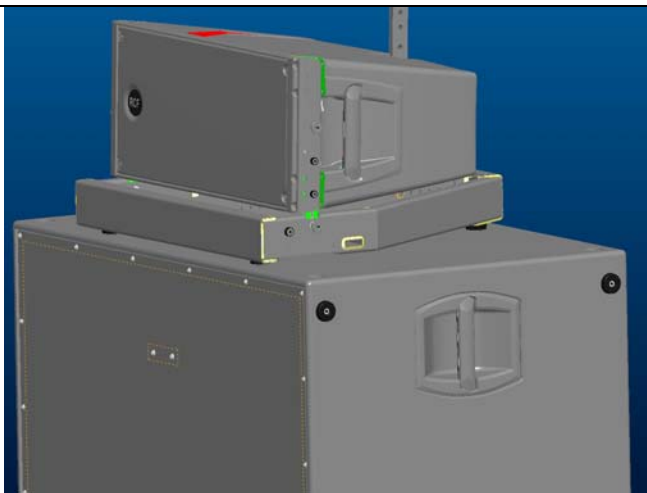
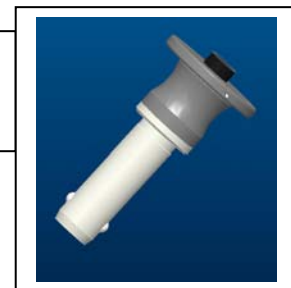
13360228 RAIN COVER HDL20-18



13360231 CONNECTION BRACKET SUB8006-AS



COMPLETE OF CONNECTION
QUICK LOCK PINS



SUB 8006-AS
HORIZONTAL POSITION



SUB8006-AS VERTICAL
POSITION