

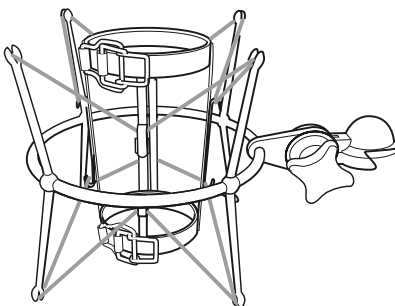
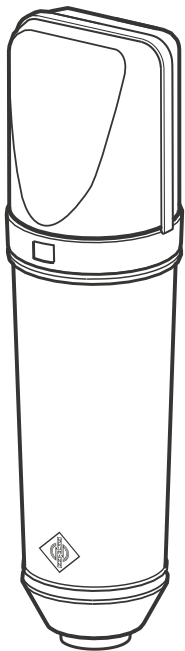
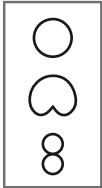


▶▶ NEUMANN.BERLIN

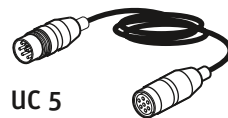
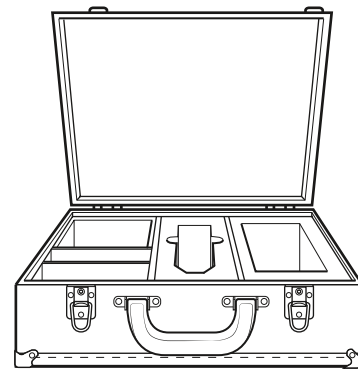
- ▶ U 67
- ▶ NU 67 V



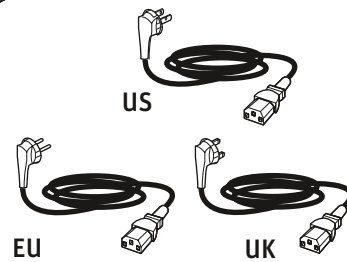
U 67



Z 48



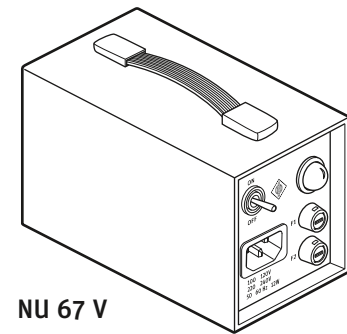
UC 5



EU

US

UK



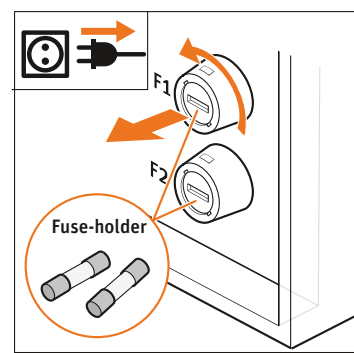
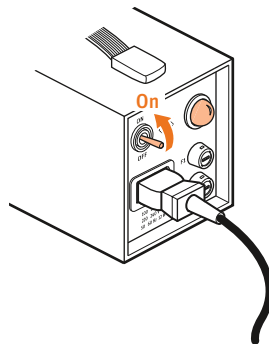
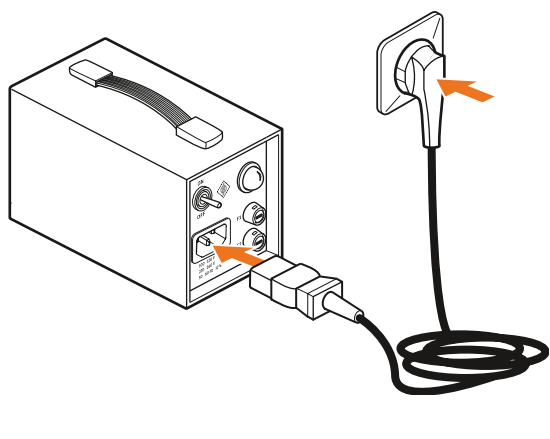
NU 67 V

PRINTED IN GERMANY · 06/18 · 575864/A02

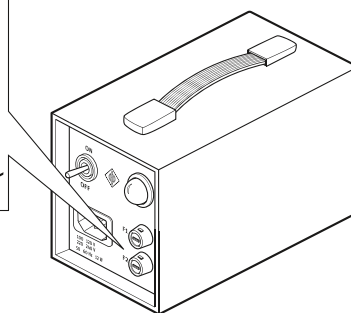
Quick Guide
Kurzanleitung
Guide rapide
Guía rápida
Guía de inicio rápido
Pikaohje
Γρήγορος οδηγός
Kısa Kılavuz
Краткая инструкция

Guia rápido
Beknopte handleiding
Krótka instrukcja obsługi
Snabbguide
Kort vejledning
快速指南
クイックガイド
퀵 가이드

GEORG NEUMANN GMBH · LEIPZIGER STR. 112 · 10117 BERLIN · GERMANY
TEL +49 (0)30 / 41 77 24 -0 · FAX -50
HEADOFFICE@NEUMANN.COM · WWW.NEUMANN.COM

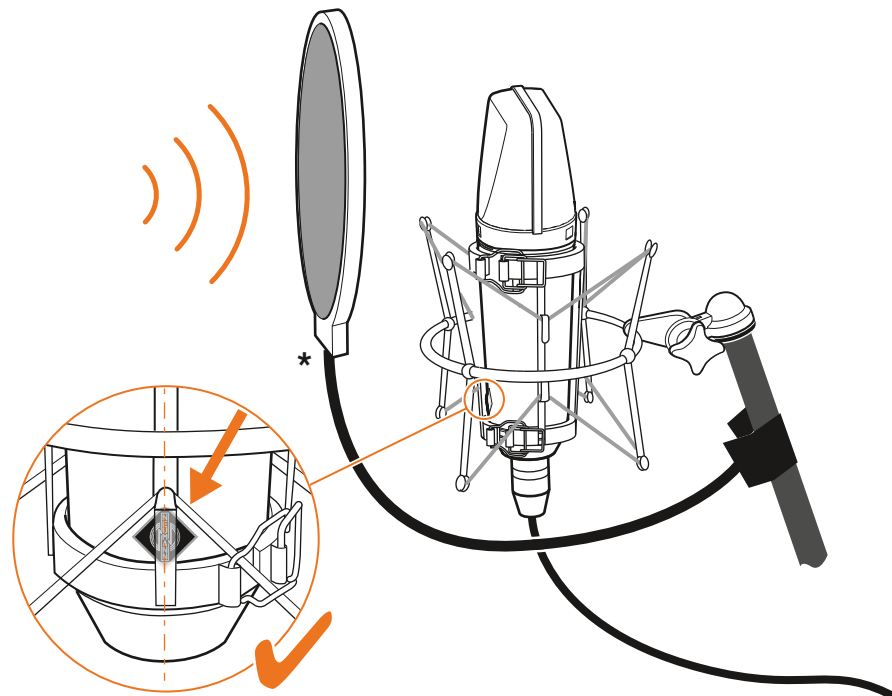
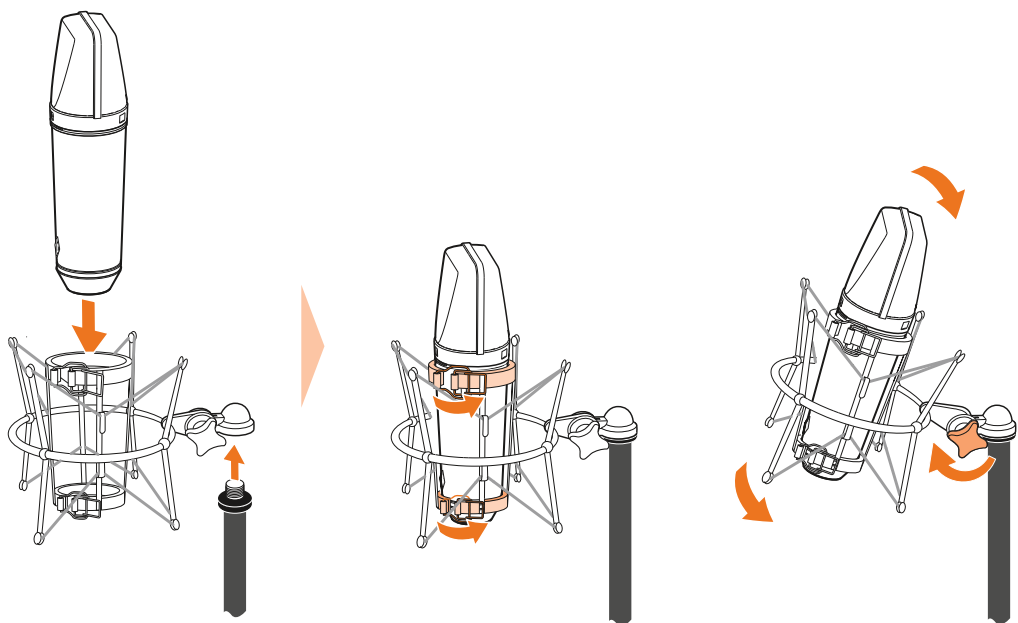


Fuse-holder

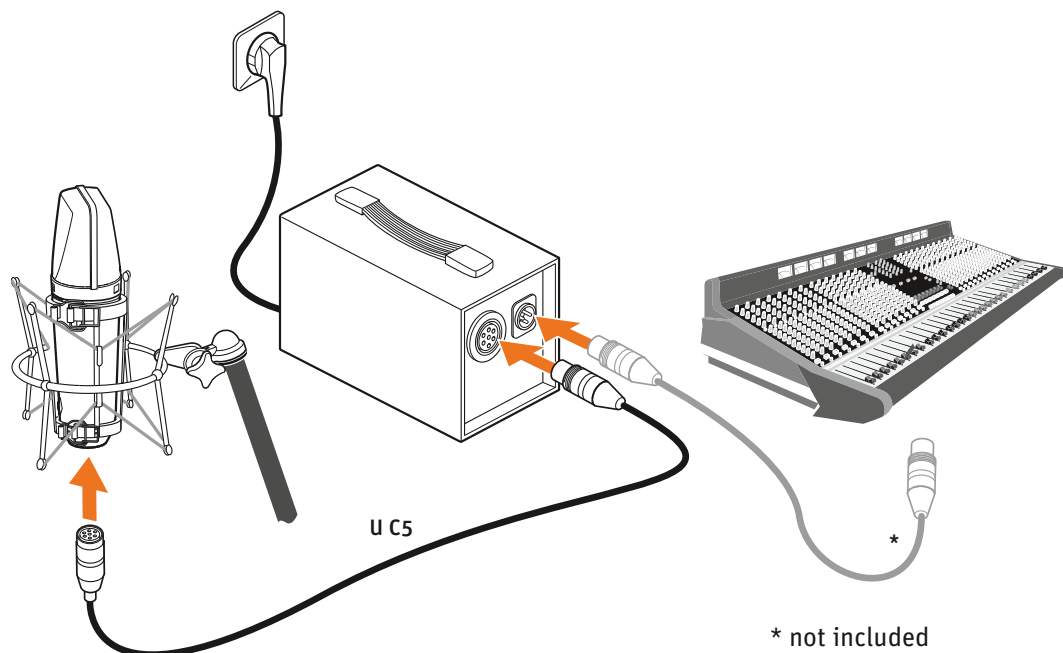
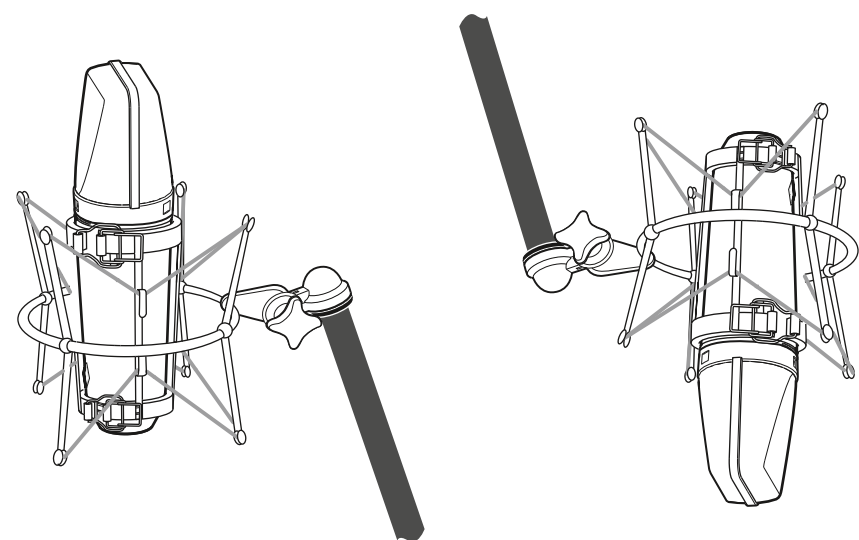


Instruction manual | Bedienungsanleitung | Notice d'emploi | Istruzioni per l'uso | Instrucciones de manejo | Manual de instruções | Gebruiksaanwijzing | Instrukcja obsługi | Bruksanvisning | Betjeningsvejledning | Käyttöohje | Οδηγίες λειτουργίας | Kullanım kılavuzu | Инструкция по эксплуатации | 使用说明书 |取扱説明書 | 사용 설명서 |

www.neumann.com | U 67 | NU 67 V



*optional



UC 5

* not included

Specifications U 67	
Acoustic operating principle	Pressure gradient transducer
Directional pattern	omnidirectional/cardioid/figure-8
Frequency response	20 Hz - 20 kHz
Sensitivity	15/24/16 mV/Pa ± 1 dB
Rated impedance	200 Ω
Rated load impedance	1000 Ω
Signal-to-noise ratio, CCIR	62/66/63 dB
Signal-to-noise ratio, A-weighted	73/77/74 dB
Equivalent noise level, CCIR	32/28/31 dB
Equivalent noise level, A-weighted	21/17/20 dB-A
Maximum SPL for THD 0.5%	114 dB (cardioid)
Maximum SPL for THD 0.5 % with pre-attenuation	124 dB
Maximum output voltage	250 mV
Power supply	NU 67 V
Vacuum tube type	Pentode EF 86, selected
Plate voltage	+210 V ± 2%
Plate current	≤ 1 mA
Heater voltage	-6.3 V ± 2%
Heater current	≤ 270 mA
Tube warm up time	approx. 1 minute

Specifications U 67	
Required connectors	
Microphone	special 7 pin connector
Power supply unit - output	XLR 3 F
Weight	560 g
Diameter	56 mm
Length	200 mm
Specifications NU 67 V	
Supply voltage	100 - 120 V or 220 - 240 V
Power consumption	max. 12 W
Fuse	Ø 5 mm x 20 mm 500 mA/Slow-Blow
Lamp	E10 24V/2W
Emitted DC voltage	
Plate voltage	+210 V
Heater voltage	-6,3 V
Dimensions (LxWxH)	
	220 mm x 100 mm x 120 mm
Weight	
	2 kg

