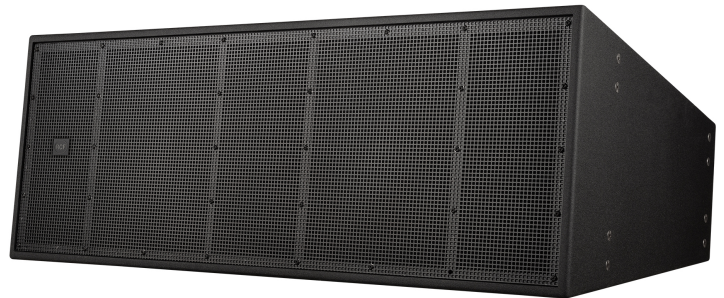


HVL 15-P

LONG THROW THREE-WAY SYSTEM

DESCRIPTION

HVL 15-P is a three-way, bi-amp loudspeaker system for long-throw applications, outfitted with 2 x 15" woofers, 2 x 10" midranges, and 2 x 4.0" voice coil, titanium dome compression drivers. Equipped with the latest generation of RCF precision transducers with powerful neodymium magnets, HVL 15-P provides very high output and accurate sound and voice reproduction. The system, driven in bi-amped mode, can produce a max SPL of 145 dB MHF, handling 1000 W RMS (LF) + 900 W RMS (MHF). An internal passive filter provides crossover and equalization between the midranges and the compression drivers. The horizontal coverage is 45°, and the vertical coverage is 15°. A heavy-duty, weatherproof barrier strip provides connections. The cabinet is made of Baltic birch plywood. The finishing is a waterproof, textured, polyurea coating. The grille is in epoxy coated heavy-duty steel with open-cell fibers and water repellent woven-fabric backing.



FEATURES

- 1000 W (LF) + 900 W (MHF) AES power handling
- 148 dB max SPL
- 43 ÷ 18000 Hz frequency range
- 45° x 15° coverage angles
- Fully equipped with neodymium transducers
- Bi-amped system with passive filter between MF and HF
- Horn Loaded symmetric design
- Baltic birch plywood cabinet and steel grille
- Weatherproof treatment

TECHNICAL SPECIFICATIONS

Acoustical specifications	Frequency Response (-10dB):	43 Hz ÷ 18000 Hz
	Frequency Response (-3dB):	59 Hz ÷ 13000 Hz
	Max SPL @ 1m:	148 dB
	Horizontal coverage angle:	45°
	Vertical coverage angle:	15°
	Directivity index Q:	18
	System Sensitivity:	111 dB
Power section	Power Handling:	1900 W RMS
	Peak Power Handling:	7600 W PEAK
	Recommended Amplifier:	3800 W
Transducers	Compression Driver:	2 x 1.4" neo, 4.0" v.c
	Nominal Impedance:	16 ohm
	Input Power Rating:	300 W AES, 600 W PROGRAM POWER
	Sensitivity:	110 dB, 1W @ 1m
	Midrange:	2 x 10" neo, 3.0" v.c
	Nominal Impedance:	8 ohm
	Input Power Rating:	600 W AES, 1200 W PROGRAM POWER
	Sensitivity:	112 dB, 1W @ 1m
	Woofer:	2 x 15" neo, 3.5" v.c
	Nominal Impedance:	8 ohm
	Input Power Rating:	1000 W AES, 2000 W PROGRAM POWER
Sensitivity:	97 dB, 1W @ 1m	
Input/Output section	Input connectors:	Screw Terminals
	Output connectors:	Screw Terminals
Standard compliance	CE marking:	Yes
Physical specifications	Cabinet/Case Material:	Baltic birch plywood
	Hardware:	n° 8 x M20 on each side panel n° 8 x M20 on top and bottom panel
	Grille:	Steel
	Color:	White - RAL 9010
Size	Height:	525 mm / 20.67 inches
	Width:	1382 mm / 54.41 inches
	Depth:	815 mm / 32.09 inches
	Weight:	115 kg / 253.53 lbs
Shipping informations	Package Height:	920 mm / 36.22 inches
	Package Width:	1405 mm / 55.31 inches
	Package Depth:	545 mm / 21.46 inches
	Package Weight:	125 kg / 275.58 lbs



PART NUMBER

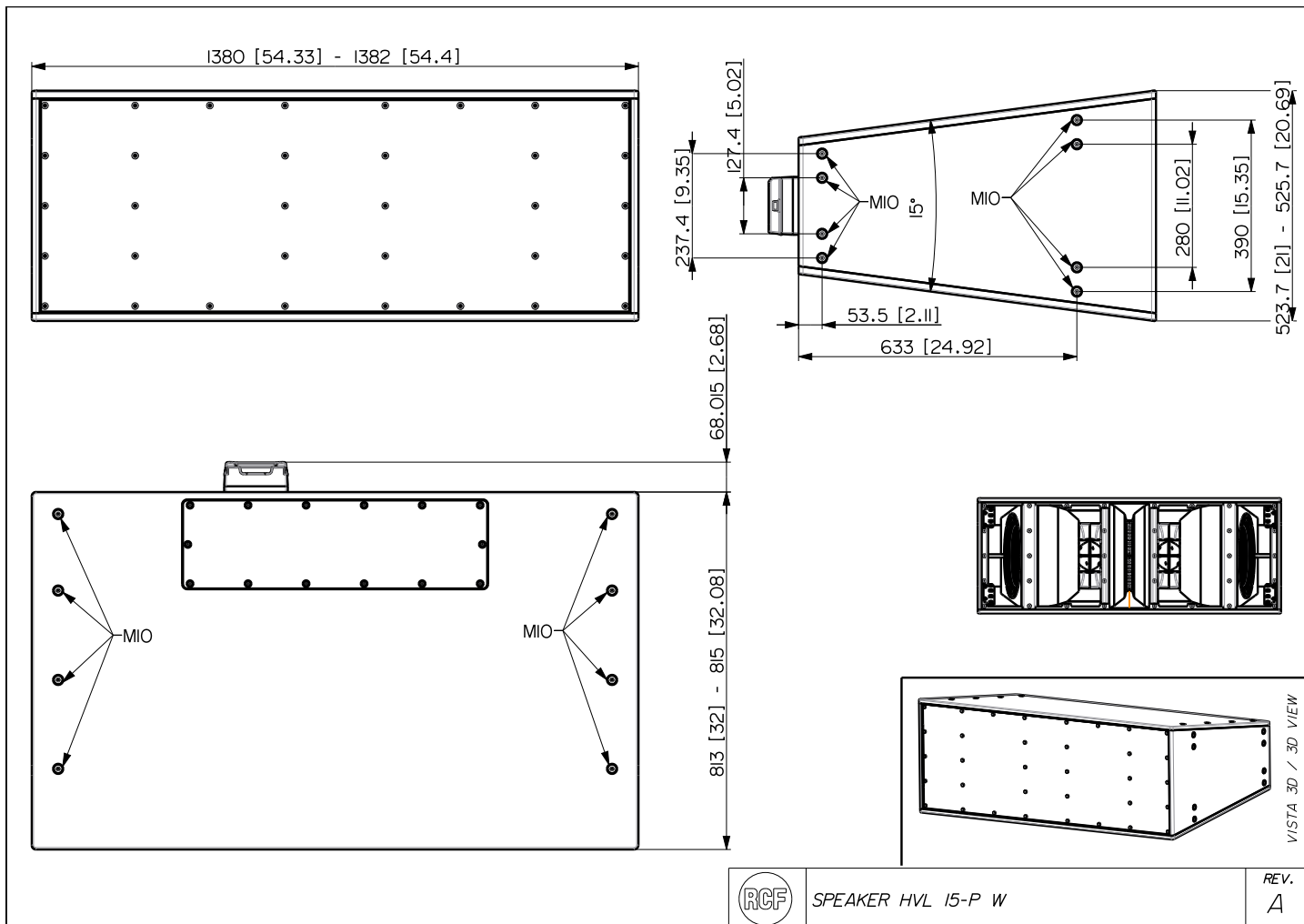
- **13000746**

HVL 15-P

- **13000565**

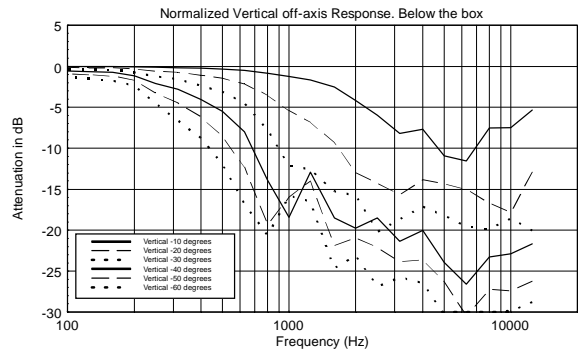
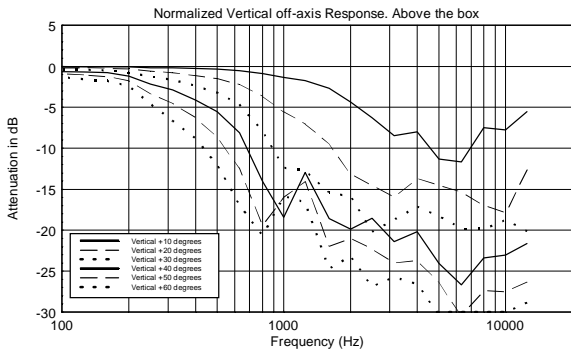
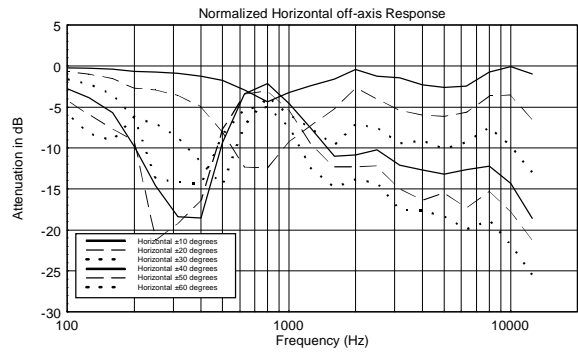
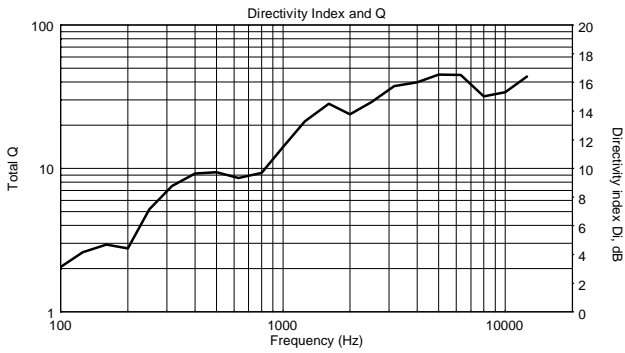
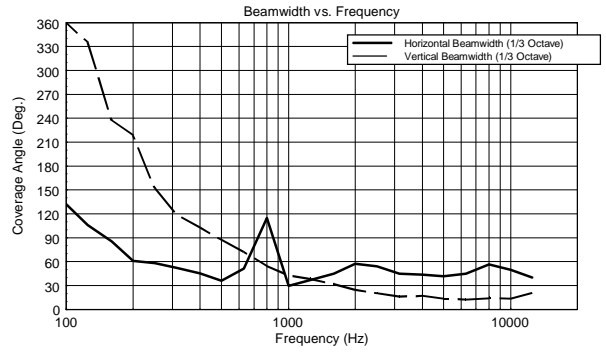
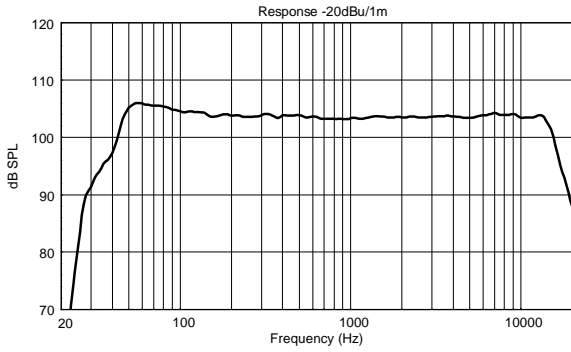
HVL 15-P W

EAN 8024530017590

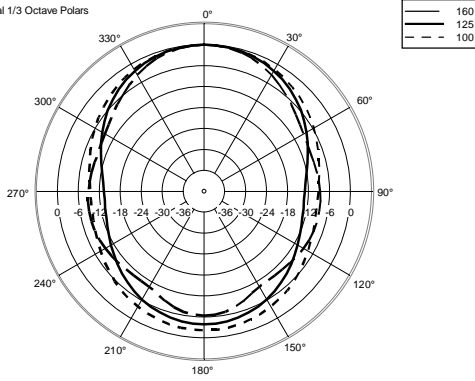


SPEAKER HVL 15-P W

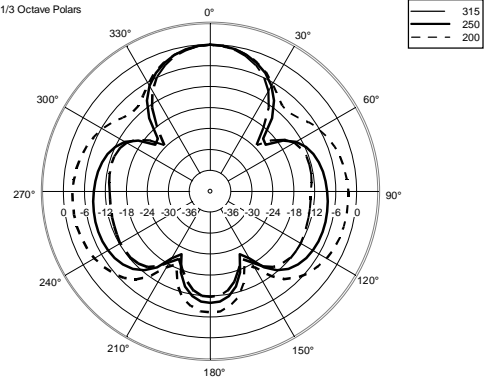
REV.
A



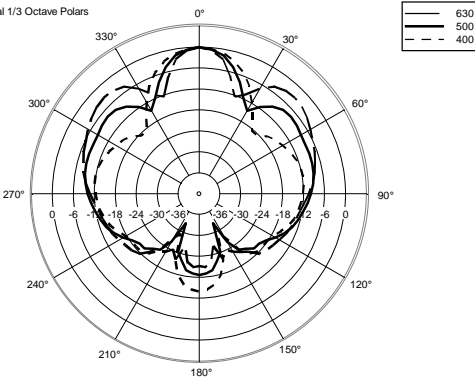
Horizontal 1/3 Octave Polars



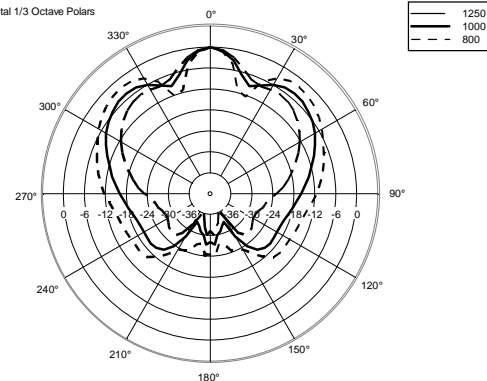
Horizontal 1/3 Octave Polars



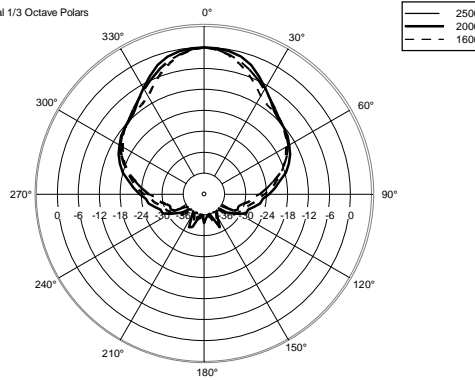
Horizontal 1/3 Octave Polars



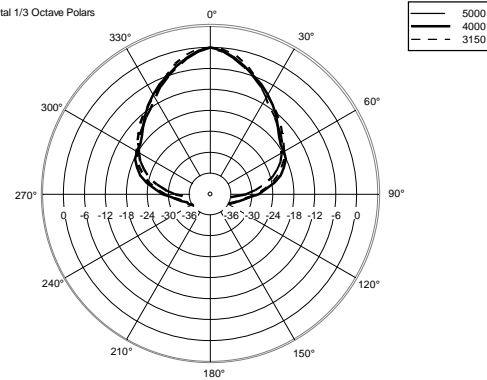
Horizontal 1/3 Octave Polars



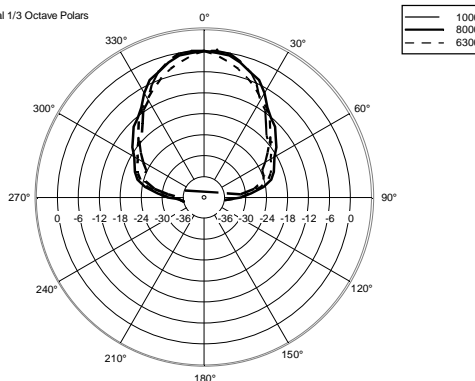
Horizontal 1/3 Octave Polars



Horizontal 1/3 Octave Polars



Horizontal 1/3 Octave Polars



Horizontal One Octave Polars

