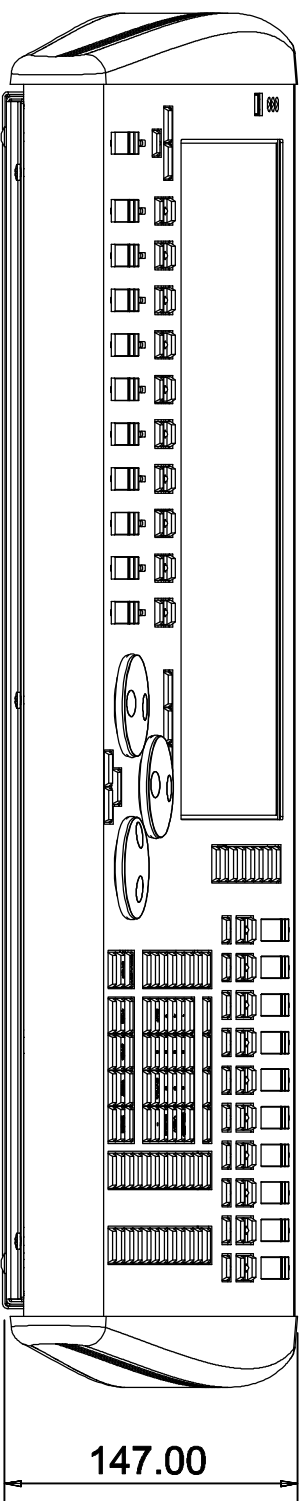
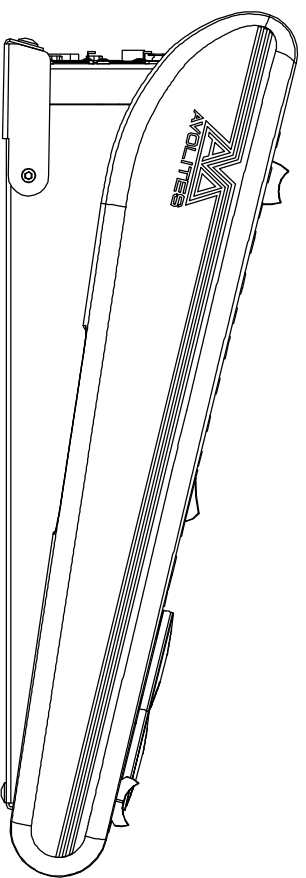
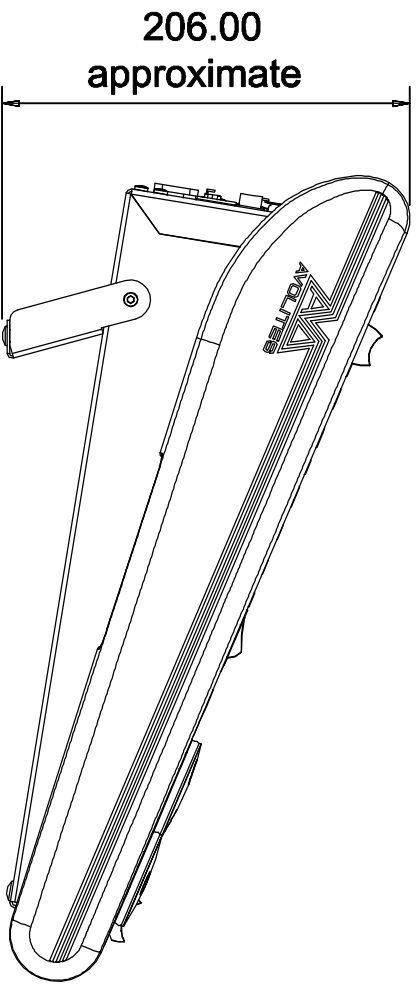


675.00

435.00



147.00



206.00
approximate

All dimensions ± 2mm
Copyright Avolites Ltd. Written permission from Avolites Ltd is required to reproduce this drawing. Do not copy or in any other way alter this drawing.
Title
Dwg Number
Rev

Tiger Touch Pro

83-0000

B

Console weight:

15.0 kg

Foam packed weight:

17.0 kg

Cardboard box dimensions:

750 x 620 x 300

Flight Case weight:

13.0 kg

Flight Case dimensions:

735 x 600 x 260

Designed
J B Toby

Creation Date



AVOLITES
Avolites Ltd
184 Park Avenue
London, NW10 7XJ
England

Drawn
J Dereszewicz

Creation Date

17/11/09