

1

A

B

C

D

E

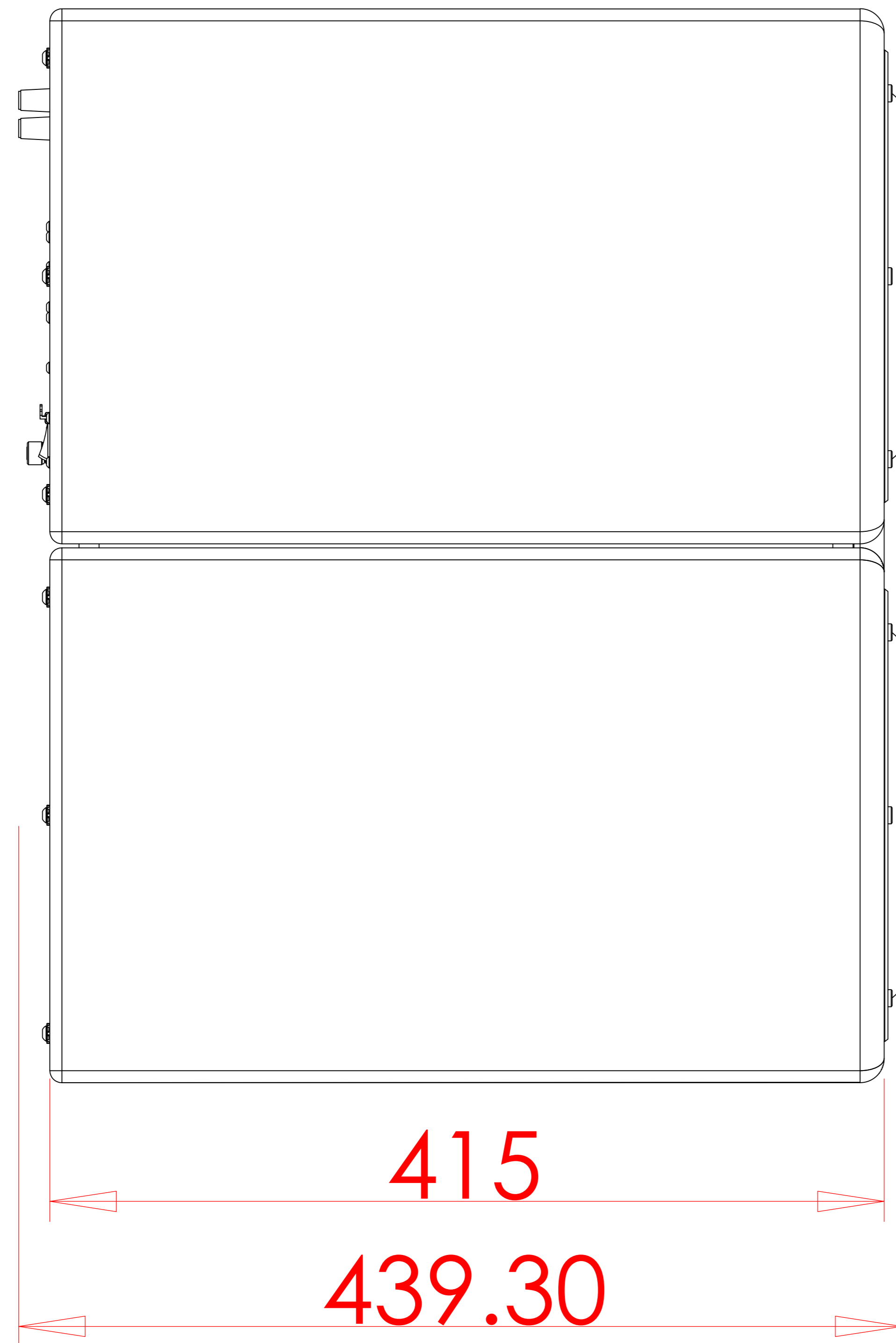
D

E

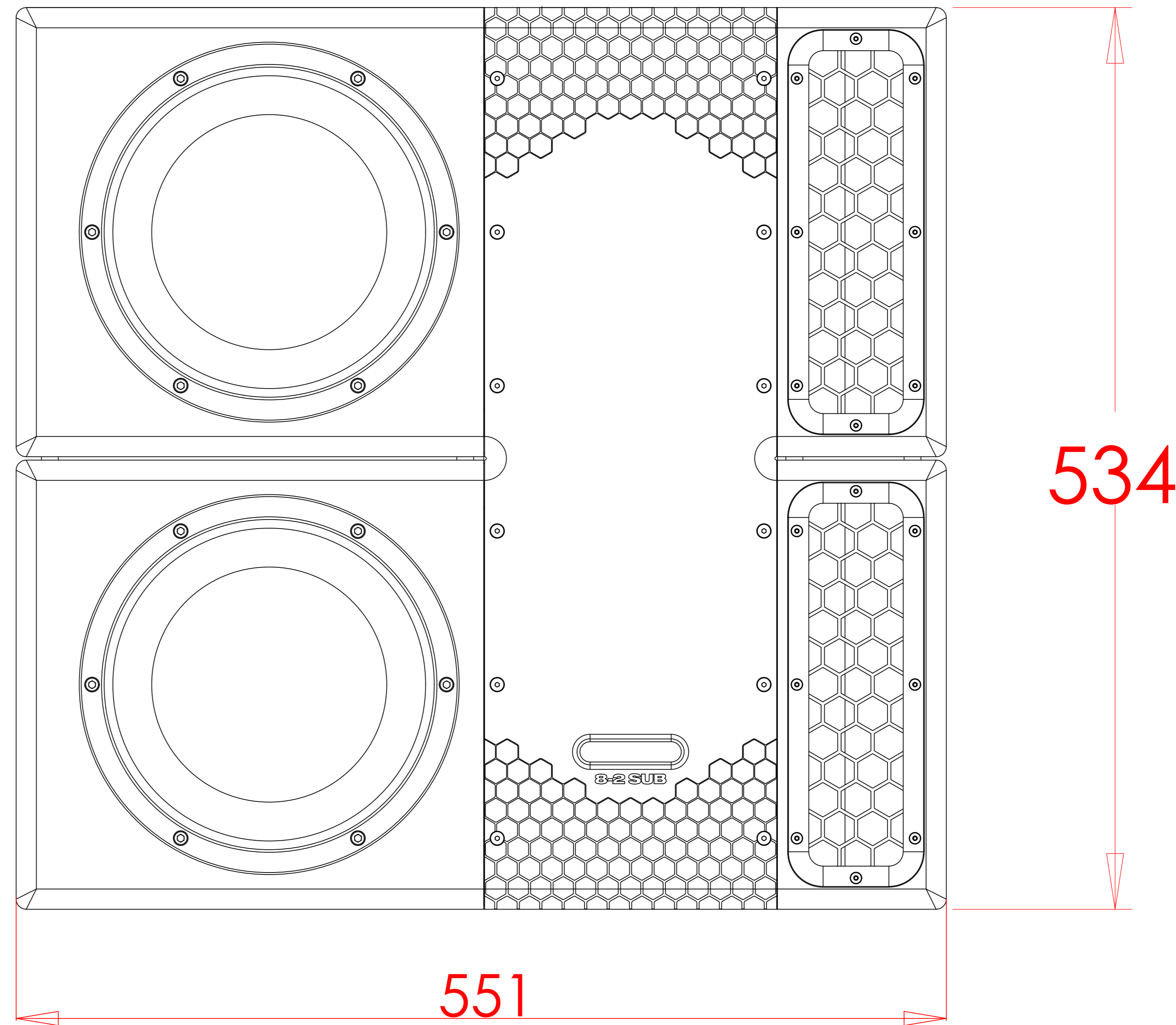
2

Product Weight:  
PMC8-2 SUB - 37.5KG

3



4



5

6

7

8



THE PROFESSIONAL MONITOR COMPANY  
 Holme Court  
 Biggleswade, Bedfordshire SG18 9ST  
 Tel: 01767 686 300

SIZE	TITLE	5			
A3 PROJECT	PMC 8-2 SUB	4			
SCALE	Studio	3			
1:10	PART NO. REV.	2			
SHEET	All Tolerances +/-0.2mm Unless otherwise stated	1	PM	Dimensions	27/08/21
1 of 1	All Dimensions in mm	ISS.	INIT.	DESCRIPTION	DATE APP.