

# ART 915-A

## PROFESSIONAL ACTIVE SPEAKER

### DESCRIPTION

ART 915-A is masterfully engineered to deliver stellar audio performance and versatility for intensive audio applications.

The combination of a 1.75" compression driver, 15" woofer, two-channel 2100W amplifier, and a constant directivity True Resistive Waveguide produces coherent 100° x 60° coverage for the listening area with up to 131 dB SPL, distortion-free sound.

Used as a stand-alone speaker for a FOH system, satellite (with subwoofer), stage monitor, or flown, the ART 915-A packs high-performance and reliability in a compact enclosure. Designed to be the most flexible loudspeaker in its class, it also features multiple rigging points for fixed installation. Merging RCF proprietary FiRPHASE and Bass Motion Control DSP processing, perfectly tuned for each model, the audience will experience absolute clarity and deep, powerful bass response.

The sleek cabinet uses a special polypropylene composite material with an M-brace internal reinforcement, making it easy



### FEATURES

- Up to 131 dB Sound Pressure Level
- 2100W Class-D Bi-Amplification
- 50-20000 Hz linear frequency response
- 1.75" Compression Driver
- 15" Woofer
- FiRPHASE zero degrees phase technology
- Bass Motion Control woofer excursion management

## TECHNICAL SPECIFICATIONS

<b>Acoustical specifications</b>	Frequency Response:	45 Hz ÷ 20000 Hz
	Max SPL @ 1m:	131 dB
	Horizontal coverage angle:	100°
	Vertical coverage angle:	60°
<b>Transducers</b>	Compression Driver:	1 x 1.0", 1.75" v.c
	Woofers:	15", 2.5" v.c
<b>Input/Output section</b>	Input signal:	bal/unbal
	Input connectors:	XLR, Jack
	Output connectors:	XLR
	Input sensitivity:	-2 dBu/+4 dBu
<b>Processor section</b>	Crossover Frequencies:	1800 Hz
	Protections:	Thermal, RMS
	Limiter:	Soft Limiter
	Controls:	Linear, Boost, Stage, Volume
<b>Power section</b>	Total Power:	2100 W Peak
	High frequencies:	700 W Peak
	Low frequencies:	1400 W Peak
	Cooling:	Convection
	Connections:	VDE
<b>Standard compliance</b>	CE marking:	Yes
<b>Physical specifications</b>	Cabinet/Case Material:	PP Composite
	Hardware:	1 x M10 Top, 1 x M10 each side
	Handles:	1 Top, 1 each side
	Pole mount/Cap:	Yes
	Grille:	Steel
	Color:	Black
<b>Size</b>	Height:	716.6 mm / 28.21 inches
	Width:	415 mm / 16.34 inches
	Depth:	410 mm / 16.14 inches
	Weight:	22 kg / 48.5 lbs
<b>Shipping informations</b>	Package Height:	760 mm / 29.92 inches
	Package Width:	475 mm / 18.7 inches
	Package Depth:	470 mm / 18.5 inches
	Package Weight:	24.2 kg / 53.35 lbs



**PART NUMBER**

- **13000679**

ART 915-A

115V

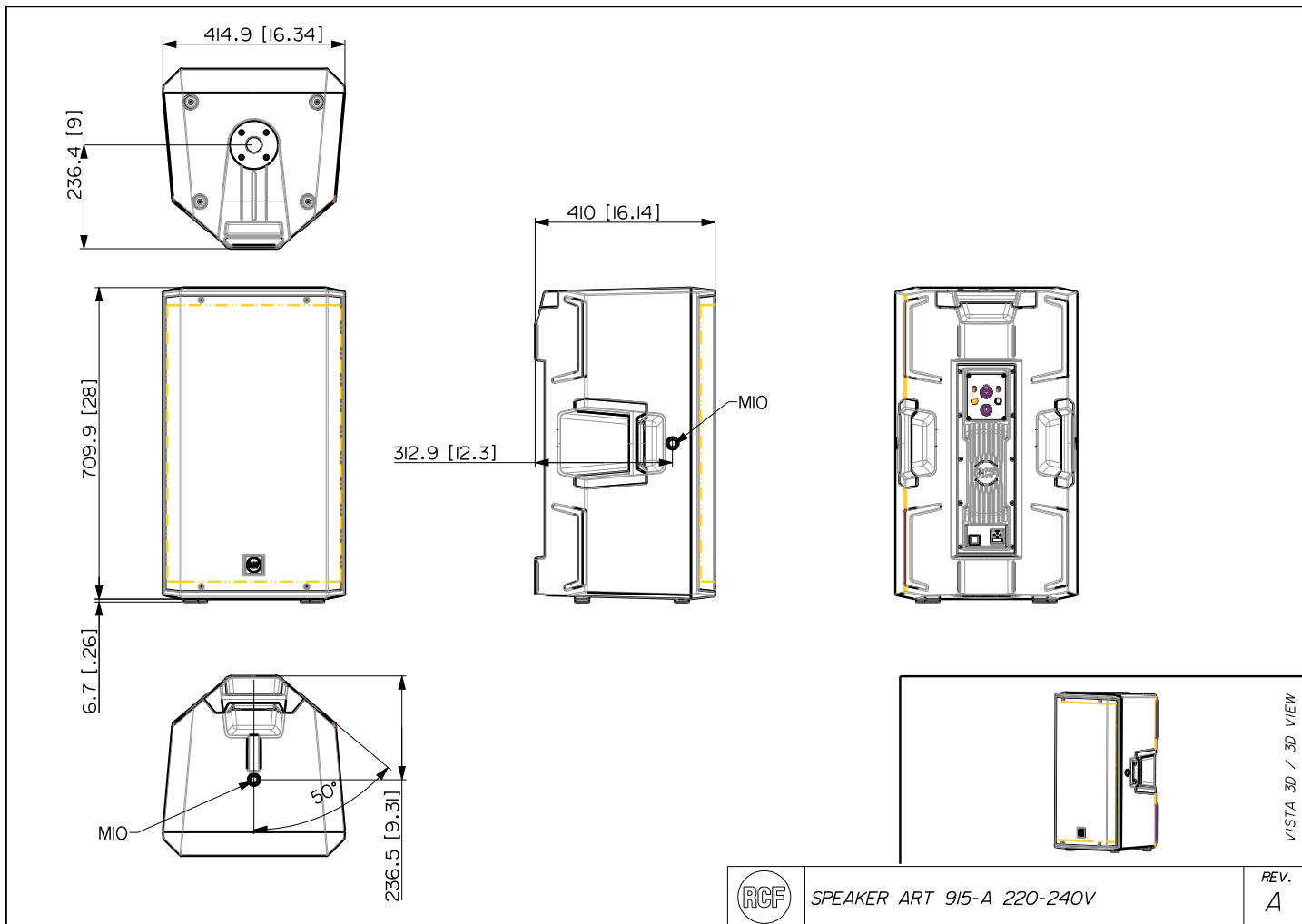
EAN 8024530019273

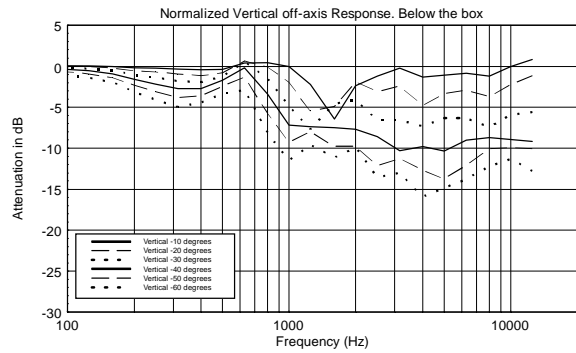
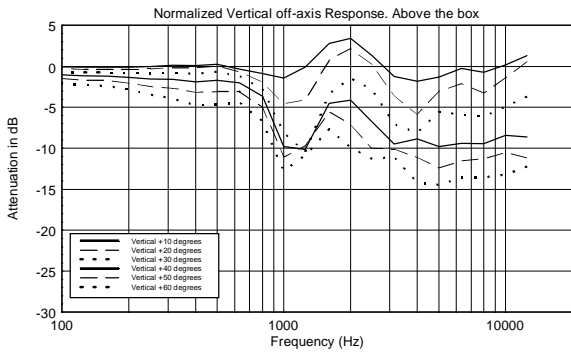
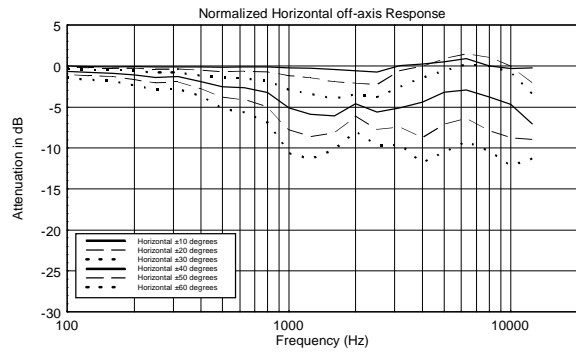
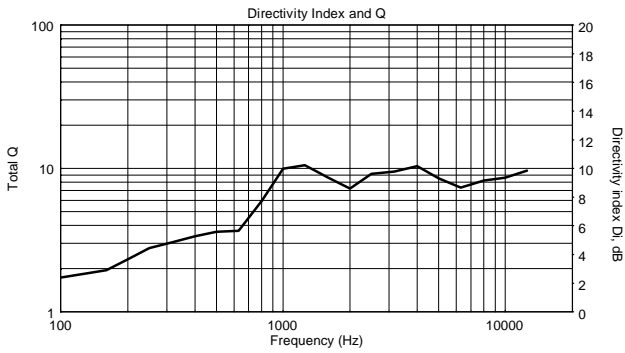
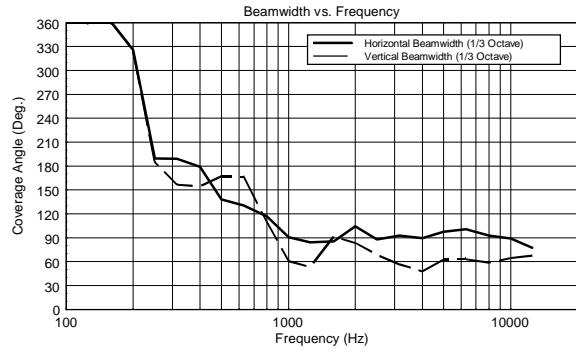
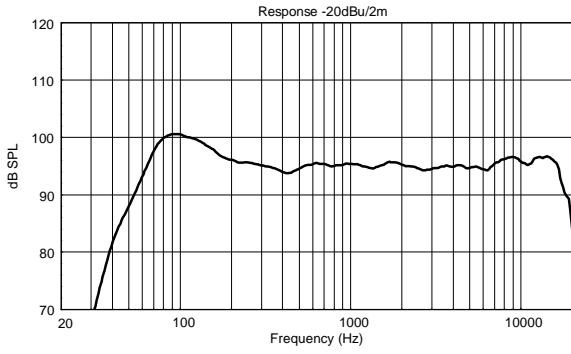
- **13000656**

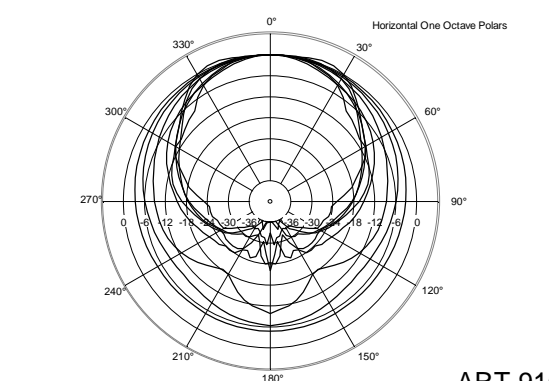
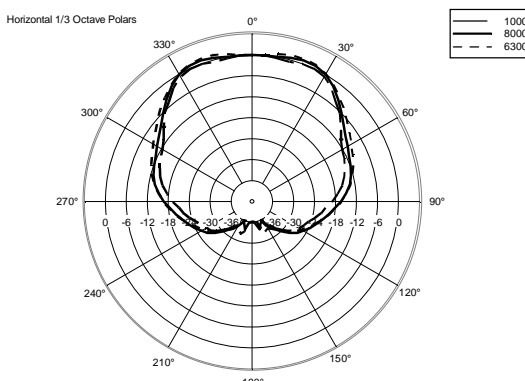
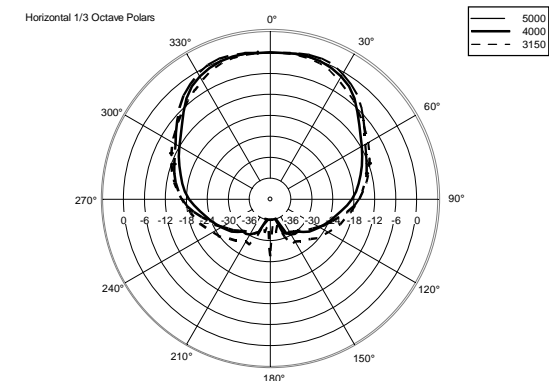
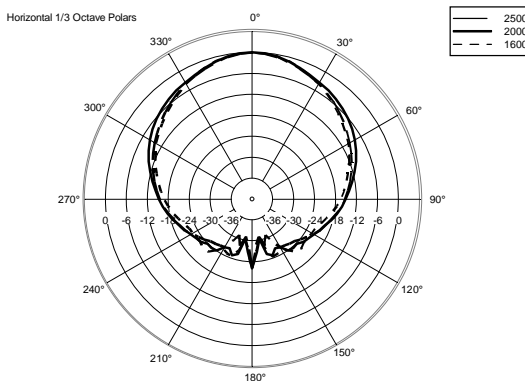
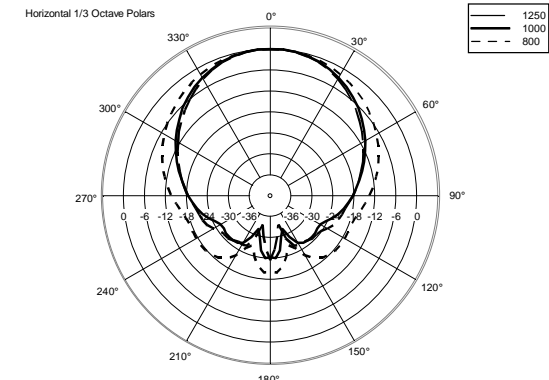
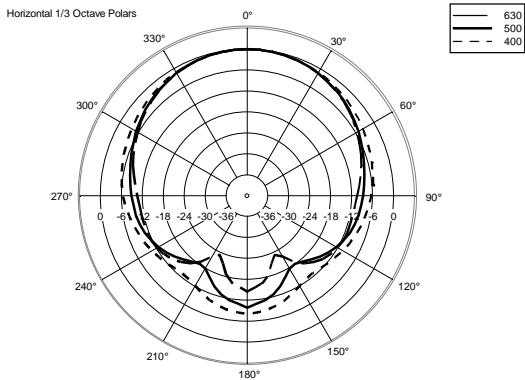
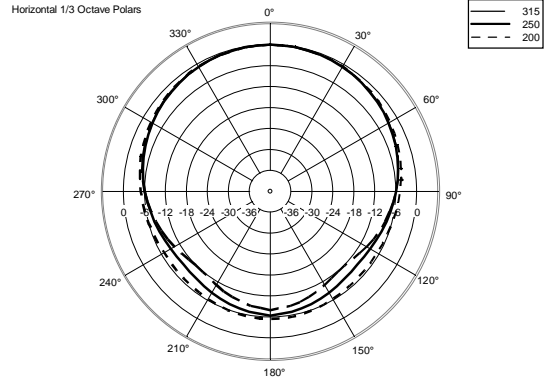
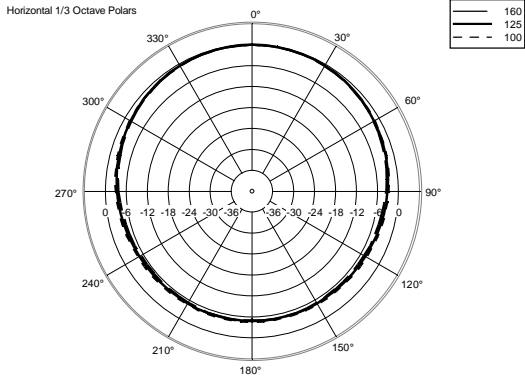
ART 915-A

220-240V

EAN 8024530019129







**ACCESSORIES**

AC PMA - POLE MOUNT

PART NUMBER **13360034**  
EAN: 8024530007713

AC PM-M20

PART NUMBER **13360067**  
EAN: 8024530014599

AC PMX POLE MOUNT M20

PART NUMBER **13360232**  
EAN: 8024530010058

AC PRO-FS PROFESS. LOCKING FLOOR STAND

PART NUMBER **13360109**  
EAN: 8024530006471

AC PRO-PM PROFESS. LOCKING POLE MOUNT

PART NUMBER **13360110**  
EAN: 8024530006488

COVER CVR ART 915

PART NUMBER **13360478**  
EAN: 8024530018856

FLYING BRACKET FL-BR ART 915

PART NUMBER **13360481**  
EAN: 8024530019174

HORIZONTAL BRACKET H-BR ART 915

PART NUMBER **13360479**  
EAN: 8024530019198

VERTICAL BRACKET V-BR ART 915

PART NUMBER **13360480**  
EAN: 8024530019181