



▶ TLM 67



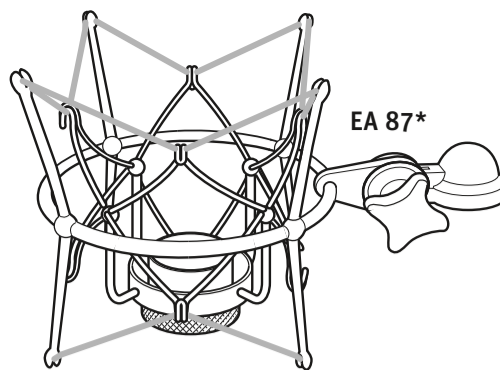
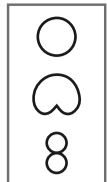
PUBL. 06/18 · 575882/A01

Quick Guide  
 Kurzanleitung  
 Guide rapide  
 Guida rapida  
 Guía de inicio rápido  
 Pikaohje  
 Γρήγορος οδηγός  
 Kısa Kılavuz  
 Краткая инструкция

Guia rápido  
 Beknopte handleiding  
 Krótka instrukcja obsługi  
 Snabbguide  
 Kort vejledning  
 快速指南  
 クイックガイド  
 퀵 가이드

GEORG NEUMANN GMBH · LEIPZIGER STR. 112 · 10117 BERLIN · GERMANY  
 TEL +49 (0)30 / 41 77 24 -0 · FAX -50  
 HEADOFFICE@NEUMANN.COM · WWW.NEUMANN.COM

TLM 67



EA 87\*

SG 287\*



\*optional accessory  
 (for details on further optional accessories see [www.neumann.com](http://www.neumann.com))



Instruction manual | Bedienungsanleitung | Notice d'emploi | Istruzioni per l'uso | Instrucciones de manejo | Manual de instruções | Gebruiksaanwijzing | Instrukcja obsługi | Bruksanvisning | Betjeningsvejledning | Käyttöohje | Οδηγίες λειτουργίας | Kullanım kılavuzu | Инструкция по эксплуатации | 使用说明书 |取扱説明書 | 사용 설명서 |

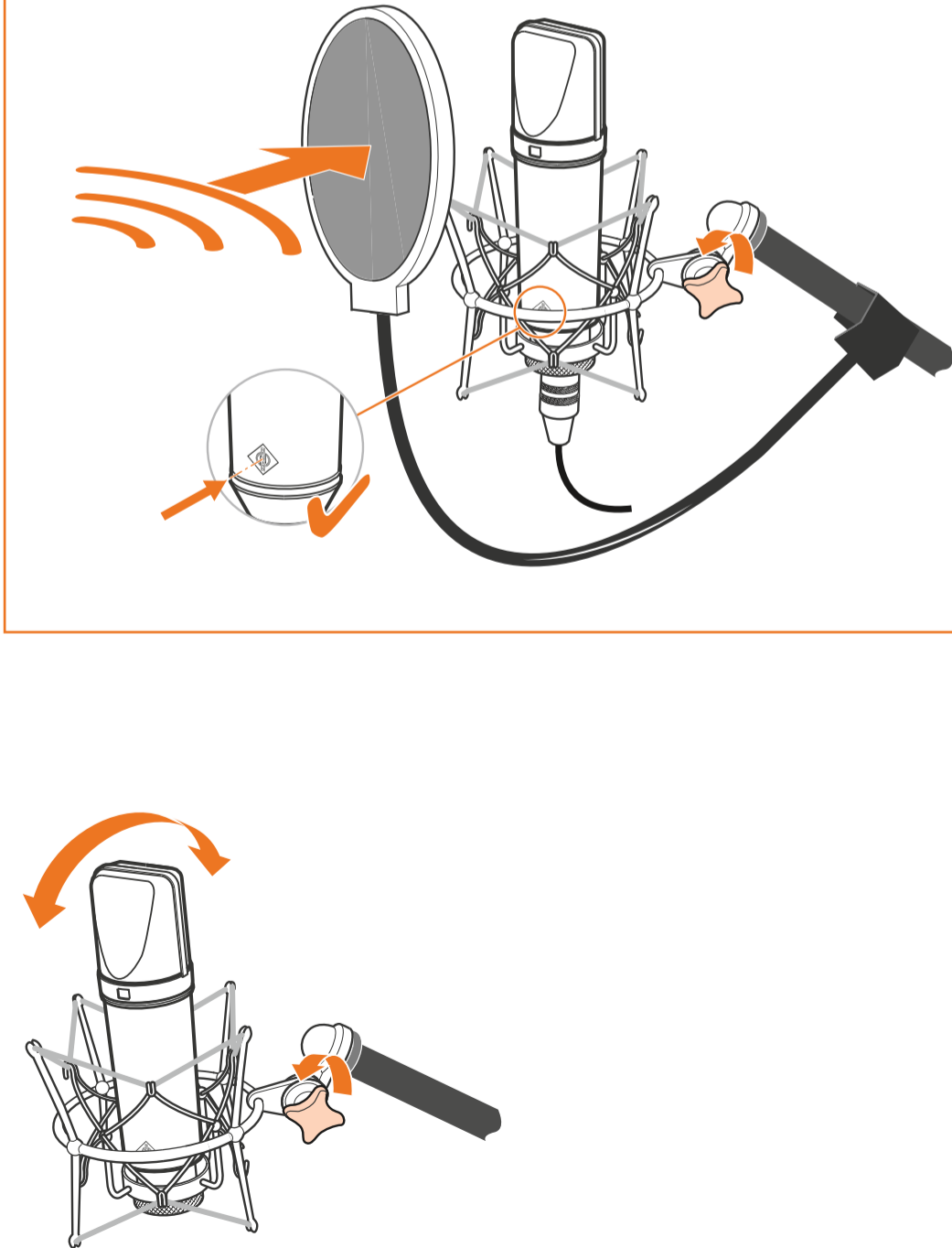
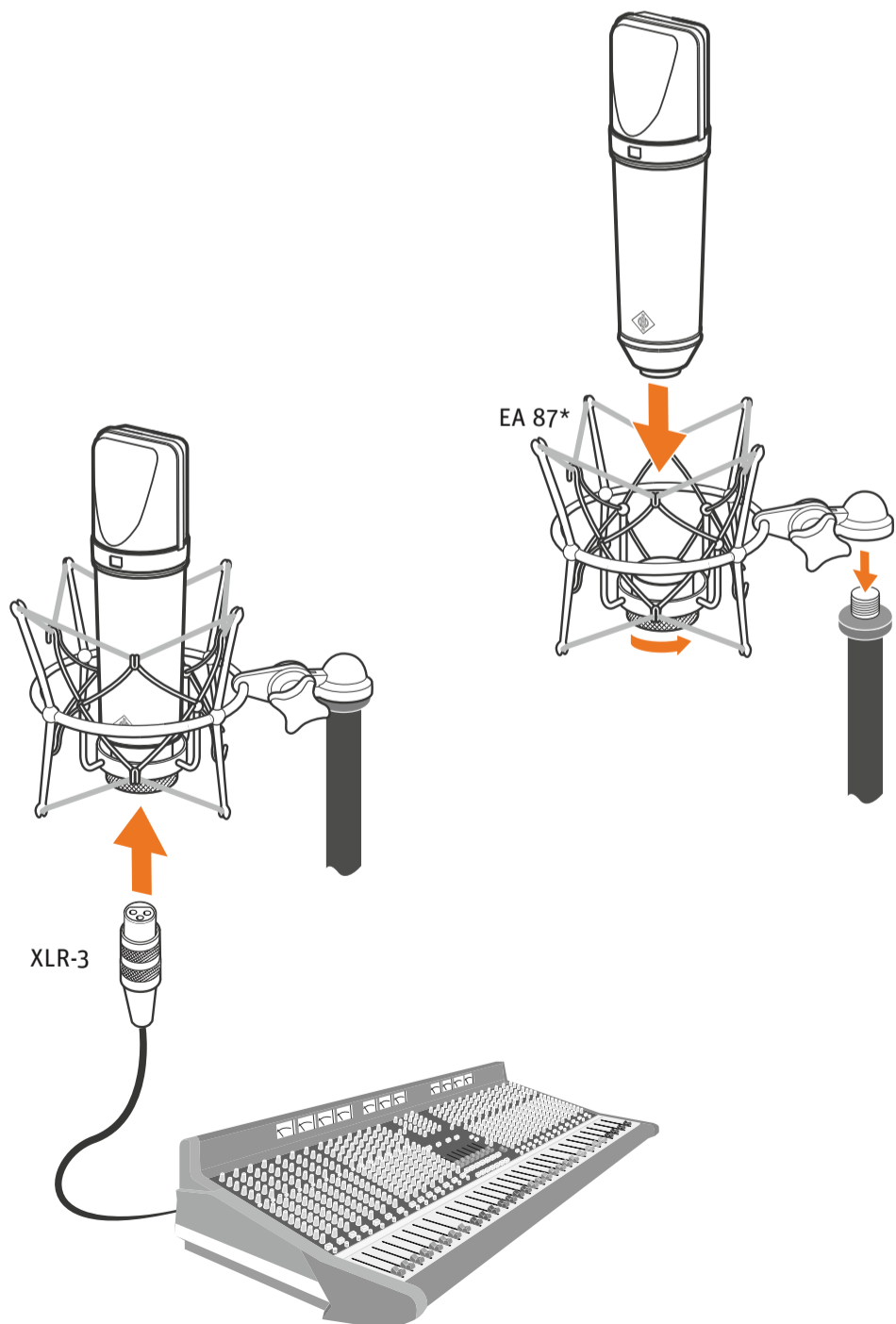
[www.neumann.com](http://www.neumann.com) | TLM 67

Specifications

Acoustic operating principle	Pressure gradient transducer
Directional pattern	Omnidirectional/cardioid/figure-8
Frequency range	20 Hz - 20 kHz
Sensitivity at 1 kHz into 1 kΩ	10/18/9 mV/Pa $\cong$ -40/-35/-41 dBV $\pm$ 1 dB
Rated impedance	50 $\Omega$
Rated load impedance	1000 $\Omega$
Signal-to-noise ratio, CCIR <sup>1)</sup> (rel. 94 dB SPL)	65/70/64 dB
Signal-to-noise ratio, A-weighted <sup>1)</sup> (rel. 94 dB SPL)	78/83/77 dB
Equivalent noise level, CCIR <sup>1)</sup>	29/24/30 dB
Equivalent noise level, A-weighted <sup>1)</sup>	16/11/17 dB-A
Maximum SPL for THD $\leq$ 0.5% <sup>2)</sup>	110/105/111 dB
Maximum SPL for THD $\leq$ 5 % <sup>2)</sup>	130/125/131 dB
Maximum output voltage	-1 dBu
Power supply	P48
Current consumption	3 mA
Matching connector	XLR3F
Weight	490 g
Dimensions (diameter / length)	$\varnothing$ 56 mm / 200 mm
Operating temperature range	0 °C - +70 °C (32 °F - 158 °F)
Storage temperature range	-20 °C - +70 °C (-4 °F - 158 °F)
Humidity range	max. 90 % at +20 °C

<sup>1)</sup> according to IEC 60268-1; CCIR-weighting according to CCIR 468-3, quasi peak; A-weighting according to IEC 61672-1, RMS  
<sup>2)</sup> measured as equivalent el. input signal

TLM 67 & EA 87\*



\*optional accessory  
 (for details on further optional accessories see [www.neumann.com](http://www.neumann.com))

