

EN

ES

FR

PT

DE

DL251/DL252 Audio System I/O

Operator Manual

(EN, ES, FR, PT, DE)

MUSIC Group Research UK Limited,
Klark Industrial Park,
Walter Nash Road,
Kidderminster.
Worcestershire.
DY11 7HJ.
England.

Tel: +44 1562 741515
Fax: +44 1562 745371

Email: mkt.info@music-group.com
Website: www.midasconsoles.com

DL251/DL252 Audio System I/O — Operator Manual
DOC02-DL251OP1 Issue A — January 2012
© MUSIC Group IP Limited

© 2011 MUSIC Group IP Ltd. Technical specifications and appearances are subject to change without notice and accuracy is not guaranteed. MIDAS and KLARK TEKNIK are part of the MUSIC Group (music-group.com).



EN Important safety instructions



Terminals marked with this symbol carry electrical current of sufficient magnitude to constitute risk of electric shock. Use only high-quality commercially-available speaker cables with ¼" TS plugs pre-installed. All other installation or modification should be performed only by qualified personnel.



This symbol, wherever it appears, alerts you to the presence of uninsulated dangerous voltage inside the enclosure - voltage that may be sufficient to constitute a risk of shock.



This symbol, wherever it appears, alerts you to important operating and maintenance instructions in the accompanying literature. Please read the manual.



Caution
To reduce the risk of electric shock, do not remove the top cover (or the rear section). No user serviceable parts inside. Refer servicing to qualified personnel.



Caution
To reduce the risk of fire or electric shock, do not expose this appliance to rain and moisture. The apparatus shall not be exposed to dripping or splashing liquids and no objects filled with liquids, such as vases, shall be placed on the apparatus.



Caution
These service instructions are for use by qualified service personnel only. To reduce the risk of electric shock do not perform any servicing other than that contained in the operation instructions. Repairs have to be performed by qualified service personnel.

- 1 Read these instructions.
- 2 Keep these instructions.
- 3 Heed all warnings.
- 4 Follow all instructions.
- 5 Do not use this apparatus near water.
- 6 Clean only with dry cloth.
- 7 Do not block any ventilation openings. Install in accordance with the manufacturer's instructions.
- 8 Do not install near any heat sources such as radiators, heat registers, stoves, or other apparatus (including amplifiers) that produce heat.

9 Do not defeat the safety purpose of the polarized or grounding-type plug. A polarized plug has two blades with one wider than the other. A grounding-type plug has two blades and a third grounding prong. The wide blade or the third prong are provided for your safety. If the provided plug does not fit into your outlet, consult an electrician for replacement of the obsolete outlet.

10 Protect the power cord from being walked on or pinched particularly at plugs, convenience receptacles, and the point where they exit from the apparatus.

11 Use only attachments/accessories specified by the manufacturer.



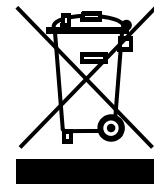
12 Use only with the cart, stand, tripod, bracket, or table specified by the manufacturer, or sold with the apparatus. When a cart is used, use caution when moving the cart/apparatus combination to avoid injury from tip-over.

13 Unplug this apparatus during lightning storms or when unused for long periods of time.

14 Refer all servicing to qualified service personnel. Servicing is required when the apparatus has been damaged in any way, such as power supply cord or plug is damaged, liquid has been spilled or objects have fallen into the apparatus, the apparatus has been exposed to rain or moisture, does not operate normally, or has been dropped.

15 The apparatus shall be connected to a MAINS socket outlet with a protective earthing connection.

16 Where the MAINS plug or an appliance coupler is used as the disconnect device, the disconnect device shall remain readily operable.



Legal disclaimer

Technical specifications and appearances are subject to change without notice and accuracy is not guaranteed. MIDAS and KLARK TEKNIK are part of the MUSIC Group (music-group.com). All trademarks are the property of their respective owners. MUSIC Group accepts no liability for any loss which may be suffered by any person who relies either wholly or in part upon any description, photograph or statement contained herein. Colours and specifications may vary slightly from product. Midas products are sold through authorized dealers only. Distributors and dealers are not agents of MUSIC Group and have absolutely no authority to bind MUSIC Group by

any express or implied undertaking or representation. This manual is copyrighted. No part of this manual may be reproduced or transmitted in any form or by any means, electronic or mechanical, including photocopying and recording of any kind, for any purpose, without the express written permission of MUSIC Group IP Limited

ALL RIGHTS RESERVED.

© 2011 MUSIC Group IP Limited
Trident Chambers, Wickhams Cay, P.O. Box 146,
Road Town, Tortola, British Virgin Islands

Limited warranty

§ 1 Warranty

1. This limited warranty is valid only if you purchased the product from a MUSIC Group authorized dealer in the country of purchase. A list of authorized dealers can be found on MUSIC Group's website www.midasconsoles.com, or you can contact the MUSIC Group office closest to you.

2. MUSIC Group* warrants the mechanical and electronic components of this product to be free of defects in material and workmanship if used under normal operating conditions for a period of three (3) years from the original date of purchase (see the Limited Warranty terms in § 4 below), unless a longer minimum warranty period is mandated by applicable local laws. If the product shows any defects within the specified warranty period and that defect is not excluded under § 4, MUSIC Group shall, at its discretion, either replace or repair the product using suitable new or reconditioned product or parts. In case MUSIC Group decides to replace the entire product, this limited warranty shall apply to the replacement product for the remaining initial warranty period, i.e., three (3) years (or otherwise applicable minimum warranty period) from the date of purchase of the original product.

3. Upon validation of the warranty claim, the repaired or replacement product will be returned to the user freight prepaid by MUSIC Group.

4. Warranty claims other than those indicated above are expressly excluded.

PLEASE RETAIN YOUR SALES RECEIPT. IT IS YOUR PROOF OF PURCHASE COVERING YOUR LIMITED WARRANTY. THIS LIMITED WARRANTY IS VOID WITHOUT SUCH PROOF OF PURCHASE.

§ 2 Online registration

Please do remember to register your new Midas equipment right after your purchase at www.midasconsoles.com and kindly read the terms and conditions of our limited warranty carefully. Registering your purchase and equipment with us helps us process your repair claims quicker and more efficiently. Thank you for your cooperation!

§ 3 Return materials authorization

1. To obtain warranty service, please contact the retailer from whom the equipment was purchased. Should your MUSIC Group dealer not be located in your vicinity, you may contact the MUSIC Group distributor for your country listed at www.midasconsoles.com. If your country is not listed please contact the "United Kingdom (Midas/ KT main office)" located under "Service ↳ Service/Repairs" on the www.midasconsoles.com website. Alternatively, please submit the online warranty return form found under "Service ↳ Warranty Registration" on www.midasconsoles.com BEFORE returning the product. All enquires must be accompanied by the description of the problem and the serial number of the product. The warranty eligibility will be verified from the original sales receipt.
2. Subsequently, the product must be returned in its original shipping carton, together with the return authorization number to the address indicated by MUSIC Group.
3. Shipments without freight prepaid will not be accepted.

§ 4 Warranty Exclusions

1. This limited warranty does not cover consumable parts including, but not limited to, fuses and batteries. Where applicable, MUSIC Group warrants the valves or meters contained in the product to be free from defects in material and workmanship for a period of ninety (90) days from date of purchase.
2. This limited warranty does not cover the product if it has been electronically or mechanically modified in any way. If the product needs to be modified or adapted in order to comply with applicable technical or safety standards on a national or local level, in any country which is not the country for which the product was originally developed and manufactured, this modification/adaptation shall not be considered a defect in materials or workmanship. This limited warranty does not cover any such modification/adaptation, regardless of whether it was carried out properly or not. Under the terms of this limited warranty, MUSIC Group shall not be held responsible for any cost resulting from such a modification/ adaptation.
3. This limited warranty covers only the product hardware. It does not cover technical assistance for hardware or software usage and it does not cover any software products whether or not contained in the product. Any such software is provided "AS IS" unless expressly provided for in any enclosed software limited warranty.
4. This limited warranty is invalid if the factory-applied serial number has been altered or removed from the product.
5. Free inspections and maintenance/repair work are expressly excluded from this limited warranty, in particular, if caused by improper handling of the product by the user. This also

applies to defects caused by normal wear and tear, in particular, of faders, crossfaders, potentiometers, keys/buttons, guitar strings, illuminants and similar parts.

6. Damage/defects caused by the following conditions are not covered by this limited warranty:
 - improper handling, neglect or failure to operate the unit in compliance with the instructions given in Midas user or service manuals;
 - connection or operation of the unit in any way that does not comply with the technical or safety regulations applicable in the country where the product is used;
 - damage/defects caused by acts of God/ Nature (accident, fire, flood, etc) or any other condition that is beyond the control of MUSIC Group.
7. Any repair or opening of the unit carried out by unauthorised personnel (user included) will void the limited warranty.
8. If an inspection of the product by MUSIC Group shows that the defect in question is not covered by the limited warranty, the inspection costs are payable by the customer.
9. Products which do not meet the terms of this limited warranty will be repaired exclusively at the buyer's expense. MUSIC Group or its authorized service centre will inform the buyer of any such circumstance. If the buyer fails to submit a written repair order within 6 weeks after notification, MUSIC Group will return the unit C.O.D. with a separate invoice for freight and packing. Such costs will also be invoiced separately when the buyer has sent in a written repair order.
10. Authorized MUSIC Group dealers do not sell new products directly in online auctions. Purchases made through an online auction are on a "buyer beware" basis. Online auction confirmations or sales receipts are not accepted for warranty verification and MUSIC Group will not repair or replace any product purchased through an online auction.

§ 5 Warranty transferability

This limited warranty is extended exclusively to the original buyer (customer of authorized retail dealer) and is not transferable to anyone who may subsequently purchase this product. No other person (retail dealer, etc.) shall be entitled to give any warranty promise on behalf of MUSIC Group.

§ 6 Claim for damage

Subject only to the operation of mandatory applicable local laws, MUSIC Group shall have no liability to the buyer under this warranty for any consequential or indirect loss or damage of any kind. In no event shall the liability of MUSIC Group under this limited warranty exceed the invoiced value of the product.

§ 7 Limitation of liability

This limited warranty is the complete and exclusive warranty between you and MUSIC Group. It supersedes all other written or oral communications related to this product. MUSIC Group provides no other warranties for this product.

§ 8 Other warranty rights and national law

1. This limited warranty does not exclude or limit the buyer's statutory rights as a consumer in any way.
2. The limited warranty regulations mentioned herein are applicable unless they constitute an infringement of applicable mandatory local laws.
3. This warranty does not detract from the seller's obligations in regard to any lack of conformity of the product and any hidden defect.

§ 9 Amendment

Warranty service conditions are subject to change without notice. For the latest warranty terms and conditions and additional information regarding MUSIC Group's limited warranty, please see complete details online at www.midasconsoles.com.

* MUSIC Group Macao Commercial Offshore Limited of Rue de Pequim No. 202-A, Macau Finance Centre 9/J, Macau, including all MUSIC Group companies

ES Instrucciones de seguridad



Las terminales marcadas con este símbolo transportan corriente eléctrica de magnitud suficiente como para constituir un riesgo de descarga eléctrica. Utilice solo cables de altavoz de alta calidad con clavijas TS de 6,3 mm pre-instaladas (puede adquirirlos en comercios especializados en audio). Cualquier otra instalación o modificación debe ser realizada únicamente por un técnico cualificado.



Este símbolo, siempre que aparece, le advierte de la presencia de voltaje peligroso sin aislar dentro de la caja; este voltaje puede ser suficiente para constituir un riesgo de descarga.



Este símbolo, siempre que aparece, le advierte sobre instrucciones operativas y de mantenimiento que aparecen en la documentación adjunta. Por favor, lea el manual.

**Atención**

Para reducir el riesgo de descarga eléctrica, no quite la tapa (o la parte posterior). No hay piezas en el interior del equipo que puedan ser reparadas por el usuario. Si es necesario, póngase en contacto con personal cualificado.

**Atención**

Para reducir el riesgo de incendio o descarga eléctrica, no exponga este aparato a la lluvia, humedad o alguna otra fuente que pueda salpicar o derramar algún líquido sobre el aparato. No coloque ningún tipo de recipiente para líquidos sobre el aparato.

**Atención**

Las instrucciones de servicio deben llevarlas a cabo exclusivamente personal cualificado. Para evitar el riesgo de una descarga eléctrica, no realice reparaciones que no se encuentren descritas en el manual de operaciones. Las reparaciones deben ser realizadas exclusivamente por personal cualificado.

- 1 Lea las instrucciones.
- 2 Conserve estas instrucciones.
- 3 Preste atención a todas las advertencias.
- 4 Siga todas las instrucciones.
- 5 No use este aparato cerca del agua.
- 6 Limpie este aparato con un paño seco.
- 7 No bloquee las aberturas de ventilación. Instale el equipo de acuerdo con las instrucciones del fabricante.

8 No instale este equipo cerca de fuentes de calor tales como radiadores, acumuladores de calor, estufas u otros aparatos (incluyendo amplificadores) que puedan producir calor.

9 No elimine o deshabilite nunca la conexión a tierra del aparato o del cable de alimentación de corriente. Un enchufe polarizado tiene dos polos, uno de los cuales tiene un contacto más ancho que el otro. Una clavija con puesta a tierra dispone de tres contactos: dos polos y la puesta a tierra. El contacto ancho y el tercer contacto, respectivamente, son los que garantizan una mayor seguridad. Si el enchufe suministrado con el equipo no concuerda con la toma de corriente, consulte con un electricista para cambiar la toma de corriente obsoleta.

10 Coloque el cable de suministro de energía de manera que no pueda ser pisado y que esté protegido de objetos afilados. Asegúrese de que el cable de suministro de energía esté protegido, especialmente en la zona de la clavija y en el punto donde sale del aparato.

11 Use únicamente los dispositivos o accesorios especificados por el fabricante.



12 Use únicamente la carretilla, plataforma, trípode, soporte o mesa especificados por el fabricante o suministrados junto con el equipo. Al transportar

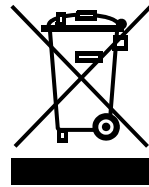
el equipo, tenga cuidado para evitar daños y caídas al tropezar con algún obstáculo.

13 Desenchufe el equipo durante tormentas o si no va a utilizarlo durante un periodo largo.

14 Confíe las reparaciones únicamente a servicios técnicos cualificados. La unidad requiere mantenimiento siempre que haya sufrido algún daño, si el cable de suministro de energía o el enchufe presentaran daños, se hubiera derramado un líquido o hubieran caído objetos dentro del equipo, si el aparato hubiera estado expuesto a la humedad o la lluvia, si ha dejado de funcionar de manera normal o si ha sufrido algún golpe o caída.

15 Al conectar la unidad a la toma de corriente eléctrica asegúrese de que la conexión disponga de una unión a tierra.

16 Si el enchufe o conector de red sirve como único medio de desconexión, éste debe ser accesible fácilmente.



Negación legal

Las especificaciones técnicas y la apariencia exterior están sujetas a cambios sin previo aviso y no podemos garantizar la total exactitud de todo lo que aparece aquí. MIDAS y KLARK TEKNIK forma parte del grupo MUSIC Group (music-group.com). Todas las marcas registradas son propiedad de sus respectivos dueños. MUSIC Group no acepta ningún tipo de responsabilidad por posibles daños y perjuicios sufridos por cualquier persona que se haya basado completamente o en parte en las descripciones, fotografías o explicaciones que aparecen en este documento. Los colores y especificaciones técnicas pueden variar ligeramente de un producto a otro. Los productos Midas son comercializados únicamente a través de distribuidores oficiales. Los distribuidores y mayoristas no son agentes de MUSIC Group, por lo que no están autorizados a conceder ningún tipo de contrato o garantía que obligue a MUSIC Group de forma expresa o implícita. Este manual está protegido por las leyes del copyright. Este manual no puede ser reproducido o transmitido, ni completo ni en parte, por ningún tipo de medio, tanto si es electrónico como mecánico, incluyendo el fotocopiado o registro de cualquier

tipo y para cualquier fin, sin la autorización expresa y por escrito de MUSIC Group IP Ltd. RESERVADOS TODOS LOS DERECHOS. © 2011 MUSIC Group IP Limited Trident Chambers, Wickhams Cay, P.O. Box 146, Road Town, Tortola, British Virgin Islands.

Garantía

§ 1 Garantía

1. Esta garantía limitada solo es válida si ha adquirido este producto en un distribuidor autorizado MUSIC Group en el país de compra. Puede encontrar un listado de los distribuidores autorizados en la página web de MUSIC Group (www.midasconsoles.com), o poniéndose en contacto con el centro MUSIC Group más cercano a Vd.

2. MUSIC Group* garantiza que todas las piezas mecánicas y electrónicas de este aparato no tienen ningún defecto ni en materiales ni en mano de obra bajo condiciones de uso normales durante un periodo de tres (3) años desde la fecha de compra original (vea más adelante el punto § 4 de esta garantía limitada), salvo que alguna normativa local obligue a un periodo mínimo de garantía superior. Si este aparato da muestras de cualquier tipo de avería, que no esté excluido de acuerdo al punto § 4 siguiente, dentro del periodo de garantía especificado, MUSIC Group podrá, a su propio criterio, sustituir o reparar el aparato usando para ello tanto piezas nuevas como recicladas. En el caso de que MUSIC Group decida sustituir el aparato completo, esta garantía limitada será aplicable a la unidad de sustitución durante el tiempo restante de la garantía inicial, es decir, tres (3) años (o el mínimo legal aplicable de acuerdo a normativas locales) desde la fecha de compra del aparato original.

3. Una vez que sea aceptada una reclamación en periodo de garantía, el aparato reparado o sustituido será devuelto por MUSIC Group al usuario a portes pagados.

4. No será aceptada ninguna reclamación en periodo de garantía por motivos y cauces distintos a los indicados en este documento.

CONSERVE SU RECIBO DE COMPRA O FACTURA, DADO QUE ESO SUPONE SU PRUEBA DE COMPRA DE CARA A LA GARANTIA LIMITADA. ESTA GARANTIA LIMITADA QUEDARA ANULADA SI NO DISPONE DE PRUEBA DE COMPRA.

§ 2 Registro online

Después de la compra, no olvide registrar su nuevo aparato Midas en nuestro sitio web, www.midasconsoles.com y leer completamente los términos y condiciones de nuestra garantía limitada. El registrar su compra y los datos de este aparato nos ayudará a procesar cualquier reclamación de una forma más rápida y eficaz. ¡Gracias por su cooperación!

EN

ES

FR

PT

DE

§ 3 Autorización de retorno de material

1. Para que este aparato pueda ser reparado deberá ponerse en contacto con el comercio en el que adquirió este aparato. En el caso de que no exista un distribuidor MUSIC Group en las inmediaciones, puede ponerse en contacto con el distribuidor MUSIC Group de su país, en www.midasconsoles.com. Si su país no aparece en el listado, póngase en contacto con "United Kingdom (Midas/KT main office)" {"Reino Unido (sede central de Midas/KT)"} que encontrará en el enlace "Service ↳ Service/Repairs" {"Reparaciones ↳ Reparaciones/ mantenimiento"} dentro de la página web general www.midasconsoles.com. De forma alternativa, también puede remitirnos el formulario online de devolución en periodo de garantía que encontrará en "Service ↳ Warranty Registration" {"Reparaciones ↳ Registro de garantía"} de nuestra web www.midasconsoles.com ANTES de devolvernos el aparato. Todas las solicitudes deberán ir acompañadas de una descripción del problema y del número de serie del aparato. La vigencia del periodo de garantía será comprobada con el recibo de compra o factura original.
2. Posteriormente, deberá devolvernos el aparato dentro de su embalaje original, junto con el número de autorización que le haya sido facilitado, a la dirección indicada por MUSIC Group.
3. No será aceptado ningún envío a portes debidos.

§ 4 Exclusiones de esta garantía

1. Esta garantía limitada no cubre ningún tipo de consumible incluyendo, pero sin limitación alguna, los fusibles y las pilas. En aquellos países en los que sea aplicable, MUSIC Group garantiza que las válvulas y medidores de este aparato están libres de defectos en materiales y mano de obra durante un periodo de noventa (90) días desde la fecha de compra.
2. Esta garantía limitada no cubrirá el producto si ha sido electrónica o mecánicamente modificado de cualquier forma. Si este aparato debe ser modificado o adaptado de cara a cumplir con cualquier standard técnico o de seguridad aplicable para su país o región, en países distintos a los que este aparato haya sido fabricado o diseñado originalmente, dicha modificación/adaptación no será considerada un defecto en materiales o mano de obra. Esta garantía limitada no cubrirá por tanto tal tipo de modificación/adaptación, tanto si es realizada por un técnico especialista como si no. De acuerdo a los términos de esta garantía limitada, MUSIC Group no será responsable de los gastos producidos por ese tipo de modificación/adaptación.
3. Esta garantía limitada cubre solo el hardware o producto físico. No cubre por tanto la asistencia técnica en cuanto a uso del producto o del

software ni tampoco ningún producto de software tanto si está contenido en el propio aparato como si es externo. Cualquier tipo de software es suministrado "TAL COMO ES" salvo que se indique expresamente otra cosa en la garantía limitada del software.

4. Esta garantía limitada quedará anulada si el número de serie asignado en fábrica ha sido modificado o eliminado del producto.
5. Esta garantía excluye expresamente cualquier tipo de revisión gratuita y o trabajo de mantenimiento/repación, en concreto, todas aquellas producidas por un uso incorrecto o inadecuado del aparato por parte del usuario. Esto también se aplica a aquellos defectos producidos por el uso y desgaste normales, en especial de los faders, crossfaders, potenciómetros, teclas, cuerdas de guitarra, pilotos y piezas similares.
6. Los daños/averías ocasionados por las siguientes condiciones NO quedan cubiertos por esta garantía limitada:
 - uso incorrecto o inadecuado, negligente o el uso de este aparato sin cumplir con lo indicado en las instrucciones facilitadas por Midas en los manuales;
 - la conexión o uso de este aparato en cualquier sistema o forma que no cumpla con las normas técnicas o de seguridad aplicables en el país en el que sea usado este aparato;
 - los daños/averías producidos por desastres naturales/fenómenos atmosféricos (accidentes, incendios, inundaciones) o cualquier otra situación que quede fuera del control de MUSIC Group.
7. La reparación de este aparato o la apertura de su carcasa por cualquier persona no autorizada (incluyendo el propio usuario) anulará esta garantía limitada.
8. En caso de que un examen de este aparato por parte de MUSIC Group demuestre que el defecto o avería en cuestión no queda cubierto por esta garantía limitada, el coste de dicha inspección deberá ser pagado por el usuario.
9. Aquellos productos que no cumplan con los términos de esta garantía limitada serán reparados EXCLUSIVAMENTE con cargo al usuario. MUSIC Group o sus servicios técnicos oficiales informarán al usuario en caso de que se produzca esa circunstancia. Si el usuario no remite una autorización de reparación por escrito en las 6 semanas siguientes a nuestra notificación, MUSIC Group devolverá la unidad a portes debidos, junto con una factura por los gastos. En caso de que el usuario haya remitido la autorización de reparación, esos costes también le serán facturados aparte.
10. Los distribuidores autorizados MUSIC Group no venden productos nuevos a través de sistemas de subastas online. Los compradores que accedan a este tipo de subastas se harán responsables plenamente de esas compras. Las confirmaciones o recibos de compras de

subastas online no son válidas como verificaciones de garantía, por lo que MUSIC Group no reparará ni sustituirá ningún producto que haya sido adquirido a través de este tipo de sistemas.

§ 5 Transferibilidad de la garantía

Esta garantía limitada es aplicable únicamente al comprador original (comprador a través de distribuidor minorista autorizado) y no es transferible a terceras personas que puedan comprar este aparato al comprador original. Ninguna persona (comercio minorista, etc.) está autorizada a ofrecer ningún otro tipo de garantía en nombre de MUSIC Group.

§ 6 Reclamaciones

Con las limitaciones propias de las normativas y leyes locales aplicables, MUSIC Group no será responsable de cara al comprador por el daño emergente, lucro cesante o daños y perjuicios de cualquier tipo. Bajo ningún concepto la responsabilidad de MUSIC Group por esta garantía limitada sobrepasará el valor de este producto de acuerdo a la factura.

§ 7 Limitación de responsabilidades

Esta garantía limitada es la única y exclusiva garantía entre Vd. y MUSIC Group. Esta garantía sustituye a cualquier otra comunicación verbal o escrita relacionada con este aparato. MUSIC Group no ofrece ninguna otra garantía relativa a este producto.

§ 8 Otros derechos de garantías y Leyes nacionales

1. Esta garantía limitada no excluye ni limita los derechos legales propios del comprador como tal.
2. Los puntos de esta garantía limitada y mencionados aquí son aplicables salvo en el caso de que supongan la infracción de cualquier legislación local aplicable.
3. Esta garantía no limita la obligación del vendedor en lo relativo a la conformidad de este aparato de acuerdo a las leyes y las responsabilidades por vicios ocultos.

§ 9 Notas finales

Las condiciones de este servicio de garantía están sujetas a cambios sin previo aviso. Si quiere consultar los términos y condiciones de garantía actualizados, así como información adicional sobre la garantía limitada de MUSIC Group, consulte todos los detalles online en la página web www.midasconsoles.com.

* MUSIC Group Macao Commercial Offshore Limited of Rue de Pequim No. 202-A, Macau Finance Centre 9/J, Macau, incluidas todas las empresas MUSIC Group

FR Consignes de sécurité



Les points repérés par ce symbole portent une tension électrique suffisante pour constituer un risque

d'électrocution. Utilisez uniquement des câbles d'enceintes de haute qualité disponibles dans les points de vente avec les connecteurs Jack mono 6,35 mm déjà installés. Toute autre installation ou modification doit être effectuée uniquement par un personnel qualifié.



électriques.

Ce symbole avertit de la présence d'une tension dangereuse et non isolée à l'intérieur de l'appareil - elle peut provoquer des chocs

**Attention**

Ce symbole signale les consignes d'utilisation et d'entre ! Tien importantes dans la

documentation fournie. Lisez les consignes de sécurité du manuel d'utilisation de l'appareil.

**Attention**

Pour éviter tout risque de choc électrique, ne pas ouvrir le capot de l'appareil ni démonter le

panneau arrière. L'intérieur de l'appareil ne possède aucun élément réparable par l'utilisateur. Laisser toute réparation à un professionnel qualifié.

**Attention**

Pour réduire les risques de feu et de choc électrique, n'exposez pas cet appareil à la pluie, à la

moisissure, aux gouttes ou aux éclaboussures. Ne posez pas de récipient contenant un liquide sur l'appareil (un vase par exemple).

**Attention**

Ces consignes de sécurité et d'entretien sont destinées à un personnel qualifié. Pour éviter tout

risque de choc électrique, n'effectuez aucune réparation sur l'appareil qui ne soit décrite par le manuel d'utilisation. Les éventuelles réparations doivent être effectuées uniquement par un technicien spécialisé.

- 1 Lisez ces consignes.
- 2 Conservez ces consignes.
- 3 Respectez tous les avertissements.
- 4 Respectez toutes les consignes d'utilisation.
- 5 N'utilisez jamais l'appareil à proximité d'un liquide.
- 6 Nettoyez l'appareil avec un chiffon sec.

7 Veillez à ne pas empêcher la bonne ventilation de l'appareil via ses ouïes de ventilation. Respectez les consignes du fabricant concernant l'installation de l'appareil.

8 Ne placez pas l'appareil à proximité d'une source de chaleur telle qu'un chauffage, une cuisinière ou tout appareil dégageant de la chaleur (y compris un ampli de puissance).

9 Ne supprimez jamais la sécurité des prises bipolaires ou des prises terre. Les prises bipolaires possèdent deux contacts de largeur différente. Le plus large est le contact de sécurité. Les prises terre possèdent deux contacts plus une mise à la terre servant de sécurité. Si la prise du bloc d'alimentation ou du cordon d'alimentation fourni ne correspond pas à celles de votre installation électrique, faites appel à un électricien pour effectuer le changement de prise.

10 Installez le cordon d'alimentation de telle façon que personne ne puisse marcher dessus et qu'il soit protégé d'arêtes coupantes. Assurez-vous que le cordon d'alimentation est suffisamment protégé, notamment au niveau de sa prise électrique et de l'endroit où il est relié à l'appareil; cela est également valable pour une éventuelle rallonge électrique.

11 Utilisez exclusivement des accessoires et des appareils supplémentaires recommandés par le fabricant.



12 Utilisez exclusivement des chariots, des diables, des présentoirs, des pieds et des surfaces de travail recommandés par le fabricant ou livrés avec le produit.

Déplacez précautionneusement tout chariot ou diable chargé pour éviter d'éventuelles blessures en cas de chute.

13 Débranchez l'appareil de la tension secteur en cas d'orage ou si l'appareil reste inutilisé pendant une longue période de temps.

14 Les travaux d'entretien de l'appareil doivent être effectués uniquement par du personnel qualifié. Aucun entretien n'est nécessaire sauf si l'appareil est endommagé de quelque façon que ce soit (dommages sur le cordon d'alimentation ou la prise par exemple), si un liquide ou un objet a pénétré à l'intérieur du châssis, si l'appareil a été exposé à la pluie ou à l'humidité, s'il ne fonctionne pas correctement ou à la suite d'une chute.

15 L'appareil doit être connecté à une prise secteur dotée d'une protection par mise à la terre.



16 La prise électrique ou la prise IEC de tout appareil dénué de bouton marche/arrêt doit rester accessible en permanence.

Déni Légal

Caractéristiques techniques et apparence sujettes à modifications sans préavis. Précision non garantie. MIDAS et KLARK TEKNIK font partie du groupe MUSIC Group (music-group.com). Toutes les marques déposées sont la propriété de leurs propriétaires respectifs. La société MUSIC Group n'accepte aucune responsabilité dans les éventuels dommages ou pertes subis par un tiers en se basant en entier ou en partie sur les descriptions, photographies ou déclarations contenues dans ce document. Les couleurs et caractéristiques peuvent varier légèrement de celles du produit. Les produits Midas ne sont vendus que par le biais de revendeurs agréés. Les distributeurs et les revendeurs ne sont pas agents de MUSIC Group et n'ont absolument aucune autorité pour engager ou représenter la société MUSIC Group de façon implicite, explicite ou indirecte. Ce mode d'emploi est protégé par droits d'auteurs. Il est interdit de transmettre ou de copier ce mode d'emploi sous quelle forme que ce soit, par quel moyen que ce soit, électronique ou mécanique, ce qui comprend les moyens de photocopie et d'enregistrement de quelle façon que ce soit, quel que soit le but, sans la permission écrite expresse de MUSIC Group IP Limited

TOUS DROITS RÉSERVÉS.

© 2011 MUSIC Group IP Limited

Trident Chambers, Wickhams Cay, P.O. Box 146, Road Town, Tortola, Iles Vierges Britanniques.

Garantie

§ 1 Garantie

1. Cette garantie limitée n'est valide que si vous avez acheté ce produit auprès d'un revendeur MUSIC Group agréé dans le pays d'achat. Vous trouverez une liste des revendeurs agréés sur le site de MUSIC Group, à l'adresse www.midasconsoles.com, ou vous pouvez contacter le bureau MUSIC Group le plus proche de chez vous.

2. MUSIC Group* garantit les composants mécaniques et électroniques de ce produit contre tout défaut matériel ou de main-d'oeuvre lorsqu'il est utilisé dans des conditions normales, pendant une période de trois (3) ans à partir de la date d'achat (consultez le chapitre n° § 4 ci-dessous), sauf si une durée de garantie plus longue est stipulée par les législations locales. En cas de défaut du produit pendant la période de garantie spécifiée (rentrant dans le cadre défini par le chapitre § 4), MUSIC Group, à sa propre discrétion, pourra décider de remplacer ou de réparer le produit en utilisant des pièces ou des produits neufs ou reconditionnés. Dans le cas où MUSIC Group déciderait de remplacer la totalité du produit, cette garantie limitée s'applique au produit de remplacement pour le restant de la période de garantie, soit trois (3) ans (sauf si une durée de garantie plus longue est stipulée par les

législations locales) à partir de la date d'achat du produit initial.

3. Après l'acceptation de la demande de garantie, le produit remplacé ou réparé sera renvoyé au client avec le port payé par MUSIC Group.

4. Toute demande de garantie autre que celle définie par le texte ci-avant sera refusée.

CONSERVEZ VOTRE REÇU D'ACHAT. IL EST VOTRE PREUVE D'ACHAT ET PREUVE DE GARANTIE. CETTE GARANTIE LIMITÉE EST NON AVENANTE SANS PREUVE D'ACHAT.

§ 2 Enregistrement en ligne

Pensez à enregistrer votre nouveau produit Midas dès l'achat sur www.midasconsoles.com et prenez le temps de lire avec attention les termes et conditions de cette garantie. L'enregistrement de votre achat et matériel nous aidera à traiter vos réparations plus rapidement et plus efficacement. Merci de votre coopération!

§ 3 Autorisation de retour de matériel

1. Pour faire jouer la garantie, contactez le revendeur auprès duquel vous avez acheté l'appareil. Si votre revendeur MUSIC Group ne se trouve pas à proximité, contactez le distributeur MUSIC Group de votre pays, à www.midasconsoles.com. Si votre pays n'est pas indiqué, contactez le "United Kingdom (Midas/KT main office)" {"bureau du Royaume-Uni (siège social de Midas/KT)"} situé dans "Service ↳ Service/Repairs" {"Réparations ↳ Maintenance/Réparations"} du site Internet www.midasconsoles.com. Vous pouvez également soumettre en ligne le formulaire de retour sous garantie dans "Service ↳ Warranty Registration" {"Réparations ↳ Enregistrement de garantie"} sur le site www.midasconsoles.com AVANT de renvoyer le produit. Toutes les requêtes doivent être accompagnées de la description du problème et du numéro de série du produit. La prise en charge par la garantie sera validée par la facture de vente initiale.

2. Le produit doit ensuite être retourné dans son emballage d'origine avec le numéro d'autorisation de retour à l'adresse indiquée par MUSIC Group.

3. Seuls les paquets dont le port a été acquitté seront acceptés.

§ 4 Exclusions de garantie

1. Cette garantie limitée ne couvre pas les consommables et/ou pièces jetables comme, par exemple, les fusibles et les piles. Dans les cas possibles, MUSIC Group garantit les lampes ou afficheurs contenus dans le produit contre tout défaut de pièce ou de main d'œuvre pour une période de quatre-vingt-dix (90) jours à partir de la date d'achat.

2. Cette garantie limitée ne couvre pas le produit s'il a été modifié de façon électronique ou mécanique. Si le produit doit être modifié ou adapté pour être compatible avec une législation locale ou nationale relative à la sécurité ou aux

normes techniques, dans un pays qui n'est pas le pays pour lequel le produit a été prévu et fabriqué à l'origine, cette modification/adaptation ne sera pas considérée comme un défaut de pièce ou de main d'œuvre. Cette garantie limitée ne couvre pas ces modifications/adaptations, qu'elles aient été réalisées correctement ou non. Selon les termes de cette garantie limitée, MUSIC Group ne pourra pas être tenu responsable des coûts issus de telles modifications/adaptations.

3. Cette garantie limitée ne couvre que l'aspect matériel du produit. Elle ne couvre pas l'assistance technique liée à l'utilisation d'un matériel ou d'un logiciel et ne couvre aucun produit logiciel fourni ou non avec le produit. Les logiciels sont fournis "TEL QUEL" à moins que le logiciel ne soit expressément fourni avec sa propre garantie.

4. Cette garantie limitée n'est pas valide si le numéro de série appliqué en usine a été modifié ou supprimé du produit.

5. Les inspections gratuites et les travaux de maintenance/réparation sont totalement exclus de cette garantie, notamment, si le problème vient d'une mauvaise manutention ou de l'utilisation du produit par l'utilisateur. Cette exclusion s'applique également aux défauts et pannes liés par l'usure normale, C'est en particulier le cas des Faders, Crossfaders, potentiomètres, touches/boutons, cordes d'instrument de musique, témoins lumineux et toutes pièces ou éléments similaires.

6. Les dommages/pannes causés par les conditions suivantes ne sont pas couverts par la garantie :

- Mauvaise manutention ou entretien, négligence ou non respect de l'utilisation du produit selon les instructions données dans le mode d'emploi ou le guide d'entretien Midas.
- Connexion ou utilisation de l'appareil d'une façon ne correspondant pas aux procédures ou législations de sûreté ou techniques applicables dans le pays où le produit a été vendu.
- Dommages/pannes causés par l'acte de Dieu ou de la Nature (accident, incendie, inondation, etc.) ou toute autre condition au-delà du contrôle de MUSIC Group.
- 7. Toute réparation ou ouverture du boîtier réalisée par un personnel non agréé (ce qui comprend l'utilisateur) annule immédiatement la garantie.

8. Si une inspection du produit réalisée par MUSIC Group indique que la panne ou le défaut en question n'est pas couvert par la garantie, les coûts d'inspection seront à la charge du client.

9. Les produits qui ne sont pas pris en charge par les termes de cette garantie seront réparés à la charge de l'acheteur. MUSIC Group ou ses centres de réparation agréés informeront l'acheteur de telles circonstances. Si l'acheteur ne soumet pas un formulaire de réparation écrit dans les 6 semaines suivant la notification, MUSIC Group renverra le produit à vos frais avec une facture séparée pour les frais de port et

d'emballage. Ces coûts seront également facturés séparément une fois que l'acheteur a envoyé sa demande écrite de réparation.

10. Les revendeurs MUSIC Group agréés ne vendent pas de produits neufs directement dans les enchères en ligne. Les achats réalisés dans les enchères en ligne sont laissés à l'entière responsabilité et aux risques de l'acheteur. Les preuves d'achat issues de ventes aux enchères en ligne ne sont pas acceptées comme vérification ou preuve d'achat et MUSIC Group ne réparera et ne remplacera pas les produits achetés aux enchères en ligne.

§ 5 Transfert de garantie

Cette garantie limitée est attribuée uniquement à l'acheteur initial (client d'un revendeur agréé). Elle n'est pas transférable aux personnes suivantes qui achètent le produit. Personne n'est autorisé (revendeur, etc.) à donner une promesse de garantie de la part de MUSIC Group.

§ 6 Réparation de dommages

Sujet uniquement aux lois locales applicables, MUSIC Group ne peut pas être tenu responsable auprès de l'acheteur, par cette garantie, d'aucun dommage ou d'aucune perte indirecte liée à l'utilisation du produit. La responsabilité de MUSIC Group ne peut en aucun cas, même dans le cadre de la garantie, dépasser la valeur du produit indiquée sur la facture d'achat.

§ 7 Limitation de responsabilité

Cette garantie limitée telle que présentée dans cette page représente la seule garantie contractuelle entre vous et MUSIC Group. Elle annule et remplace tous les autres moyens de communication écrits ou oraux liés à ce produit. MUSIC Group ne fournit aucune garantie pour ce produit.

§ 8 Autres droits et lois nationales

1. Cette garantie limitée n'exclue pas ou ne limite en aucune façon les droits statutaires de l'acheteur en tant que consommateur.
2. Les réglementations de la garantie limitée mentionnées dans ces pages ne sont applicables que dans le cadre des lois locales.
3. Cette garantie n'exempt pas le vendeur de ses obligations de respect de conformité du produit aux législations locales et de prise en charge des défauts cachés.

§ 9 Amendements

Les conditions de cette garantie sont sujettes à modification sans préavis. Pour obtenir les conditions de garantie les plus récentes ainsi que toute autre information relative à la garantie des produits MUSIC Group, consultez le site Internet www.midasconsoles.com.

* MUSIC Group Macao Commercial Offshore Limited de la Rue de Pequim, n° 202-A, Macao Finance Centre 9/J, Macau, y compris toutes MUSIC Group sociétés

PT Instruções de Segurança Importantes



Aviso!

Terminais marcados com o símbolo carregam corrente elétrica de magnitude suficiente para constituir um risco de choque elétrico. Use apenas cabos de alto-falantes comercialmente disponíveis de alta qualidade com plugues TS de ¼" pré-instalados. Todas as outras instalações e modificações devem ser efetuadas por pessoas qualificadas.



Este símbolo, onde quer que o encontre, alerta-o para a leitura das instruções de manuseamento que acompanham o equipamento. Por favor leia o manual de instruções.



Atenção

De forma a diminuir o risco de choque elétrico, não remover a cobertura (ou a secção de trás). Não existem peças substituíveis por parte do utilizador no seu interior. Para esse efeito recorrer a um técnico qualificado.



Atenção

Para reduzir o risco de incêndios ou choques elétricos o aparelho não deve ser exposto à chuva nem à humidade. Além disso, não deve ser sujeito a salpicos, nem devem ser colocados em cima do aparelho objectos contendo líquidos, tais como jarras.



Atenção

Estas instruções de operação devem ser utilizadas, em exclusivo, por técnicos de assistência qualificados. Para evitar choques elétricos não proceda a reparações ou intervenções, que não as indicadas nas instruções de operação, salvo se possuir as qualificações necessárias. Para evitar choques elétricos não proceda a reparações ou intervenções, que não as indicadas nas instruções de operação. Só o deverá fazer se possuir as qualificações necessárias.

- 1 Leia estas instruções.
- 2 Guarde estas instruções.
- 3 Preste atenção a todos os avisos.
- 4 Siga todas as instruções.
- 5 Não utilize este dispositivo perto de água.
- 6 Limpe apenas com um pano seco.

7 Não obstrua as entradas de ventilação. Instale de acordo com as instruções do fabricante.

8 Não instale perto de quaisquer fontes de calor tais como radiadores, bocas de ar quente, fogões de sala ou outros aparelhos (incluindo amplificadores) que produzam calor.

9 Não anule o objectivo de segurança das fichas polarizadas ou do tipo de ligação à terra. Uma ficha polarizada dispõe de duas palhetas sendo uma mais larga do que a outra. Uma ficha do tipo ligação à terra dispõe de duas palhetas e um terceiro dente de ligação à terra. A palheta larga ou o terceiro dente são fornecidos para sua segurança. Se a ficha fornecida não encaixar na sua tomada, consulte um electricista para a substituição da tomada obsoleta.

10 Proteja o cabo de alimentação de pisadelas ou apertos, especialmente nas fichas, extensões, e no local de saída da unidade. Certifique-se de que o cabo eléctrico está protegido. Verifique particularmente nas fichas, nos receptáculos e no ponto em que o cabo sai do aparelho.

11 O aparelho tem de estar sempre conectado à rede eléctrica com o condutor de protecção intacto.

12 Se utilizar uma ficha de rede principal ou uma tomada de aparelhos para desligar a unidade de funcionamento, esta deve estar sempre acessível.

13 Utilize apenas ligações/acessórios especificados pelo fabricante.

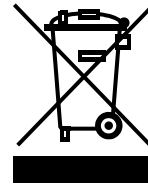


14 Utilize apenas com o carrinho, estrutura, tripé, suporte, ou mesa especificados pelo fabricante ou vendidos com o dispositivo. Quando utilizar um carrinho,

tenha cuidado ao mover o conjunto carrinho/dispositivo para evitar danos provocados pela terpidação.

15 Desligue este dispositivo durante as trovoadas ou quando não for utilizado durante longos períodos de tempo.

16 Qualquer tipo de reparação deve ser sempre efectuado por pessoal qualificado. É necessária uma reparação sempre que a unidade tiver sido de alguma forma danificada, como por exemplo: no caso do cabo de alimentação ou ficha se encontrarem danificados; na eventualidade de líquido ter sido derramado ou objectos terem caído para dentro do dispositivo; no caso da unidade ter estado exposta à chuva ou à humidade; se esta não funcionar normalmente, ou se tiver caído.



17 Correcta eliminação deste produto: este símbolo indica que o produto não deve ser eliminado juntamente com os resíduos domésticos, segundo a Directiva

REEE (2002/96/CE) e a legislação nacional. Este produto deverá ser levado para um centro de recolha licenciado para a reciclagem de resíduos de equipamentos eléctricos e electrónicos (EEE). O tratamento incorrecto deste tipo de resíduos pode ter um eventual impacto negativo no ambiente e na saúde humana devido a substâncias potencialmente perigosas que estão geralmente associadas aos EEE. Ao mesmo tempo, a sua colaboração para a eliminação correcta deste produto irá contribuir para a utilização eficiente dos recursos naturais. Para mais informação acerca dos locais onde poderá deixar o seu equipamento usado para reciclagem, é favor contactar os serviços municipais locais, a entidade de gestão de resíduos ou os serviços de recolha de resíduos domésticos.

Legal Renunciante

Especificações técnicas e aparência estão sujeitas a mudanças sem aviso prévio e não há garantia de precisão. MIDAS e KLARK TEKNIK fazem parte de um grupo chamado MUSIC Group (music-group.com). Todas as marcas registadas são propriedade dos seus respectivos proprietários. MUSIC Group não se responsabiliza por qualquer perda que possa ter sido sofrida por qualquer pessoa que acredite tanto completa quanto parcialmente em qualquer descrição, foto ou afirmação aqui contida. Cores e especificações podem variar um pouco do produto. Os produtos da Midas são vendidos através de distribuidores autorizados apenas. Distribuidores e revendedores não são agentes da MUSIC Group e não têm autoridade alguma para obrigar a MUSIC Group a qualquer tarefa ou representação expressa ou implícita. Este manual tem direitos autorais. Parte alguma deste manual pode ser reproduzida ou transmitida de qualquer forma ou meio, eletrônico ou mecânico, incluindo fotocópia e gravação de qualquer tipo, para qualquer intenção, sem a permissão escrita expressa de MUSIC Group IP Limited. TODOS DIREITOS RESERVADOS. © 2011 MUSIC Group IP Limited Trident Chambers, Wickhams Cay, P.O. Box 146, Road Town, Tortola, Ilhas Virgens Britânicas

Garantia Limitada

§ 1 Garantia

1. A presente garantia limitada é válida somente se você comprou o produto de um distribuidor autorizado MUSIC Group no país de compra. Uma lista de distribuidores autorizados pode ser achada no website da MUSIC Group

www.midasconsoles.com, ou você pode entrar em contato com o escritório da MUSIC Group mais próxima de você.

2. A MUSIC Group* garante que os componentes mecânicos e eletrônicos deste produto estão livre de defeitos em material e mão-de-obra se usado sob circunstâncias de funcionamento normais por um período de três (3) anos da data original de compra (veja os Termos de Garantia Limitada no § 4 abaixo), a menos que um período de garantia mínimo mais longo tenha sido compulsório por leis locais aplicáveis. Se o produto não mostra defeito algum dentro do período de garantia especificado e que esse defeito não está excluído sob o § 4, a MUSIC Group, em sua discricão, substituirá ou reparará o produto usando o produto apropriado ou as peças novas ou reconhecidas. Caso a MUSIC Group decida substituir o produto inteiro, esta garantia limitada aplicar-se-á ao produto reposto para o período de garantia inicial restante, isto é, três (3) anos (ou período de garantia mínimo de outra maneira aplicável) da data da compra do produto original.

3. Sob a validação da solicitação de garantia, o produto reparado ou reposto será devolvido ao usuário com o frete pago antecipadamente pela MUSIC Group.

4. Solicitações de garantia outra que aquelas indicadas acima estão expressamente excluídas. FAVOR RETER SUA NOTA FISCAL. ELA É A SUA PROVA DE COMPRA DANDO COBERTURA À SUA GARANTIA LIMITADA. ESTA GARANTIA LIMITADA É NULA SEM TAL PROVA DE COMPRA.

§ 2 Registro online

Favor lembrar-se de registrar seu equipamento da Midas logo após sua compra em www.midasconsoles.com e leia, por gentileza, os termos e condições de nossa garantia limitada. Registrando sua compra e equipamento conosco, ajuda-nos a processar suas solicitações de reparo mais rápida e eficientemente. Obrigado pela sua cooperação!

§ 3 Autorização para o retorno do material

1. Para obter o serviço de garantia, favor contatar o varejista de quem o equipamento foi comprado. Se seu fornecedor MUSIC Group não estiver situado nas suas proximidades, você pode contatar o distribuidor de MUSIC Group para seu país listado em www.midasconsoles.com. Se o seu país não estiver listado por favor contacte "United Kingdom (Midas/KT main office)" {"Escritório principal KT/Midas no Reino Unido"} localizado em "Service ↳ Service/Repairs" {"Serviço ↳ Serviço/Reparações"} no website www.midasconsoles.com. Em alternativa, por favor envie-nos o formulário de devolução de garantia online que pode encontrar em "Service ↳ Warranty Registration" {"Serviço ↳ Registro de Garantia de"} em www.midasconsoles.com ANTES de devolver o produto. Todas as questões

deverão ser acompanhadas pela descrição do problema e pelo número de série do produto. A elegibilidade da garantia irá ser verificada com o recibo de venda original.

2. Subseqüentemente, o produto deve ser retornado em sua caixa de transporte original, juntamente com o número de Autorização de Retorno de Materiais ao endereço indicado pela MUSIC Group.

3. Os envios sem frete pago antecipadamente não serão aceitos.

§ 4 Exclusões de Garantia

1. A presente garantia limitada não cobre as peças consumíveis que incluem, mas não estão limitadas a estas, os fusíveis e as baterias. Onde aplicável, a MUSIC Group garante que as válvulas ou os medidores contidos no produto estão livres de defeitos em material e mão-de-obra por um período de noventa (90) dias a partir da data da compra.

2. Esta garantia limitada não cobre o produto caso este tenha sido eletrônico ou mecanicamente modificado de qualquer forma. Se o produto precisar ser modificado ou adaptado para cumprir com os padrões técnicos e de segurança aplicáveis em um nível nacional ou local, em qualquer país que não seja o país em que o produto foi originalmente desenvolvido e manufaturado, esta modificação/adaptação não deverá ser considerada um defeito em materiais ou mão-de-obra. Esta garantia limitada não cobre qualquer uma dessas modificações/adaptações, mesmo que estas tenham sido feitas apropriadamente ou não. Nos termos da presente garantia limitada, MUSIC Group não deverá ser responsabilizada por qualquer custo resultado de tais modificações/adaptações.

3. A presente garantia limitada cobre apenas o hardware do produto. Não cobre assistência técnica para o uso de hardware ou software e não cobre qualquer produto de software contido ou não no produto. Qualquer software é fornecido "COMO FOR" a não ser que expressamente fornecido com a garantia limitada do software.

4. A presente garantia limitada torna-se inválida caso o número de série aplicado em fábrica tenha sido alterado ou removido do produto.

5. Trabalho de manutenção/reparo gratuito está expressamente excluído da presente garantia limitada, especialmente, se causado por manejo impróprio por parte do usuário. Isto também se aplica a defeitos causados por desgastes devido a uso, especialmente, de botões deslizantes, potenciômetros, chaves/botões, cordas de guitarra, luzes e partes similares.

6. Danos/defeitos causados pelas seguintes condições não estão cobertas pela presente garantia limitada:

- manejo impróprio, negligência ou falha de operação da unidade conforme as instruções dadas nos manuais do usuário ou de serviço Midas;

- conexão ou operação da unidade que, de qualquer forma, não siga as conformidades dos regulamentos técnicos e de segurança aplicados no país onde o produto é usado;
- danos/defeitos causados por ações divinas/naturais (acidente, incêndio, enchente, etc.) ou qualquer outra condição que está além do controle da MUSIC Group.

7. Qualquer reparo ou abertura da unidade feito por pessoas não autorizadas (usuário incluso) anulará validade legal da presente garanti limitada.

8. Se uma inspeção do produto realizada pela MUSIC Group mostrar que o defeito em questão não é coberto pela garantia limitada, os custos da inspeção deverão ser pagos pelo cliente/comprador.

9. Produtos que não cumprem com os termos desta garantia limitada serão consertados sob despesa do comprador. MUSIC Group ou seu centro de serviço autorizado informará o comprador de tal circunstância. Caso o comprador falte em enviar um pedido de reparo por escrito dentro de 6 semanas após a notificação, MUSIC Group devolverá a unidade com pagamento na entrega com uma fatura separada para o frete e embalagem. Tais custos também estarão inclusos em faturas separadas quando o comprador tiver enviado o pedido de reparo por escrito.

10. Fornecedores autorizados MUSIC Group não vendem produtos novos diretamente em leilões online. Compras feitas através de leilões online estão sob os cuidados do comprador. Confirmações e recibos de compra de leilões online não são aceitos para verificação de garantia e a MUSIC Group não consertará ou trocará qualquer produto comprado através de leilões online.

§ 5 Transferência de Garantia

A presente garantia limitada é estendida exclusivamente ao comprador original (cliente de um distribuidor autorizado) e não é transferível a qualquer um que possa subseqüentemente comprar este produto. Nenhuma outra pessoa (distribuidor, etc.) deverá ser intitulada a dar alguma promessa de garantia em nome da MUSIC Group.

§ 6 Processo de indenização

Sujeita somente à operação de leis obrigatórias de aplicação local, a MUSIC Group não terá qualquer obrigação financeira ao comprador pela presente garantia por qualquer perda consecutiva ou indireta ou danos de qualquer espécie. De forma alguma deve a obrigação financeira da MUSIC Group sob a presente garantia exceder o valor total da fatura do produto.

§ 7 Limitação de responsabilidade legal

A presente garantia limitada é a garantia completa e exclusiva entre você e a MUSIC Group. Ela substitui todas as outras

comunicações escritas ou faladas relacionadas a este produto. A MUSIC Group não oferece outras garantias a este produto.

§ 8 Direitos de outra garantia e lei nacional

1. A presente garantia limitada não exclui ou limita os direitos legais do comprador como um consumidor de nenhuma forma.
2. Os regulamentos da garantia limitada aqui mencionados são aplicados ao menos que os mesmos constituam uma infração às leis obrigatórias de aplicação local.
3. Esta garantia não diminui as obrigações do vendedor no que concerne a qualquer falta de conformidade ao produto ou qualquer defeito escondido.

§ 9 Emenda

As condições de serviço de garantia estão sujeitas a mudança sem aviso prévio. Para os últimos termos e condições e informações adicionais com respeito à garantia limitada da MUSIC Group, favor consultar os detalhes completos online em www.midasconsoles.com.

* MUSIC Group Macao Commercial Offshore Limitada de Rue de Pequim No. 202-A, Centro Financeiro de Macau 9/J, Macau, incluindo todo MUSIC Group companhias

DE Wichtige Sicherheitshinweise



Vorsicht

Die mit dem Symbol markierten Anschlüsse führen so viel Spannung, dass die Gefahr eines Stromschlags besteht. Verwenden Sie nur hochwertige, im Handel erhältliche Lautsprecherkabel mit vorinstallierten 6,3 mm TS-Steckern. Alle anderen Installationen oder Modifikationen sollten nur von qualifiziertem Fachpersonal ausgeführt werden.



Achtung

Um eine Gefährdung durch Stromschlag auszuschließen, darf die Geräteabdeckung bzw. Geräterückwand nicht abgenommen werden. Im Innern des Geräts befinden sich keine vom Benutzer reparierbaren Teile. Reparaturarbeiten dürfen nur von qualifiziertem Personal ausgeführt werden.



Achtung

Um eine Gefährdung durch Feuer bzw. Stromschlag auszuschließen, darf dieses Gerät weder Regen oder Feuchtigkeit ausgesetzt werden noch sollten Spritzwasser oder tropfende Flüssigkeiten in das Gerät gelangen können.

Stellen Sie keine mit Flüssigkeit gefüllten Gegenstände, wie z. B. Vasen, auf das Gerät.



Achtung

Die Service-Hinweise sind nur durch qualifiziertes Personal zu befolgen. Um eine Gefährdung durch Stromschlag zu vermeiden, führen Sie bitte keinerlei Reparaturen an dem Gerät durch, die nicht in der Bedienungsanleitung beschrieben sind. Reparaturen sind nur von qualifiziertem Fachpersonal durchzuführen.

- 1 Lesen Sie diese Hinweise.
- 2 Bewahren Sie diese Hinweise auf.
- 3 Beachten Sie alle Warnhinweise.
- 4 Befolgen Sie alle Bedienungshinweise.
- 5 Betreiben Sie das Gerät nicht in der Nähe von Wasser.
- 6 Reinigen Sie das Gerät mit einem trockenen Tuch.
- 7 Blockieren Sie nicht die Belüftungsschlitze. Beachten Sie beim Einbau des Gerätes die Herstellerhinweise.
- 8 Stellen Sie das Gerät nicht in der Nähe von Wärmequellen auf. Solche Wärmequellen sind z. B. Heizkörper, Herde oder andere Wärme erzeugende Geräte (auch Verstärker).
- 9 Entfernen Sie in keinem Fall die Sicherheitsvorrichtung von Zweipol- oder geerdeten Steckern. Ein Zweipolstecker hat zwei unterschiedlich breite Steckkontakte. Ein geerdeter Stecker hat zwei Steckkontakte und einen dritten Erdungskontakt. Der breitere Steckkontakt oder der zusätzliche Erdungskontakt dient Ihrer Sicherheit. Falls das mitgelieferte Steckerformat nicht zu Ihrer Steckdose passt, wenden Sie sich bitte an einen Elektriker, damit die Steckdose entsprechend ausgetauscht wird.
- 10 Verlegen Sie das Netzkabel so, dass es vor Tritten und scharfen Kanten geschützt ist und nicht beschädigt werden kann. Achten Sie bitte insbesondere im Bereich der Stecker, Verlängerungskabel und an der Stelle, an der das Netzkabel das Gerät verlässt, auf ausreichenden Schutz.
- 11 Das Gerät muss jederzeit mit intaktem Schutzleiter an das Stromnetz angeschlossen sein.
- 12 Sollte der Hauptnetzstecker oder eine Gerätesteckdose die Funktionseinheit zum Abschalten sein, muss diese immer zugänglich sein.
- 13 Verwenden Sie nur Zusatzgeräte/ Zubehörteile, die laut Hersteller geeignet sind.
- 14 Verwenden Sie nur Wagen, Standvorrichtungen, Stative, Halter oder Tische, die vom Hersteller benannt oder im Lieferumfang des Geräts enthalten sind.

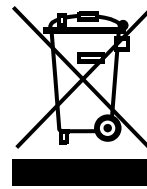


Falls Sie einen Wagen benutzen, seien Sie

vorsichtig beim Bewegen der Wagen-Gerätkombination, um Verletzungen durch Stolpern zu vermeiden.

15 Ziehen Sie den Netzstecker bei Gewitter oder wenn Sie das Gerät längere Zeit nicht benutzen.

16 Lassen Sie alle Wartungsarbeiten nur von qualifiziertem Service-Personal ausführen. Eine Wartung ist notwendig, wenn das Gerät in irgendeiner Weise beschädigt wurde (z. B. Beschädigung des Netzkabels oder Steckers), Gegenstände oder Flüssigkeit in das Geräteinnere gelangt sind, das Gerät Regen oder Feuchtigkeit ausgesetzt wurde, das Gerät nicht ordnungsgemäß funktioniert oder auf den Boden gefallen ist.



17 Korrekte Entsorgung dieses Produkts: Dieses Symbol weist darauf hin, das Produkt entsprechend der WEEE Richtlinie (2002/96/EC) und der

jeweiligen nationalen Gesetze nicht zusammen mit Ihren Haushaltsabfällen zu entsorgen. Dieses Produkt sollte bei einer autorisierten Sammelstelle für Recycling elektrischer und elektronischer Geräte (EEE) abgegeben werden. Wegen bedenklicher Substanzen, die generell mit elektrischen und elektronischen Geräten in Verbindung stehen, könnte eine unsachgemäße Behandlung dieser Abfallart eine negative Auswirkung auf Umwelt und Gesundheit haben. Gleichzeitig gewährleistet Ihr Beitrag zur richtigen Entsorgung dieses Produkts die effektive Nutzung natürlicher Ressourcen. Für weitere Informationen zur Entsorgung Ihrer Geräte bei einer Recycling-Stelle nehmen Sie bitte Kontakt zum zuständigen städtischen Büro, Entsorgungsamt oder zu Ihrem Haushaltsabfallentsorger auf.

Zugelassener Verzicht

Technische Daten und Erscheinungsbild können unangekündigt geändert werden. Irrtümer bleiben vorbehalten. Midas und Klark Technik sind Teil des MUSIC Group (music-group.com). Alle Warenzeichen sind das Eigentum ihrer jeweiligen Besitzer. MUSIC Group übernimmt keine Haftung für Verluste, die Personen entstehen, die sich ganz oder teilweise auf hier enthaltene Beschreibungen, Fotos oder Aussagen verlassen. Abgebildete Farben und Spezifikationen können geringfügig vom Produkt abweichen. MUSIC Group Produkte werden nur über autorisierte Fachhändler verkauft. Die Vertriebspartner und Händler sind keine Vertreter von MUSIC Group und sind nicht berechtigt, MUSIC Group durch ausdrückliche oder stillschweigende Handlungen oder Repräsentanzen zu verpflichten. Diese Bedienungsanleitung ist urheberrechtlich geschützt. Kein Teil dieses Handbuchs darf in irgendeiner Form oder mit irgendwelchen Mitteln

elektronisch oder mechanisch, inklusive Fotokopie oder Aufnahme, zu irgendeinem Zweck ohne die schriftliche Zustimmung der Firma MUSIC Group IP Limited vervielfältigt oder übertragen werden.

ALLE RECHTE VORBEHALTEN.

© 2011 MUSIC Group IP Limited

Trident Chambers, Wickhams Cay, P.O. Box 146, Road Town, Tortola, British Virgin Islands

Eingeschränkte Garantie

§ 1 Garantie

1. Diese eingeschränkte Garantie ist nur gültig, wenn Sie das Produkt von einem autorisierten MUSIC Group Händler im Einkaufsland erworben haben. Eine Liste mit autorisierten Händlern finden Sie auf MUSIC Groups Website www.midasconsoles.com unter "Where to Buy" oder Sie kontaktieren eine MUSIC Group Niederlassung in Ihrer Nähe.

2. MUSIC Group* garantiert für den Zeitraum von drei (3) Jahren ab Datum des Erstkaufs, sofern keine längere Mindestgaranzzeit von geltenden örtlichen Gesetzen gefordert ist, dass die mechanischen und elektronischen Bauteile des Gerätes frei von Material- und Verarbeitungsfehlern sind, wenn das Gerät unter normalen Betriebsbedingungen eingesetzt wird (siehe Bedingungen der eingeschränkten Garantie in § 4 unten). Wenn das Produkt während der festgelegten Garanzzeit einen Defekt aufweist und dieser Defekt nicht unter § 4 ausgeschlossen ist, wird MUSIC Group nach ihrem Ermessen das Produkt mittels geeigneter neuer oder aufbereiteter Produkte oder Bauteile entweder ersetzen oder reparieren. Sollte MUSIC Group sich entschließen, das Produkt komplett zu ersetzen, wird diese eingeschränkte Garantie für die Dauer der verbleibenden ursprünglichen Garanzzeit, d. h. drei (3) Jahre (oder eine andere anwendbare Mindestgaranzzeit) ab Datum des Erstkaufs auf das Ersatzprodukt angewandt.

3. Bei berechtigten Garanzansprüchen wird das reparierte oder ersetzte Produkt frachtfrei von MUSIC Group an den Kunden zurückgesandt.

4. Andere als die vorgenannten Garanzleistungen werden nicht gewährt.

BITTE BEWAHREN SIE IHREN KASSENZETTEL SORGFÄLTIG AUF. ER DIENT ALS KAUFBELEG UND GARANTIEBERECHTIGUNG. OHNE KAUFBELEG HABEN SIE KEINEN GARANZANSPRUCH.

§ 2 Online Registrierung

Registrieren Sie bitte Ihr neues Midas Gerät möglichst direkt nach dem Kauf unter www.midasconsoles.com und lesen Sie aufmerksam die Bedingungen unserer eingeschränkten Garantie. Nach der Registrierung Ihres Kaufs und Geräts bei uns können wir Ihre Reparaturansprüche wesentlich

schneller und effizienter bearbeiten. Vielen Dank für Ihre Mitarbeit!

§ 3 Reparaturnummer

1. Um Garanzleistungen zu erhalten, setzen Sie sich bitte mit dem Händler in Verbindung, bei dem Sie das Gerät gekauft haben. Sollte sich Ihr MUSIC Group Händler nicht in Ihrer Nähe befinden, können Sie auch den MUSIC Group Vertrieb Ihres Landes kontaktieren, der unter www.midasconsoles.com zu finden ist. Wenn Ihr Land nicht aufgelistet ist, kontaktieren Sie bitte das "United Kingdom (Midas/KT main office)" {"(Midas/KT Hauptbüro) Großbritannien"} in der Rubrik "Service ↳ Service/Repairs" {"Service ↳ Service/Reparaturen"} auf der www.midasconsoles.com Website. Alternativ können Sie auch in der Rubrik "Service ↳ Warranty Registration" {"Service ↳ Garanzregistrierung"} von www.midasconsoles.com das Online-Formular zur Rücksendung im Garanzfall ausfüllen, BEVOR Sie das Produkt zurückschicken. Alle Anfragen müssen durch eine Beschreibung des Problems und die Seriennummer des Produkts ergänzt werden. Der Garanzanspruch wird anhand des originalen Kaufbelegs überprüft.

2. Das Gerät muss anschließend im Originalkarton zusammen mit der Reparaturnummer an die von MUSIC Group genannte Adresse geschickt werden.

3. Unfreie Sendungen werden nicht angenommen.

§ 4 Garanzausschluss

1. Diese eingeschränkte Garantie gilt nicht für Verschleißteile, wie Sicherungen und Batterien. Wo anwendbar, gewährt MUSIC Group für neunzig (90) Tage ab Kaufdatum die Garantie, dass die im Produkt enthaltenen Röhren oder Anzeigen frei von Material- und Verarbeitungsfehlern sind.

2. Diese eingeschränkte Garantie gilt nicht für Produkte, die auf irgendeine Weise elektronisch oder mechanisch modifiziert wurden. Wenn ein Produkt verändert oder angepasst werden muss, damit es in einem Land, für das es ursprünglich nicht entwickelt oder hergestellt wurde, den geltenden technischen oder sicherheitstechnischen Standards auf nationaler oder lokaler Ebene entspricht, ist diese Veränderung/Anpassung nicht als Material- oder Verarbeitungsfehler anzusehen. Diese eingeschränkte Garantie umfasst nicht derartige Veränderungen/Anpassungen unabhängig davon, ob diese ordnungsgemäß durchgeführt wurden oder nicht. MUSIC Group übernimmt im Rahmen dieser Garantie für derartige Veränderungen auch keine Kosten.

3. Diese eingeschränkte Garantie gilt nur für die Hardware des Produkts. Sie schließt keine technische Unterstützung für die Anwendung der Hard- oder Software ein und sie gilt nicht für Software-Produkte, gleichgültig ob sie im Produkt enthalten sind oder nicht. Die Software wird im

"IST-ZUSTAND" geliefert, sofern ihr keine besondere eingeschränkte Software-Garanz beiliegt.

4. Diese eingeschränkte Garantie erlischt, wenn die im Werk angebrachte Seriennummer verändert oder entfernt wurde.

5. Diese eingeschränkte Garantie berechtigt nicht zur kostenlosen Inspektion und Wartung/Reparatur des Geräts, insbesondere wenn die Defekte auf unsachgemäße Benutzung zurückzuführen sind. Die Garantie gilt auch nicht für Defekte durch normale Abnutzung, besonders bei Fadern, Crossfadern, Potentiometern, Tasten, Gitarrensaiten, Leuchtmitteln und ähnlichen Teilen.

6. Unter diese eingeschränkte Garantie fallen auch keine Schäden/Defekte, die verursacht wurden durch:

- unsachgemäße Handhabung, Nachlässigkeit oder Fehlgebrauch des Gerätes entgegen den Hinweisen, die in den Bedienungs- oder Wartungsanleitungen der Firma Midas aufgeführt sind;
- den Anschluss oder Gebrauch des Produkts in einer Weise, die den geltenden technischen oder sicherheitstechnischen Anforderungen in dem Land, in dem das Gerät eingesetzt wird, nicht entspricht;
- Schäden/Defekte, die durch höhere Gewalt/ Natur (Unglück, Brand, Überschwemmung usw.) oder andere nicht auf die Firma MUSIC Group zurückführbare Ursachen bedingt sind.

7. Die eingeschränkte Garantie erlischt, wenn das Gerät durch nicht autorisierte Personen (einschließlich dem Kunden) repariert oder geöffnet wurde.

8. Sollte bei einer Überprüfung des Geräts durch MUSIC Group festgestellt werden, dass der fragliche Defekt nicht unter die eingeschränkte Garantie fällt, muss der Kunde die Kosten der Überprüfung tragen.

9. Produkte ohne Garanzanspruch werden nur gegen Kostenübernahme durch den Käufer repariert. MUSIC Group oder ihr autorisiertes Service-Center wird den Kunden vorab über die Sachlage informieren. Sollte der Kunde innerhalb von sechs Wochen nach Benachrichtigung keinen schriftlichen Reparaturauftrag mit Kostenübernahme erteilen, wird MUSIC Group das Gerät mit einer separaten Rechnung für Fracht und Verpackung per Nachnahme an den Kunden zurücksenden. Wenn ein Reparaturauftrag gegen Kostenübernahme erteilt wird, werden die Kosten für Fracht und Verpackung zusätzlich, ebenfalls gesondert, in Rechnung gestellt.

10. Autorisierte MUSIC Group Händler verkaufen neue Produkte nicht direkt in online Auktionen. Käufe in online Auktionen sind mit Risiken behaftet. Bestätigungen von Käufen in online Auktionen oder Kaufbelege werden bei der Garanzüberprüfung nicht akzeptiert und die in einer online Auktion gekauften Produkte werden von MUSIC Group weder repariert noch ersetzt.

§ 5 Übertragbarkeit der Garantie

Diese eingeschränkte Garantie wird ausschließlich dem ursprünglichen Käufer (Kunde des Vertragshändlers) gewährt und ist nicht übertragbar auf Personen, die das Produkt anschließend kaufen. Außer der Firma MUSIC Group ist kein Dritter (Händler etc.) berechtigt, Garantieverprechen für die Firma MUSIC Group abzugeben.

§ 6 Schadenersatzansprüche

Vorbehaltlich der Durchsetzung lokalen Rechts, ist MUSIC Group unter dieser Garantie dem Käufer gegenüber nicht haftbar für resultierende oder indirekte Verluste oder Schäden jeglicher Art. Die Haftung der Firma MUSIC Group beschränkt sich in allen Fällen auf den Warenwert des Gerätes.

§ 7 Haftungsbeschränkung

Diese eingeschränkte Garantie ist die vollständige und einzige Garantie, die von der Firma MUSIC Group gewährt wird. Sie setzt alle anderen schriftlichen oder mündlichen Vereinbarungen bezüglich dieses Produkts außer Kraft. MUSIC Group gewährt keine weiteren Garantien für dieses Produkt.

§ 8 Andere Garantien und nationale Gesetze

1. Durch diese eingeschränkte Garantie werden die gesetzlichen Rechte des Käufers als Verbraucher weder ausgeschlossen noch eingeschränkt.
2. Die hier erwähnten eingeschränkten Garantiebedingungen gelten nur, solange sie kein geltendes lokales Recht verletzen.

3. Diese Garantie verringert nicht die Verpflichtungen des Verkäufers zur Behebung von mangelnder Konformität und versteckten Defekten des Produkts.

§ 9 Zusatz

Die Garantiebedingungen können unangekündigt geändert werden. Die aktuellsten Garantiesatzungen und -bedingungen sowie weitere Informationen zur eingeschränkten Garantie von MUSIC Group finden Sie online unter www.midasconsoles.com.

* MUSIC Group Macao Commercial Offshore Limited of Rue de Pequim No. 202-A, Macau Finance Centre 9/J, Macau, inklusive aller Firmen der MUSIC Group

EN

ES

FR

PT

DE

Licences

The following are the license agreements applicable to the Midas Digital Equipment.

End-User Licence Agreement for Midas™ and Klark Teknik™ Software

IMPORTANT - Please read this document carefully before using this Midas™ or Klark Teknik™ Product. This is an agreement governing your use of software or other machine instructions already installed on this Midas™ or Klark Teknik™ Product, as well as other software that we provide for installation on this Product. The Midas™ or Klark Teknik™ Product will not operate in accordance with its documentation without this software.

THIS AGREEMENT ("AGREEMENT" OR "LICENCE") STATES THE TERMS AND CONDITIONS UPON WHICH MIDAS KLARK TEKNIK LIMITED ("COMPANY") OFFERS TO LICENSE THE INSTALLED FIRMWARE, SOFTWARE AND/OR PROGRAMS ("the SOFTWARE") WITH THE MIDAS™ OR KLARK TEKNIK™ CONSOLE OR SIGNAL PROCESSING PRODUCT ("PRODUCT") IN WHICH IT HAS BEEN INSTALLED BY, OR FOR WHICH IT IS PROVIDED BY, THE COMPANY. BY USING THIS PRODUCT YOU WILL BE AGREEING TO BECOME BOUND BY THE TERMS OF THIS LICENCE. IF YOU DO NOT AGREE TO THE TERMS OF THIS LICENCE, DO NOT USE THIS PRODUCT AND PROMPTLY RETURN THE PRODUCT TO THE PLACE WHERE YOU OBTAINED IT FOR A FULL REFUND. You agree to notify any persons whom you permit to operate this Product of the terms of this Licence, and to require them to comply with these terms.

The Software is licensed, not sold, to you for use only under the terms of this Licence, and the Company reserves all rights not expressly granted to you. The Company retains ownership of all copies of the Software itself, and all proprietary parts of it, including those stored on or in the Product.

1. **Licence:** Subject to the terms and conditions of this agreement, the Company grants you, and other persons you permit to operate the Product, a personal, limited, non-exclusive, non-transferable licence to use the Software only on the single Product unit in which it has been installed.

2. **Restrictions:** (a) The Software, and the accompanying written materials, are copyrighted and contain trade secrets and other proprietary matter, including confidential information relating to the specifications and performance characteristics of this Product. Save for such elements as may be licensed to the Company, as described in paragraph 5, all rights to copyrights, trade marks and trade secrets in the Software, or any modifications to it, are owned by the Company. Unauthorised use or copying of the Company's proprietary Software, or any portion

thereof, or copying of those written materials, is prohibited. (b) You may not create, market, distribute, or transfer copies of the Company's proprietary Software, or any part of it, to others, or duplicate, rent, lease or loan that Software, or any part of it, except that you may transfer that Software installed in this Product in conjunction with the sale, transfer, loan, rent or lease of this Product, and subject at all times to this Licence. YOU MAY NOT REVERSE ENGINEER, DECOMPILE, DISASSEMBLE, EXTRACT OR SEPARATE OUT, MODIFY, ADAPT, PORT, OR TRANSLATE THE SOFTWARE, DERIVE THE SOURCE CODE OF THE SOFTWARE OR CREATE DERIVATIVE WORKS BASED ON THE SOFTWARE OR ANY ACCOMPANYING WRITTEN MATERIALS, save as is allowed by licences pertaining to component parts of the Software which are licensed by third parties, as described under paragraph 5, or otherwise by law. (c) In the event you violate any term of this Licence, all rights granted herein will automatically and immediately terminate and you must stop using the Software and destroy any copies of the Software.

3. **Limited Warranty:** Subject to your installation of any Software updates issued by the Company as described herein, and the condition below, the Company warrants that the Software will operate in compliance with the Software's material specifications and documentation for a period of 90 days from your purchase of this Product. The Software is provided "as is" and the Company does not warrant that the operation of the Software will meet your requirements or operate free from error. To the greatest extent permissible by law, the Company DISCLAIMS ALL WARRANTIES AND CONDITIONS, EITHER EXPRESS OR IMPLIED, INCLUDING THE WARRANTIES OF MERCHANTABILITY, FITNESS FOR A PARTICULAR PURPOSE, NON-INFRINGEMENT OF THIRD PARTY RIGHTS OR CAPABILITY OF CORRECTLY PROCESSING PROVIDING AND/OR RECEIVING DATE INFORMATION. You understand that the Company may update or revise the Software but in so doing incurs no obligation to furnish such updates to you. However, the Company may in its discretion make updates available from time to time upon such terms and conditions as it shall determine. It is a condition of the above warranty that you install any such Software updates, as may be issued from time to time by the Company for the Software, in accordance with the Company's instructions, and if you do not do so such warranty will cease to apply. You may view current Software updates at <http://www.klarktechnik.com> and <http://www.midasconsoles.com>.

4. **Limited Liability:** THE ENTIRE RISK ARISING OUT OF YOUR USE OR PERFORMANCE OF THE SOFTWARE REMAINS WITH YOU. THE LIABILITY OF THE COMPANY FOR ANY CLAIMS ARISING OUT OF THIS LICENCE AND/OR BASED UPON THE SOFTWARE, REGARDLESS OF THE FORM OF ACTION, AND INCLUDING WORK STOPPAGE, PRODUCT FAILURE OF MALFUNCTION OR ANY OTHER COMMERCIAL LOSS OR DAMAGE, SHALL NOT EXCEED THE COST OF THE LICENCE FEE FOR THE SOFTWARE OR THE COST OF THIS PRODUCT. SUBJECT TO THE PROVISIONS OF APPLICABLE LAW, IN NO EVENT SHALL THE COMPANY BE LIABLE FOR ANY LOSS OF DATA, LOST

OPPORTUNITY OR PROFITS, COST OF COVER OR SPECIAL, INCIDENTAL, CONSEQUENTIAL, OR INDIRECT DAMAGES, EVEN IF YOU ADVISE THE COMPANY OF THE POSSIBILITY OF SUCH DAMAGES. THIS IS A FUNDAMENTAL TERM OF THIS AGREEMENT AND YOU ACKNOWLEDGE THAT THE AMOUNT YOU PAID FOR THE SOFTWARE AND/OR THE PRODUCT REFLECTS THIS ALLOCATION OF RISK. NOTHING IN THIS PARAGRAPH PURPORTS TO EXCLUDE OR LIMIT THE COMPANY'S LIABILITY FOR DEATH OR PERSONAL INJURY CAUSED BY NEGLIGENCE OR ANY OTHER LIABILITY WHICH CANNOT BE EXCLUDED OR LIMITED BY LAW.

5. **Other Third-Party Computer Programs:** As referred to herein, the term "Software" refers only to proprietary Midas™ or Klark Teknik™ software, owned by the Company, that has been provided to you for installation on, or already installed in, a Product. In addition to the Software, you may have also been provided, at no additional charge, with a version of the widely-available GNU Linux Operating System, which is a modular operating system made up of hundreds of individual software components, each of which was written, and the copyright and other rights in which are owned individually, by various parties (collectively, "the GNU Linux Programs"). Each component has its own applicable end user licence agreement, and many of these agreements permit you to copy, modify, and redistribute the applicable software, but you must review the on-line documentation that shares a directory or otherwise accompanies each of the GNU Linux Programs provided to you for the specific terms and conditions. Nothing in this Licence limits your rights under, or grants you rights that supersede, the terms of any other applicable end user licence agreement. If you wish to receive a computer-readable copy of the source code for any of the GNU Linux Programs that have been provided with your Midas™ or Klark Teknik™ Product, send a cheque or money order (no cash accepted), your address and [£10.00] to cover the cost of optical media, postage and handling, to:

MUSIC Group Research UK Limited
ATTN: Linux Programs CD for Midas™/Klark Teknik™
Walter Nash Road,
Kidderminster.
Worcestershire.
DY11 7HJ.
England.

In your request, indicate your Product's name and model number, serial number and version/release information. In your request, also indicate the relevant Software version/release information. This offer, made pursuant to the GNU Linux Programs' end user licence agreements, may expire according to the terms of those agreements, in which case your cheque will be returned to you or destroyed at our option. *Please note that the GNU Linux Programs that may be available to you under this offer consists of the GNU Linux Operating System components only and none of the proprietary application software developed by Midas or Klark Teknik is included.* Other updated Linux distributions containing application software are widely available from a variety of Internet sources, and are often available at minimal or no cost.

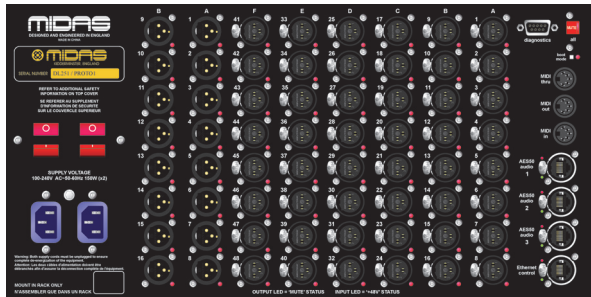
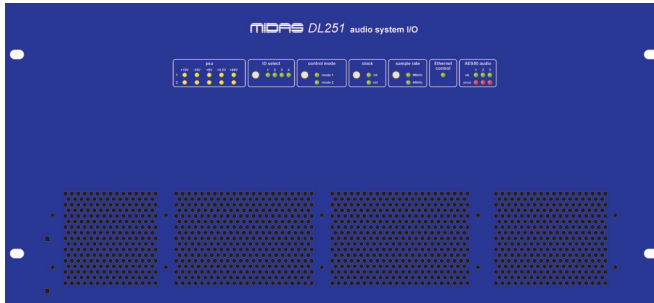
6. **Termination:** This Licence will terminate immediately if you violate any of the Licence terms. Upon termination you must discontinue use of the Software, and either destroy, erase or return to Company all copies of the Software in your possession, custody or control, including those in or on the Product.

7. **General:** This Licence constitutes the entire agreement between you and the Company with respect to this Software and, save in the case of fraud, supersedes any other communication (including advertising). Company reserves all rights not expressly granted to you in this licence. If any provision of this Licence is held unenforceable, that provision shall be enforced to the maximum extent permissible so as to give effect the intent of this Licence, and the remainder of this Licence shall continue in full force and effect. This Licence shall be governed by English law and the Courts of England and Wales will have exclusive jurisdiction to hear and decide any dispute concerning it or its formation. No breach by you of any provision of this Licence shall be waived or discharged except with the express written consent of the Company and no failure or delay by the Company to exercise any of its rights under this Licence shall operate as a waiver thereof and no single or partial exercise of any such right shall prevent any other or further exercise of that or any other right. You acknowledge that the Company could be irreparably damaged if the terms of this Licence were not specifically enforced, and agree that the Company may seek appropriate equitable remedies with respect to breaches of this Licence, including injunctive relief, in addition to such other remedies as the Company may otherwise have available to it under applicable laws.

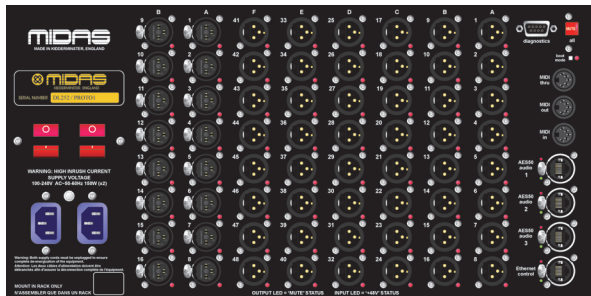
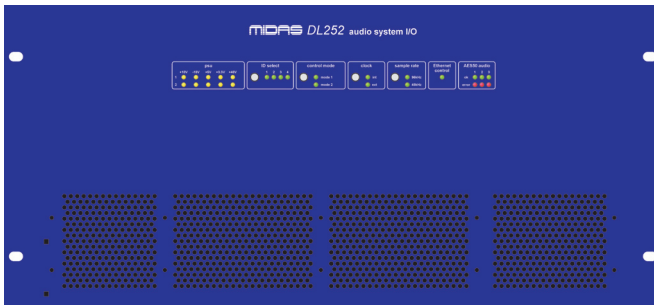
GNU General Public License (GPL)

For details of the Third Party Software License Attribution, Copyright and Terms and Conditions and Notices, and the GNU LESSER GENERAL PUBLIC LICENSE, see the Midas Digital Equipment GNU General Public License (GPL) Booklet part number DOC04-GPL.

DL251/DL252 Introduction



DL251



DL252

EN 1. Introduction

Welcome!

Thank you for purchasing a DL251/DL252 Audio System I/O.

The DL251 and DL252 Audio System I/Os are 19" rack units designed for use with Midas digital systems.

Your DL251/DL252 Audio System I/O was conceived by Midas to offer audio professionals high-performance audio equipment, designed to provide no-compromise sonic quality with a feature set that offers all essential facilities and functions. It represents the very best of British design and engineering combined with contemporary, efficient

manufacturing methods, and will give you many years of reliable service.

So, to obtain the best results with a minimum of effort, please read this operator manual and, finally, enjoy your Midas DL251/DL252 Audio System I/O!

Key features

The DL251/DL252 Audio System I/Os have the following key features:

- **Mic/line inputs** The DL251 has 48 mic/line inputs and the DL252 has 16 mic/line inputs.
- **Line outputs** The DL251 has 16 outputs and the DL252 has 48 outputs.
- **Operator interface** A series of sections on the front panel have LEDs to convey operating/configuration status to the operator. Some sections have a configuration button for setting up the unit's parameters, such as clock source, sample rate, etc.
- **MIDI** Both units have **in**, **out** and **thru** MIDI sockets supplied as standard. (For use with Midas consoles only.)
- **AES50** Three AES50 inputs/outputs provide connection to the console/snake via EtherCon® XLRs, which are configured for N+1 cable redundancy.
- **Sample rate** Switchable between 96kHz and 48kHz sample rates.
- **Ethernet** An **Ethernet control** socket on the rear panel allows Ethernet control via Cat 5e cable up to 100 m long.
- **A/D** Analogue to digital conversion is by default 24-bit, 96kHz.
- **Gain range** From -2.5dB to +45dB in 2.5dB steps.
- **Mute** A **MUTE** button on the rear panel will mute all outputs simultaneously for on-stage patching, if held in for longer than one second.
- **Boot mode** A recessed **boot mode** button on the rear panel selects between normal operation and a service personnel-only configuration boot mode.
- **Diagnostics** A D-type connector on the rear panel allows diagnostics (by service personnel only) to be carried out on the unit.
- **Power supplies** Dual redundant power supplies, each with dual locking mains connectors.

About this manual

This is the operation manual for the DL251 Audio System I/O and DL252 Audio System I/O. It is intended to help get your unit installed and in operation as quickly as possible by giving you unpacking, installation, connection, setting up and operating instructions. To help familiarise you with the DL251/DL252 there is a description of the front and rear panels, along with easy-to-follow user instructions.

ES 1. Introducción

¡Bienvenido!

Felicidades y gracias por su compra de un sistema de E/S audio DL251/DL252.

Los sistemas de E/S audio DL251 y DL252 son unidades rack de 19" diseñadas para su uso con sistemas digitales Midas.

Su sistema de E/S audio DL251/DL252 fue ideada en Midas con la idea de ofrecer a los profesionales del mundo del audio dispositivos audio de alto rendimiento y ha sido diseñada para poner en sus manos una calidad sónica sin igual con unas características que le garantizan todas las funciones y necesidades esenciales. Representa lo máximo en cuanto a diseño e ingeniería británicos combinado con unos métodos de fabricación modernos y eficientes para garantizarle muchos años de un funcionamiento fiable.

Por este motivo, y de cara a que consiga los mejores resultados con el mínimo esfuerzo posible, le rogamos que lea este manual de instrucciones. Y lo más importante... ¡esperamos que disfrute de su sistema de E/S audio Midas DL251/DL252!

Características principales

Los sistemas de E/S audio DL251/DL252 le ofrecen las siguientes características principales:

- **Entradas de micro/línea:** El DL251 dispone de 48 entradas de micro/línea, 16 en el caso del DL252.
- **Salidas de línea:** El DL251 tiene 16 salidas, mientras que el DL252 tiene 48.
- **Interface de usuario:** Una serie de secciones del panel frontal disponen de pilotos LED para indicar el estado de configuración/funcionamiento al usuario. Algunas secciones disponen de un botón de configuración que permite el ajuste de parámetros de la unidad, tales como la fuente de señal de reloj, frecuencia de muestreo, etc.
- **MIDI:** Ambas unidades disponen de conectores MIDI de entrada, salida y thru de forma standard. (Únicamente para su uso con mesas de mezclas Midas).
- **AES50:** Tres entradas/salidas AES50 le permiten la conexión a la mesa de mezclas/manguera a través de XLR EtherCon®, configurados para redundancia de cable N+1.
- **Frecuencia de muestreo:** Conmutable entre 96 y 48 kHz.
- **Ethernet:** Una toma de control Ethernet en el panel trasero permite el control Ethernet por medio de un cable Cat 5e de hasta 100 m.
- **A/D:** La conversión analógica a digital es por defecto a 96 kHz, 24 bits.
- **Rango de ganancia:** Desde -2,5 a +45 dB en pasos de 2,5 dB cada uno.
- **Anulación o mute:** Un botón **MUTE** en el panel trasero anulará a la vez todas las salidas para una reconfiguración en el escenario, siempre y cuando lo mantenga pulsado durante más de 1 segundo.
- **Modo Boot.** Un botón encastrado de modo Boot en el panel trasero le permite elegir entre el modo operativo

normal y uno modo de arranque de configuración que solo debe ser usado por personal del servicio técnico.

- **Diagnósticos:** Un conector de tipo D en el panel trasero permite la realización de una serie de diagnósticos a la unidad (solo deben ser realizados por personal del servicio técnico).
- **Fuentes de alimentación:** Doble fuente de alimentación redundante, cada una con una toma para cable de corriente con enganche de seguridad.

Acerca de este manual

Este es el manual de instrucciones del sistema de E/S audio DL251 y del sistema de E/S audio DL252. Este manual ha sido diseñado para ayudarle a instalar y poner en marcha la unidad lo más rápido posible a través de instrucciones de desembalaje, instalación, conexión, configuración y manejo de esta unidad. Para que se familiarice más fácilmente con el DL251/DL252 hay una descripción de los paneles frontal y posterior junto con una instrucciones de uso muy fáciles de seguir.

FR 1. Introduction

Bienvenue !

Merci d'avoir choisi ce système d'entrées/sorties audio DL251/DL252.

Les systèmes d'entrées/sorties audio DL251 et DL252 sont au format Rack 19 pouces et ont été conçus pour les systèmes numériques Midas.

Votre système d'entrées/sorties audio DL251/DL252 a été conçu par Midas pour offrir aux professionnels de l'audio des équipements hautes performances, offrant des résultats sonores exempts de tout compromis, et regroupant toutes les fonctions dont vous pouvez avoir besoin. Ce système est le fleuron du Design et de l'ingénierie Britannique, réalisé avec les méthodes de fabrication les plus efficaces, pour vous offrir de très nombreuses années d'utilisation en toute fiabilité.

Ainsi, pour obtenir les meilleurs résultats avec un minimum d'efforts, prenez le temps de lire ce mode d'emploi, vous n'en apprécierez que plus ce système d'entrées/sorties audio Midas DL251/DL252 !

Fonctions générales

Les systèmes d'entrées/sorties audio DL251 et DL252 vous offrent les fonctions suivantes :

- **Entrées Micro/ligne** Le DL251 possède 48 entrées micro/ligne et le DL252 possède 16 entrées micro/ligne.
- **Sorties ligne** Le DL251 offre 16 sorties et le DL252 offre 48 sorties.
- **Interface utilisateur** Certaines section de la face avant sont équipées de Leds reflétant le statut de fonctionnement/configuration du système à l'utilisateur. Certaines sections disposent d'une touche de configuration permettant de définir les paramètres, comme la source d'horloge, la fréquence d'échantillonnage, etc.

EN

ES

FR

PT

DE

18 DL251 Audio System I/O

- **MIDI** Les deux systèmes sont équipés d'embases MIDI **In**, **Out** et **Thru** (pour l'utilisation avec les consoles Midas uniquement.)
- **AES50** Trois entrées/sorties AES50 permettent la connexion à la console et/ou au multipaire par XLR EtherCon®, configurées en redondance câble N+1.
- **Fréquence d'échantillonnage** Commutable entre 96 kHz et 48 kHz.
- **Ethernet** Embase Ethernet située en face arrière permettant la gestion réseau Ethernet par câble Cat 5e, d'une longueur maximale de 100 m.
- **A/N** La conversion Analogique/Numérique se fait par défaut en 24-bits, à 96 kHz.
- **Plage de gain** De -2,5 dB à +45 dB par pas de 2,5 dB.
- **Coupure/Mute** La touche **MUTE** de la face arrière coupe toutes les sorties, pour permettre les connexions sur scène, si vous appuyez plus d'une seconde.
- **Mode de Boot** Une touche de sélection du mode de Boot en retrait de la face arrière vous permet de lancer le système en mode de fonctionnement normal ou en mode de maintenance, accessible uniquement par les personnels autorisés.
- **Diagnostics** Le connecteur de type D de la face arrière permet le diagnostic de l'appareil (par un personnel autorisé, uniquement).
- **Alimentations** Deux alimentations secteurs redondantes avec deux embases secteur à verrouillage.

À propos de ce mode d'emploi

Ceci est le mode d'emploi du système d'entrées/sorties audio DL251 et du système d'entrées/sorties audio DL252. Il a été écrit pour vous aider à installer et à utiliser ces produits aussi vite que possible en vous donnant les instructions de déballage, d'installation, de connexion, de mise en œuvre et d'utilisation. Pour vous aider à vous familiariser avec le DL251/DL252, voici la description des faces avant et arrière, avec les instructions utilisateur faciles à suivre.

PT 1. Introdução

Bem-vindo!

Obrigado por ter adquirido um Sistema de Áudio DL251/DL252 I/O.

Os Sistemas de Áudio DL251 e DL252 I/Os são unidades de prateleiras de 19" projetadas para serem usadas com os Sistemas Digitais Midas.

O seu Sistema de Áudio DL251/DL252 I/O foi concebido pelo Midas com o objetivo de proporcionar alto desempenho de equipamento de som a profissionais de áudio, projetado para fornecer sem comprometimento da qualidade sonora, um jogo de recursos que oferece todas as facilidades e funções essenciais. Ele representa o melhor em desenho e engenharia britânica associado a métodos de fabricação contemporâneos e eficientes, e lhe proporcionará muitos anos de serviço de confiança.

Então, para obter os melhores resultados com o mínimo de esforço, por favor leia o manual do usuário e, finalmente, curta o seu Sistema de Áudio DL251/DL252 I/O Midas!

Recursos Principais

O Sistema de Áudio DL251/DL252 I/O tem os seguintes recursos principais:

- **Entradas de microfone/linha** O DL251 tem 48 entradas de microfone/linha e o DL252 tem 16 entradas de microfone/linha.
- **Saídas de Linha** O DL251 tem 16 saídas e o DL252 tem 48 saídas.
- **Interface do usuário** Uma série de seções no painel frontal tem leds para transportar o status da operação/configuração ao usuário. Algumas seções têm um botão de configuração para ajustar os parâmetros da unidade, tais como a fonte do relógio, taxa da amostragem, etc.
- **MIDI** Ambas as unidades têm tomadas de entrada, saída e thru MIDI que são fornecidas de forma padrão. (Somente para uso de consoles Midas.)
- **AES50** Três entradas/saídas AES50 fornecem conexão ao console/snake através dos EtherCon® XLRs, que são configurados para a redundância do cabo N+1.
- **Taxa da amostragem** Comutável entre taxas de amostragem de 96kHz e 48kHz.
- **Ethernet** Uma tomada de controle Ethernet no painel traseiro permite controle da Ethernet através do cabo Cat 5e que vai até 100 m de comprimento.
- **A/D** Conversão análoga-digital A/D é padrão 24-bit, 96kHz.
- **Faixa de Ganho** De -2.5dB até +45dB em passos de 2.5dB.
- **Mute** Um botão **MUTE** no painel traseiro acionará o mute em todas as saídas simultaneamente para patch de palco, se for apertado por mais de um segundo.
- **Modo Boot** Um botão de modo boot em recesso, no painel traseiro, seleciona entre um modo boot de operação normal e um dedicado exclusivamente para pessoal de serviço.
- **Diagnósticos** Conector tipo A D no painel traseiro possibilita que um diagnóstico (feito exclusivamente por pessoal de serviço) seja feito na unidade.
- **Fontes de Alimentação** Duas fontes de alimentação redundantes, cada uma com conectores de alimentação de bloqueio duplo.

Sobre este manual

Este é um manual de operação para o Sistema de Áudio DL251 I/O e DL252 I/O. Ele destina-se a ajudar na instalação da sua unidade e sua operação da maneira mais rápida possível, pois lhe oferece instruções de desembalagem, instalação, conexão, configuração e operação. Para ajudá-lo a se familiarizar com o DL251/DL252 há uma descrição dos painéis frontais e traseiros, juntamente com as instruções do usuário que são fáceis de serem seguidas.

DE 1. Einleitung

Willkommen!

Herzlichen Dank für den Kauf eines DL251/DL252 Audio System I/O.

Die DL251 und DL252 Audio System I/Os sind 19" Rack-Geräte und wurden für den Einsatz mit Midas-Digitalsystemen entwickelt.

Das von Midas entwickelte DL251/DL252 Audio System I/O ist ein leistungsstarkes Audiogerät für Audioprofis und bietet kompromisslose Klangqualität sowie ein Feature-Set mit allen unentbehrlichen Optionen und Funktionen. Das DL251/DL252 verkörpert erstklassige britische Planung und Konstruktion sowie effiziente, moderne Produktionsverfahren und wird Ihnen über Jahre zuverlässige Dienste leisten.

Um die besten Ergebnisse bei minimalem Aufwand zu erzielen und Ihr Midas DL251/DL252 Audio System I/O zu genießen, sollten Sie dieses Bedienungshandbuch lesen!

Hauptfunktionen

Die DL251/DL252 Audio System I/Os zeichnen sich durch folgende Hauptfunktionen aus:

- **Mic/Line-Eingänge** Das DL251 verfügt über 48 Mic/Line-Eingänge und das DL252 über 16 Mic/Line-Eingänge.
- **Line-Ausgänge** Das DL251 verfügt über 16 Ausgänge und das DL252 über 48 Ausgänge.
- **Bediener-Interface** Die LEDs in einigen vorderseitigen Sektionen informieren Sie über den Betriebs/ Konfigurationsstatus. Manche Sektionen verfügen über eine Konfigurationstaste zum Einrichten von Geräteparametern, z. B. Clock Source, Samplerate etc.
- **MIDI** Beide Geräte sind standardmäßig mit MIDI In-, Out- und Thru-Buchsen ausgerüstet (nur mit Midas-Mischpulten verwendbar).
- **AES50** Drei AES50 Eingänge/Ausgänge stellen die Verbindung zum Mischpult/Multicore via EtherCon® XLR her und sind für N+1 Kabelredundanz konfiguriert.
- **Samplerate** Zwischen 96kHz und 48kHz umschaltbare Sampleraten.
- **Ethernet** Ein rückseitiger Ethernet control-Anschluss ermöglicht die Ethernet-Steuerung über ein bis zu 100 m langes Cat 5e Kabel.
- **A/D** Analog/Digitalwandlung voreingestellt auf 24-Bit, 96 kHz.
- **Gain-Bereich** Von -2,5 dB bis +45 dB in Schritten von 2,5 dB.
- **Mute** Wenn man die rückseitige MUTE-Taste länger als eine Sekunde gedrückt hält, werden alle Ausgänge gleichzeitig stummgeschaltet - z. B. für die Neuverkabelung auf der Bühne.
- **Boot-Modus** Eine rückseitige versenkte Boot Mode-Taste schaltet zwischen Normalbetrieb und einem nur Wartungspersonal vorbehaltenen Konfigurations-Bootmodus um.

- **Fehlerdiagnose** Über einen rückseitigen Sub-D Anschluss lässt sich eine (dem Wartungspersonal vorbehaltene) Fehlerdiagnose am Gerät durchführen.
- **Netzteile** Zwei redundante Netzteile mit zwei verriegelbaren Netzanschlüssen.

Über dieses Handbuch

Dies ist das Bedienungshandbuch für das DL251 Audio System I/O und das DL252 Audio System I/O. Es gibt Ihnen Anleitungen zum Auspacken, Installieren, Anschließen, Einrichten und Betreiben des Geräts, um Ihnen bei einer möglichst schnellen Installation und Inbetriebnahme zu helfen. Damit Sie sich einfacher mit dem DL251/DL252 vertraut machen können, werden Beschreibungen der Vorder- und Rückseite sowie leicht nachvollziehbare Nutzungshinweise bereitgestellt.

EN

ES

FR

PT

DE

DL251/DL252 Getting Started

EN 2. Getting Started

This section shows you how to unpack, install, connect up, switch on and configure the DL251/DL252 unit.

! This equipment is supplied by a mains voltage that can cause electric shock injury.

Before installing, setting up or operating this equipment, make sure that you have read and fully understand all of this section and the “Important safety instructions” at the front of this manual.

Refer to additional safety information on the top cover of the unit.

Unpacking

Carefully unpack your DL251/DL252 equipment package.

Then, inspect the DL251/DL252 unit carefully for any signs of damage that may have occurred during transit and notify the courier immediately if you discover any.

Check the contents of your DL251/DL252 equipment package. If there are any parts missing, incorrect or faulty, please contact your local distributor or Midas at the address at the front of this manual.

Please retain the original packing in case you should need to return the equipment to the manufacturer or supplier, or transport or ship the unit later.

Installation

Before installing and operating this equipment, make sure it is correctly connected to the protective earth conductor of the mains voltage supply socket outlet through each mains lead.

Ideally a cool area is preferred, away from power distribution equipment or other potential sources of interference.

Do not install the equipment in places of poor ventilation.

Do not install this equipment in a location subjected to excessive heat, dust or mechanical vibration. Allow for adequate ventilation around the equipment, making sure that its fans and vents are not obstructed. Whenever possible, keep the equipment out of direct sunlight.

Mount in rack only.

Power

! Both supply cords must be unplugged to ensure complete de-energisation of the unit.

The internal power supplies are of the switch mode type that automatically senses the incoming mains voltage and will work where the nominal voltage is in the range 100VAC to 240VAC.

Two mains inlets are provided on the rear panel. The correct leads for connection in the area to which the unit was shipped are supplied with the unit. The equipment should only be plugged into the mains outlets using the supplied leads.

Each mains inlet must be sourced from its own separate wall-mounted mains outlet socket. Otherwise, their mains sources must be suitably distributed so as to meet local safety regulations.

Make sure the Volex locking type plugs, fitted on each supplied mains cable, are securely fitted to the mains IEC connectors on the unit. When fitted properly the Volex plug locks into place, preventing it from working loose, or being inadvertently knocked loose or pulled out. When fitting or removing a Volex plug, always hold the plug itself and never use the cable, as this may damage it. Never insert or remove an electric plug with wet hands.

When switching the unit on/off, switch the mains power switches on/off one at a time. Do not switch them on/off simultaneously.

Handling the equipment

When lifting or moving the equipment, always take its size and weight into consideration.

Completely isolate the equipment electrically and disconnect all cables from the equipment before moving it.

Do not insert your fingers or hands in any gaps or openings on the equipment, for example, vents.

Electric fields

In accordance with Part 15 of the FCC Rules & Regulations, “... changes or modifications not expressly approved by the party responsible for compliance could void the user's authority to operate the equipment.”

Should this product be used in an electromagnetic field that is amplitude modulated by an audio frequency signal (20Hz to 20kHz), the signal to noise ratio may be degraded. Degradation of up to 60dB at a frequency corresponding to the modulation signal may be experienced under extreme conditions (3V/m, 90% modulation).

Connecting up

Connect up the rear panel of your unit as follows (see Chapter 5. Connections on page 34):

- **Inputs** — connect your XLR mic/line inputs (up to 48 on DL251 and 16 on DL252).
- **Outputs** — connect your XLR line outputs (up to 16 on DL251 and 48 on DL252).
- **AES50 audio** — connect the **AES50 audio** sockets to the console/snake.
- **Ethernet** — connect the **Ethernet control** socket to an external computer for remote control when used in a snake configuration if required.
- **MIDI** — connect the three MIDI 5-pin DIN connectors to the MIDI equipment if required. (For use with Midas consoles only.)
- **Mains power** — connect the dual redundant IEC connectors of the mains cables into the rear of the unit and then plug them into separate mains power outlets (see

“DL251 and digital console (96kHz operation)” on page 34).

Switching on/off

! When switching the unit on/off, press the two mains on/off switches one after the other. Do not press them simultaneously.

After you have connected up your DL251/DL252 it is ready to be switched on.

>> To switch the DL251/DL252 unit on

Switch on the mains on/off switches on the rear of the unit, one after the other. At the front of the unit, check that the LEDs in the psu panel are all illuminated.

>> To switch the DL251/DL252 unit off

Switch off the mains on/off switches on the rear of the unit, one after the other.

>> To fit/remove a Volex locking type mains plug

A Volex locking type plug is fitted on each supplied mains cable, which plugs into a mains IEC connector on the unit. When fitted properly the Volex plug locks into place, preventing it from working loose, or being inadvertently knocked loose or pulled out.

To fit a Volex plug, insert it into the mains IEC connector and push it in until it locks in place. Then, check to make sure it is securely locked in place.

To remove a Volex plug, release its locking device and then pull it out. **Don't hold the cable, as this may damage it.**

Configuration

After you have switched on the DL251/DL252, you can configure the following as required.

- ID number.
- Control mode.
- Clock source.
- Sample rate of clock source.

>> To configure an option

In the desired section, press the round button repeatedly to cycle through the options until the LED of the one you want is illuminated.

ES 2. Puesta en marcha

En esta sección le explicamos cómo desembalar, instalar, conectar, encender y configurar su DL251/DL252.

! El voltaje utilizado por este aparato para su fuente de alimentación es de magnitud suficiente como para producir una descarga eléctrica peligrosa.

Antes de instalar, configurar y utilizar este aparato, asegúrese de que ha leído y comprendido completamente todo lo que aparece en las "Instrucciones importantes de seguridad" de la portada de este manual.

Dispone de información de seguridad adicional en la tapa superior de esta unidad.

Desembalaje

Extraiga con cuidado el DL251/DL252 de su embalaje original.

Después, observe cuidadosamente el DL251/DL252 en busca de cualquier posible signo de daños que puedan haberse producido durante el transporte y, en caso de que se hayan producido, notifíquelo inmediatamente a la empresa de transportes.

Verifique todo el contenido del embalaje de su DL251/DL252. Si observa que falta alguna parte, o es incorrecta o está dañada, póngase en contacto con su distribuidor local o con Midas directamente en la dirección que aparece en la portada de este manual.

Le recomendamos que conserve el embalaje original y todas las protecciones por si alguna vez debe devolver este aparato al fabricante o al distribuidor, o por si tiene que trasladar esta unidad en el futuro.

Instalación

Antes de instalar y empezar a usar este aparato, asegúrese de que esté correctamente conectado a una toma de tierra de seguridad a través del cable de alimentación.

Si es posible, ubíquelo en una zona fresca, lejos de etapas de potencia, dispositivos de distribución de corriente u otras posibles fuentes de interferencias.

No instale este aparato en lugares con una pobre ventilación.

No instale este aparato en lugares sujetos a un excesivo nivel de calor, polvo o vibraciones mecánicas. Consiga que haya siempre una ventilación adecuada alrededor de todo el aparato, asegurándose de que sus ventiladores y ranuras de refrigeración no estén obstruidas. Siempre que sea posible, mantenga este aparato lejos de la exposición directa a la luz solar.

Instálelo solo en un bastidor rack.

Alimentación

! Para asegurar que la unidad no reciba absolutamente nada de corriente eléctrica, ambos cables de alimentación deben estar desconectados.

Las fuentes de alimentación internas son del tipo conmutable y detectan de forma automática el voltaje de alimentación entrante, por lo que funcionarán sin problemas con un voltaje nominal entre 100 y 240 V CA.

EN

ES

FR

PT

DE

22 DL251 Audio System I/O

En el panel trasero dispone de dos tomas de corriente. Cada unidad incluye los cables de alimentación adecuados para el país en el que haya sido vendida. Este aparato solo debe ser conectado a la corriente por medio de los cables de alimentación incluidos.

Conecte cada uno de los cables de alimentación a salidas de corriente independientes. Si no es posible, configure el sistema eléctrico para que cumpla estrictamente las normativas de seguridad locales.

Asegúrese de que los conectores con enganche Volex, que vienen en cada uno de los cables de alimentación incluidos, estén introducidos de forma segura en las tomas IEC de la unidad. Cuando están correctamente introducidos, estos conectores Volex quedan enganchados, evitando de esta forma que puedan soltarse por accidente o por no estar correctamente conectados. A la hora de introducir o extraer un conector Volex, sujete el propio conector y no el cable ya que podría dañarlo. Nunca introduzca o extraiga un conector eléctrico con las manos húmedas.

A la hora de encender o apagar la unidad, encienda las fuentes de alimentación de una en una. No encienda las dos simultáneamente.

Manejo del aparato

A la hora de mover o levantar este aparato, tenga en cuenta siempre sus dimensiones y peso.

Aísle completamente este aparato desde el punto de vista eléctrico y desconecte todos los cables del aparato antes de moverlo.

No introduzca sus dedos o manos en ninguna de las ranuras o agujeros de este aparato, por ejemplo, las ranuras de refrigeración.

Campos eléctricos

De acuerdo a lo indicado en la Sección 15 de las Normas FCC, "...cualquier cambio o modificación que no haya sido aprobada expresamente y por escrito por el fabricante puede anular la autorización del usuario para seguir utilizando este aparato".

En el caso de que utilice este aparato en un campo electromagnético cuya amplitud sea modulada por una señal de frecuencia audio (20 Hz a 20 kHz), la relación señal-ruido puede que se vea degradada. En condiciones extremas (3V/m, 90% de modulación), puede llegar a experimentar una disminución de hasta 60 dB a una frecuencia correspondiente a la señal de modulación.

Conexión

Haga las conexiones en el panel trasero de esta unidad tal como le indicamos (vea Sección 5. "Conexiones" en pág. 34):

- **Entradas** - conecte sus entradas XLR de micro/línea (hasta 48 en el DL251 y 16 en el DL252).
- **Salidas** - conecte sus salidas de línea XLR (hasta 16 en el DL251 y 48 en el DL252).
- **Audio AES50** - conecte las tomas audio AES50 a la mesa de mezclas/manguera.
- **Ethernet** - conecte la toma de control Ethernet a un ordenador externo para el control remoto de la unidad

cuando la use en una configuración con manguera, si es necesario.

- **MIDI** - conecte las tres tomas DIN de 5 puntas MIDI a otros dispositivos MIDI si es necesario. (Solo para su uso con mesas de mezclas Midas).
- **Alimentación** - conecte las dos tomas IEC redundantes de los cables de alimentación a las entradas del panel trasero de esta unidad y a dos salidas de corriente independientes (vea "DLS251 y mesa de mezclas digital (funcionamiento a 96 kHz)" en pág. 34).

Encendido/apagado

- ! **A la hora de encender o apagar la unidad, pulse los dos interruptores de encendido/apagado uno tras otro.**
- **No pulse los dos simultáneamente.**

Una vez que haya conectado su DL251/DL252 ya estará todo listo para que lo encienda.

>> Para encender el DL251/DL252

Pulse los interruptores de encendido/apagado de la parte trasera de la unidad, uno tras otro. En la parte frontal de la unidad, compruebe que los pilotos de la PSU se iluminan.

>> Para apagar el DL251/DL252

Vuelva a pulsar los interruptores de encendido/apagado de la parte trasera de la unidad, uno tras otro.

>> Para introducir/extraer un enchufe de corriente con enganche de tipo Volex

Cada uno de los cables de alimentación incluye un enchufe con enganche de tipo Volex, que debe ser introducido en la toma IEC de la unidad. Cuando están correctamente introducidos, estos conectores Volex quedan enganchados, evitando de esta forma que puedan soltarse por accidente o por no estar correctamente conectados.

Para colocar un enchufe Volex, introdúzcalo en la toma IEC y empuje hasta que observe que ha quedado enganchado en la posición. Después, verifique por seguridad que haya quedado perfectamente enganchado.

Para extraer un enchufe Volex, libere su dispositivo de fijación o enganche y tire de él. **Tire siempre del conector y no del cable, dado que podría dañarlo.**

Configuración

Una vez que haya encendido su DL251/DL252, podrá configurar los siguientes aspectos de la forma que necesite.

- Número ID (identificación)
- Modo de control
- Fuente de señal de reloj
- Frecuencia de muestreo de la fuente de reloj

>> Para configurar una opción

Una vez esté en la sección que quiera, pulse repetidamente el botón redondo para ir pasando por las distintas opciones hasta que se ilumine el piloto en la que quiera.

FR 2. Mise en œuvre

Cette section vous indique comment déballer, installer, connecter, placer sous tension et configurer le DL251/DL252.

! Cet équipement est alimenté par une tension secteur susceptible de causer des électrocutions sévères ou fatales.

Avant d'installer, de configurer ou d'utiliser cet équipement, veuillez lire et comprendre cette section dans son entier, et les "Consignes de sécurité importantes" au début de ce mode d'emploi.

Consultez les informations relatives à la sécurité situées sur le capot supérieur de l'appareil.

Déballage

Déballer le DL251/DL252 avec précaution

Inspectez ensuite le DL251/DL252 en détail et vérifiez l'absence de tout dommage lié au transport. En cas de dommage, prévenez immédiatement le transporteur.

Vérifiez le contenu de l'emballage du DL251/DL252. Si un élément est manquant, incorrect ou défectueux, contactez votre distributeur ou Midas à l'adresse indiquée au début de ce mode d'emploi.

Conservez les éléments d'emballage en cas de retour des équipements chez le fournisseur ou le fabricant ; ou encore pour transporter ou expédier le système.

Installation

Avant d'installer et d'utiliser cet équipement, vérifiez qu'il soit relié à la terre par les deux cordons d'alimentation.

Installez-le dans un endroit frais, éloigné des équipements de distribution secteur, ou de toute autre source potentielle d'interférences.

N'installez pas cet équipement dans un emplacement avec une ventilation insuffisante.

N'installez pas cet équipement dans un emplacement soumis à une chaleur excessive, à la poussière ou à des vibrations mécaniques. Laissez un emplacement suffisant autour de l'appareil pour garantir sa ventilation, en veillant à ce que ses ventilateurs et ouïes de ventilation ne soient pas obstrués. Lorsque c'est possible, placez cet équipement à l'abri des rayons directs du soleil.

Installez en Rack uniquement.

Alimentation

! Les deux cordons secteur doivent être déconnectés pour assurer que l'alimentation interne soit complètement vide.

Les alimentations internes sont à découpage et détectent automatiquement la tension secteur. Elles fonctionnent sur une plage de 100 Vca à 240 Vca.

Vous disposez de deux embases secteur en face arrière. Le cordon secteur correspondant à votre zone géographique est livré avec l'appareil. Cet appareil ne doit être relié au secteur qu'en utilisant les cordons secteurs fournis.

Les deux cordons d'alimentation doivent être reliés à deux prises murales séparées. De plus, ces prises murales doivent être correctement câblées et aux normes locales en vigueur.

Veillez à ce que les fiches à verrouillage Volex (sur les deux cordons secteur fournis), soient verrouillées sur les embases secteur IEC à l'arrière. Dans ce cas, la fiche Volex reste fermement en place, sans risque de déconnexion involontaire. Lorsque vous connectez ou déconnectez une fiche Volex, utilisez la fiche elle-même — ne tirez pas sur le cordon, pour éviter tout risque de dommage. Ne manipulez jamais une fiche secteur avec les mains mouillées ou humides.

Lorsque vous placez l'appareil sous/hors tension, placez les interrupteurs secteur sur arrêt un à la fois ; pas les deux en même temps.

Manutention

Lorsque vous soulevez ou déplacez cet équipement, prenez toujours sa taille et son poids en considération.

Isolez électriquement complètement l'appareil et déconnectez tous les câbles de l'équipement avant de le déplacer.

Ne passez pas les doigts ou les mains dans les ouvertures (ouïes de ventilation, etc., par exemple).

Champs électromagnétiques

Selon l'alinéa 15 des réglementations fédérales FCC, "... les modifications non approuvées par les responsables du respect des normes peuvent annuler l'autorité de l'utilisateur à se servir de cet appareil".

Si ce produit est utilisé dans un champ électromagnétique modulé en amplitude par un signal de fréquence audio (20 Hz à 20 kHz), il se peut que le rapport signal/bruit se dégrade. Une dégradation allant jusqu'à 60 dB à la fréquence correspondant au signal de modulation peut être constatée (3 V/m, modulation de 90 %).

Connexions

Connectez la face arrière comme suit (voir Section 5. "Connexions" en page 34) :

- **Entrées** — connectez les entrées XLR micro/ligne (maximum de 48 sur le DL251, et 16 sur le DL252).
- **Sorties** — connectez les sorties ligne XLR (maximum de 16 sur le DL251, et de 48 sur le DL252).
- **AES50 audio** — reliez les embases audio AES50 à la console/multipaire.
- **Ethernet** — reliez l'embase Ethernet à un ordinateur lorsque vous l'utilisez avec un multipaire.
- **MIDI** — reliez les trois embases DIN MIDI 5-broches à l'équipement MIDI si nécessaire (utilisation uniquement avec les consoles Midas).

EN

ES

FR

PT

DE

- **Secteur** — reliez les deux cordons secteur (fiches IEC) à l'arrière de l'appareil, puis reliez-les à deux prises secteur murales séparées (voir "DL251 et console numérique (fonctionnement à 96 kHz)" en page 34).

Mise sous/hors tension

- ! **Lorsque vous placez l'appareil sous/hors tension, utilisez les deux interrupteurs secteur, l'un après l'autre. Veillez à ne pas les utiliser en même temps.**

Une fois que vous avez réalisé toutes les connexions du DL251/DL252, vous êtes prêt pour la mise sous tension.

>> Pour placer le DL251/DL252 sous tension

Utilisez les interrupteurs secteur en face arrière, l'un après l'autre. Vérifiez que les Leds de la section d'alimentation soient allumées.

>> Pour placer le DL251/DL252 hors tension

Utilisez les interrupteurs secteur en face arrière, l'un après l'autre.

>> Pour utiliser/retirer une fiche à verrouillage Volex

Les cordons secteur fournis sont équipés de fiches à verrouillage Volex, qui s'insèrent dans l'embase secteur IEC de l'appareil. Lorsqu'elle est insérée correctement, la fiche Volex se verrouille, évitant toute déconnexion accidentelle.

Pour insérer une fiche Volex, poussez-la dans l'embase secteur IEC de l'appareil jusqu'à ce qu'elle se verrouille. Vérifiez alors qu'elle soit correctement ancrée à l'embase IEC.

Pour retirer une fiche Volex, relâchez le système de verrouillage et tirez. **Veillez à ne pas tenir le câble pour ne pas l'endommager.**

Configuration

Après avoir placé le DL251/DL252 sous tension, vous pouvez configurer les éléments suivants selon les besoins :

- N° d'identification
- Mode de contrôle
- Source d'horloge
- Fréquence d'échantillonnage de l'horloge source

>> Pour configurer une option

Dans la section correspondante, appuyez sur la touche ronde pour faire défiler les options jusqu'à ce que la Led correspondante s'allume.

PT 2. Primeiros Passos

Esta seção ensina a desembalar, instalar, conectar, ligar e configurar a unidade do DL251/DL252.

- ! **Este equipamento é suprido por uma corrente de voltagem que pode causar lesões consequentes de choque elétrico.**

Antes de instalar, configurar ou operar este equipamento, certifique-se de primeiro ler e compreender completamente toda esta seção e a seção "Instruções de segurança importantes" na parte da frente deste manual.

Verifique informações adicionais de segurança na tampa superior da unidade.

Desembalagem

Desembale o equipamento DL251/DL252 de sua embalagem cuidadosamente.

Após isso, inspecione a unidade DL251/DL252 cuidadosamente para verificar se há sinais de danos que possam ter ocorrido durante o seu trânsito e notifique o serviço de entrega imediatamente se descobrir algum dano.

Verifique o conteúdo do pacote do seu equipamento DL251/DL252. Se houver alguma peça faltando, incorreta ou defeituosa, favor entrar em contato com o seu distribuidor local Midas no endereço que encontra-se na frente deste manual.

Favor, não descartar o pacote original se houver a necessidade de devolver o equipamento ao fabricante ou fornecedor, ou transportar ou remeter a unidade mais tarde.

Instalação

Antes de instalar e operar este equipamento, certifique-se de que ele esteja conectado corretamente com um condutor terra protetor de voltagem na tomada de fornecimento de energia através de cada cabo de alimentação.

Idealmente, uma área fresca que fique longe do equipamento de distribuição de energia ou outras fontes de interferência em potencial, é preferível.

Não instale o equipamento em locais que tenham pouca ventilação.

Não instale este equipamento em locais que estejam sujeitos a calor excessivo, poeira ou vibração mecânica. Providencie um ambiente que tenha ventilação ao redor do equipamento, certificando-se de que ventiladores e respiradouros não estejam obstruídos. Quando for possível, mantenha o equipamento sob luz solar direta.

Montagem somente em rack.

Energia

- ! **Ambos os cabos de alimentação devem ser desligados da tomada para que se tenha certeza de que a desenergização completa da unidade seja feita.**

As fontes de alimentação internas são do tipo comutada que automaticamente percebem a corrente de entrada de tensão e funcionam onde a tensão nominal esteja na faixa de 100VAC a 240VAC.

Duas entradas principais são fornecidas no painel traseiro. Os cabos corretos para a conexão na área à qual a unidade foi enviada são fornecidos com a unidade. O equipamento deve somente ser ligado à tomada com a utilização dos cabos fornecidos.

Cada entrada de corrente deve ter sua própria tomada de parede servindo como fonte. Caso contrário, as fontes de alimentação devem ser distribuídas de maneira apropriada para que atendam às normas de segurança.

Certifique-se de que os plugues Volex locking, encaixados em cada cabo de alimentação, estejam seguramente encaixados nos conectores de alimentação IEC na unidade. Quando encaixados de maneira adequada, os plugues Volex travam-se, evitando que eles se soltem, ou sejam puxados para fora. Quando encaixar ou remover um plugue Volex, sempre segure o plugue em si e nunca use o cabo, pois isso pode danificá-lo. Nunca insira ou remova um plugue elétrico com as mãos molhadas.

Quando ligar ou desligar a unidade, sempre ligue ou desligue os botões de corrente elétrica, um de cada vez. Não ligue ou desligue-os simultaneamente.

Manuseando o equipamento

Quando levantar ou mover o equipamento, sempre leve o seu tamanho e peso em consideração.

Isole completamente o equipamento eletricamente e desconecte todos os cabos do equipamento antes de movê-lo.

Não insira os seus dedos ou mãos em nenhum dos vãos ou aberturas do equipamento, por exemplo, respiradouros.

Campos elétricos

De acordo com a Parte 15 das Normas e Regulamentos do FCC, "... mudanças ou modificações que não tenham sido expressamente aprovadas pela parte responsável para cumprimento, poderão anular a autoridade do usuário de operar o equipamento."

Caso este produto seja usado em um campo magnético que tenha modulação em amplitude feita por um sinal de frequência de áudio (20Hz até 20kHz), a relação sinal-ruído pode ser degradada. Pode-se experimentar degradação de até 60dB a uma frequência correspondente ao sinal de modulação sob condições extremas (3V/m, 90% de modulação).

Conectando

Conecte o painel traseiro da sua unidade da seguinte maneira (verificar Seção 5. "Conexões" na página 34):

- **Entradas** — conecte a entrada do microfone/linha XLR (até 48 em DL251 e 16 em DL252).
- **Saídas** — conecte as saídas de linha do XLR (até 16 em DL251 e 48 em DL252).
- **AES50 áudio** — conecte as tomadas de áudio do AES50 ao console/snake.
- **Ethernet** — conecte a tomada de controle de Ethernet a um computador externo para obter controle remoto quando o equipamento for usado em snake se necessário.

- **MIDI** — conecte os três conectores DIN do MIDI de 5 pinos ao equipamento MIDI se necessário. (Somente para utilização com os consoles Midas consoles.)
- **Corrente elétrica** — conecte os conectores de redundância duais IEC dos cabos de alimentação na parte traseira da unidade e após isso, ligue-os em tomadas de energia elétrica separadas (verificar "DL251 e console digital (operação 96kHz)" na página 34).

Ligando e Desligando

- ! **Quando ligar e desligar a unidade, pressione os dois botões de corrente elétrica on/off, um após o outro. Não aperte-os simultaneamente.**

Depois de haver conectado o seu DL251/DL252 ele estará pronto para ser ligado.

>> Para ligar a unidade DL251/DL252

Ligue os botões de alimentação de energia on/off na parte traseira da unidade, um após o outro. Na parte frontal da unidade, verifique se os LEDs no psu estão todos iluminados.

>> Desligando a unidade DL251/DL252

Desligue os botões de corrente elétrica on/off na parte traseira da unidade, um após o outro.

>> Encaixando/removendo um plugue elétrico do tipo Volex locking

O plugue elétrico Volex locking está encaixado em cada cabo de alimentação fornecido, que se liga ao conector IEC da unidade. Quando encaixado de maneira adequada, o plugue Volex trava, impedindo que fique frouxo ao funcionar, ou que seja solto ou puxado para fora.

Para encaixar um plugue Volex, insira-o em um dos conectores de alimentação IEC e empurre-o para dentro até que ele se trave no lugar. Depois disso, verifique se ele está travado seguramente.

Para remover o plugue Volex, solte o dispositivo de trava e depois puxe-o para fora. **Não segure o cabo, pois isto pode danificá-lo.**

Configuração

Após ter ligado o DL251/DL252, você pode fazer as seguintes configurações, se necessário.

- Número de identidade
- Modo de Controle
- Fonte de relógio
- Taxa de mostragem da fonte de relógio
- Para configurar uma opção

Na seção desejada, aperte o botão arredondado repetidamente para passar pelas opções até que o LED da opção desejada seja iluminado.

DE 2. Erste Schritte

Dieser Abschnitt zeigt Ihnen, wie Sie das DL251/DL252 auspacken, installieren, anschließen, einschalten und konfigurieren.

! Die Netzspannung dieses Geräts kann Stromschläge verursachen.

Stellen Sie sicher, dass Sie den gesamten Abschnitt und die "Wichtigen Sicherheitshinweise" am Anfang dieses Handbuchs gelesen und ganz verstanden haben, bevor Sie das Gerät installieren, einrichten oder betreiben.

Lesen Sie auch die zusätzlichen Sicherheitsinformationen auf der Vorderseite des Geräts.

Auspacken

Packen Sie das DL251/DL252 Paket vorsichtig aus.

Untersuchen Sie das DL251/DL252 sorgfältig auf Anzeichen von Transportschäden und benachrichtigen Sie sofort das Transportunternehmen, falls Sie solche Anzeichen entdecken.

Prüfen Sie den Inhalt des DL251/DL252 Pakets. Falls Teile fehlen, vertauscht wurden oder defekt sind, setzen Sie sich mit unserem örtlichen Vertriebspartner oder mit Midas unter der am Anfang des Handbuchs angegebenen Adresse in Verbindung.

Bitte bewahren Sie die Originalverpackung auf, falls Sie das Gerät zum Hersteller oder Lieferanten zurückschicken oder das Gerät transportieren/versenden müssen.

Installation

Stellen Sie sicher, dass das Gerät korrekt an die Schutzerdung der Netzsteckdose angeschlossen ist, bevor Sie es installieren und betreiben.

Idealerweise sollten Sie das Gerät in einem kühlen Bereich und in einiger Entfernung von Netzverteilern oder anderen potentiellen Störquellen aufstellen.

Installieren Sie das Gerät nicht an Orten mit unzureichender Belüftung.

Installieren Sie das Gerät nicht an übermäßig heißen, staubigen oder mechanisch vibrierenden Orten. Sorgen Sie für eine ausreichende Belüftung in der Umgebung des Geräts und blockieren Sie nicht die Ventilatoren und Lüftungsöffnungen. Stellen Sie das Gerät möglichst nie ins direkte Sonnenlicht.

Nur in ein Rack montieren.

Spannungsversorgung

! Um eine völlige Abschaltung des Geräts sicherzustellen, müssen beide Netzkabel abgezogen werden.

Die internen Netzteile sind Schaltnetzteile, die automatisch die anliegende Netzspannung erkennen und in einem Nominalspannungsbereich von 100VAC bis 240VAC immer funktionieren.

Auf der Rückseite befinden sich zwei Netzanschlüsse. Die im Lieferumfang enthaltenen Netzkabel sind für das Gebiet verwendbar, in das das Gerät verschickt wurde. Das Gerät

sollte nur über die mitgelieferten Netzkabel ans Stromnetz angeschlossen werden.

Jeder Netzanschluss muss mit einer eigenen separaten Wandsteckdose verbunden werden. Andernfalls müssen die Stromquellen so verteilt werden, dass sie den örtlichen Sicherheitsvorschriften entsprechen.

Achten Sie darauf, dass die verriegelbaren Volex-Stecker der mitgelieferten Netzkabel sicher mit den IEC-Netzanschlüssen des Geräts verbunden sind. Bei korrektem Anschluss rastet der Volex-Stecker ein und kann sich nicht mehr selbstständig lösen oder versehentlich gelockert/herausgezogen werden. Beim Anschließen oder Entfernen eines Volex-Steckers halten Sie immer den Stecker selbst und nie das Kabel fest, um Beschädigungen zu vermeiden. Elektrostecker dürfen nie mit nassen Händen angeschlossen oder entfernt werden.

Beim Ein/Ausschalten des Geräts sollten Sie die Netzschalter immer nacheinander aktivieren. Betätigen Sie die Netzschalter nie gleichzeitig.

Behandlung des Geräts

Beim Heben oder Bewegen des Geräts sollten Sie dessen Größe und Gewicht immer berücksichtigen.

Bevor das Gerät bewegt wird, sollte es vollständig elektrisch getrennt und alle Kabel abgezogen werden.

Stecken Sie Ihre Finger oder Hände nicht in Vertiefungen oder Öffnungen des Geräts, z. B. Entlüftungsöffnungen.

Elektrische Felder

In Übereinstimmung mit Part 15 der FCC Vorschriften, "... Änderungen oder Modifikationen, die von der für die Konformität verantwortlichen Partei nicht ausdrücklich genehmigt wurden, können zum Entzug der Betriebserlaubnis führen."

Sollte dieses Produkt in einem elektromagnetischen Feld betrieben werden, das von einem Audiofrequenzsignal (20 Hz bis 20 kHz) amplitudenmoduliert wird, kann sich der Geräuschspannungsabstand verschlechtern. Unter extremen Bedingungen (3V/m, 90% Modulation) kann eine Verschlechterung von bis zu 60 dB bei der Frequenz auftreten, die dem Modulationssignal entspricht.

Anschließen

Schließen Sie die Rückseite Ihres Geräts wie folgt an (siehe Abschnitt 5. "Anschlüsse" auf Seite 34):

- **Inputs** - Schließen Sie die XLR Mic/Line-Eingänge an (bis zu 48 beim DL251 und 16 beim DL252).
- **Outputs** - Schließen Sie die XLR Line-Ausgänge an (bis zu 16 beim DL251 und 48 beim DL252).
- **AES50 audio** - Verbinden Sie die AES50 audio-Anschlüsse mit dem Mischpult/Multicore.
- **Ethernet** - Verbinden Sie den Ethernet control-Anschluss mit einem externen Computer, um diesen bei einer Multicore-Konfiguration nötigenfalls als Fernbedienung zu verwenden.
- **MIDI** - Verbinden Sie die drei 5-Pol MIDI DIN-Anschlüsse nötigenfalls mit einem MIDI-Gerät (nur für Midas-Mischpulte verwendbar).

- **Netzanschluss** - Schließen Sie die beiden redundanten IEC-Anschlüsse der Netzkabel an die Rückseite des Geräts und an zwei separate Netzsteckdosen an (siehe "DL251 und Digitalmischpult (96 kHz-Betrieb)" auf Seite 34).

Ein/Ausschalten

- ! **Um das Gerät ein/auszuschalten, drücken Sie nacheinander die beiden Netzschalter. Drücken Sie die Schalter nicht gleichzeitig.**

Nachdem Sie Ihr DL251/DL252 angeschlossen haben, kann es eingeschaltet werden.

>> DL251/DL252 einschalten

Aktivieren Sie nacheinander die beiden rückseitigen Netzschalter. Prüfen Sie auf der Vorderseite, ob die LEDs in der PSU leuchten.

>> DL251/DL252 ausschalten

Deaktivieren Sie nacheinander die beiden rückseitigen Netzschalter.

>> Volex-Netzstecker anschließen/entfernen

Die mitgelieferten Netzkabel sind mit einem verriegelbaren Volex-Stecker ausgerüstet, der an den IEC-Netzeingang des Geräts angeschlossen wird. Bei korrekter Montage rastet der Volex-Stecker im Anschluss ein und kann sich nicht mehr lösen oder versehentlich gelockert/herausgezogen werden.

Um einen Volex-Stecker anzuschließen, schieben Sie ihn so weit in den IEC-Netzanschluss, bis er einrastet. Prüfen Sie anschließend, ob er sicher im Anschluss sitzt.

Um einen Volex-Stecker zu entfernen, lösen Sie die Verriegelung und ziehen Sie den Stecker heraus. **Ziehen Sie nicht am Kabel, um Beschädigungen zu vermeiden.**

Konfiguration

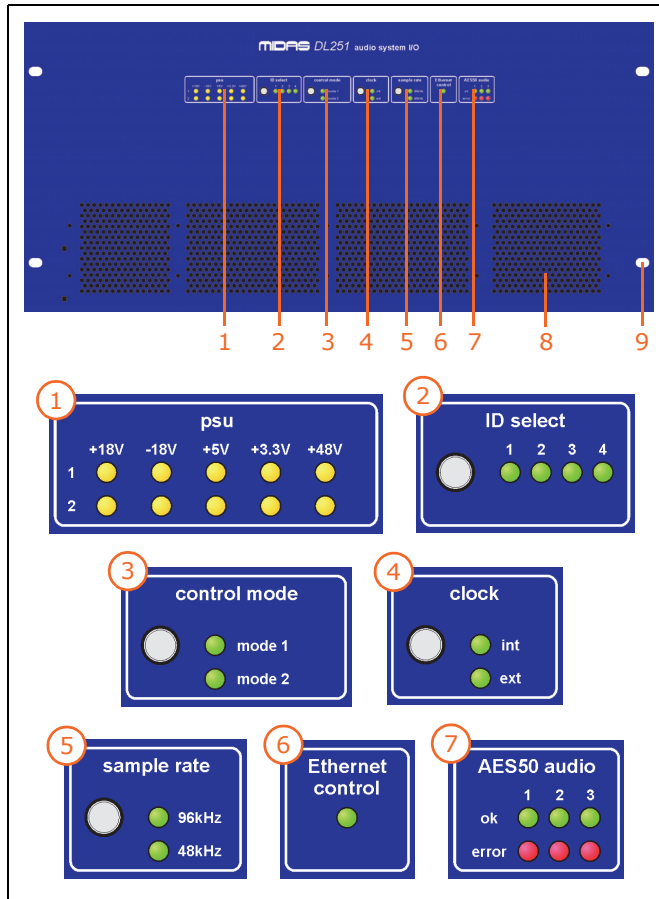
Nach dem Einschalten des DL251/DL252, können Sie folgende Punkte nach Bedarf konfigurieren.

- ID-Nummer
- Control-Modus
- Clock-Quelle
- Samplerate der Clock-Quelle

>> Option konfigurieren

Drücken Sie in der gewünschten Sektion wiederholt die runde Taste, um die Optionen zyklisch durchzugehen, bis die LED der gewünschten Option leuchtet.

DL251/DL252 Front Panel



EN 3. Front Panel

1 The **psu** panel monitors the two voltage supplies. There are five yellow LEDs per voltage supply, and each LED represents a voltage rail. An LED will illuminate when its respective voltage rail is active.

2 The **ID select** panel lets you select the ID number of the unit. This is a unique number that is recognised by the system and distinguishes it from any other similar unit(s) in the network. One of the four green LEDs will be illuminated to indicate the currently selected ID.

3 This **control mode** panel lets you select the control mode of the unit. Use this panel's pushbutton to select **mode 1** if the unit is connected to a console or **mode 2** if the unit is used in a snake configuration. Either of the two green LEDs will illuminate to show which control mode is selected.

4 The **clock** panel lets you select the synchronisation source of the unit. Use this panel's pushbutton to select the internal clock of the unit (**int**) or an external AES50 source (**ext**). The external source is the clock of the connected device (usually a Midas digital console) whose signal is transmitted via the AES50 audio connector. Either of the two green LEDs will illuminate to show which clock source is selected.

5 The **sample rate** panel has a two green LEDs, which indicate the currently selected sample rate (96kHz or 48kHz).

6 The **Ethernet control** panel has a single green LED, which has three states of illumination: flashing = active; on = connected; and off = not connected.

7 The **AES50 audio** panel shows the health status of the communications of the AES50 connections. If the green **ok** LED is illuminated, communication is good. However, if the red **error** LED is illuminated, there is a problem on that connection.

8 There are four air intakes for fan cooling. **Do not obstruct.**

9 There are four cut-outs for rack mounting fixings.

ES 3. Panel frontal

1 El panel **psu** monitoriza las dos fuentes de alimentación. Hay cinco pilotos LED amarillos por fuente de alimentación y cada uno de ellos representa un raíl de voltaje. Cada piloto se iluminará cuando su respectivo raíl de voltaje esté activo.

2 El panel **ID select** le permite elegir un número de ID (identificación) para la unidad. Este es un número único que será reconocido por todo el sistema y que distinguirá a esta de cualquier otra unidad(es) similar que haya en la red. Uno de los cuatro pilotos verde se iluminará para indicarle el ID elegido.

3 Este panel **control mode** le permite elegir el modo de control de la unidad. Use el botón de pulsación de este panel para elegir el modo 1 si la unidad está conectada a una mesa de mezclas o el modo 2 si la unidad es usada en una configuración con manguera. Uno de los dos pilotos verdes se iluminará para indicarle el modo de control que ha seleccionado.

4 El panel **clock** le permite elegir la fuente de sincronización de la unidad. Utilice el botón de este panel para elegir el reloj interno de la unidad (**int**) o una fuente AES50 externa (**ext**). La fuente externa es la señal de reloj del dispositivo conectado (por lo general un Midas digital de la consola) cuya señal es pasada a través del conector de audio AES50. Uno de los dos pilotos verdes se iluminará para indicarle la fuente de reloj elegida.

5 El panel **sample rate** tiene dos pilotos verdes que le indican la frecuencia de muestreo activa en ese momento (96 ó 48 kHz).

6 El panel **Ethernet control** solo tiene un piloto verde con tres posibles indicaciones: parpadeando = activo; encendido = conectado y apagado = no conectado.

7 El panel **AES50 audio** le muestra el estado de salud de las comunicaciones de las conexiones AES50. Si se ilumina el piloto verde **ok**, la comunicación será correcta. Por contra, si se ilumina el piloto rojo **error** es que existirá un problema en esa conexión.

8 La unidad dispone de cuatro tomas de aire que usan los ventiladores de refrigeración. **No las obstruya.**

9 La unidad tiene cuatro muescas para su fijación en un bastidor rack.

FR 3. Face avant

- 1 La zone **psu** (alimentation) contrôle les deux alimentations. Il y a cinq Leds jaune par tension d'alimentation, et chaque Led représente une tension positive ou négative. Chaque Led indique une tension positive ou négative active.
- 2 La zone **ID select** vous permet de sélectionner le n° d'identifiant de l'appareil. C'est un numéro unique reconnu par le système et qui le distingue des autres systèmes de même type dans le réseau. L'une des quatre Leds vertes s'allume pour indiquer le n° d'identifiant sélectionné.
- 3 La zone **control mode** vous permet de sélectionner le mode de contrôle de l'appareil. Utilisez le bouton poussoir pour sélectionner le **mode 1** si l'appareil est connecté à une console, ou au **mode 2** si l'appareil est utilisé en multipaire. La Led verte correspondante au mode sélectionné s'allume.
- 4 La zone **clock** vous permet de sélectionner la source d'horloge de l'appareil. Utilisez le bouton poussoir de la zone pour sélectionner l'horloge interne (**int**) ou une source d'horloge AES50 externe (**ext**). La source externe est l'horloge de l'appareil connecté (généralement une console numérique Midas) dont le signal est transmis via le connecteur audio AES50. L'une des deux Leds vertes s'allume pour indiquer la source d'horloge sélectionnée.
- 5 La zone **sample rate** possède deux Leds vertes, qui indiquent la fréquence d'échantillonnage sélectionnée (96 kHz ou 48 kHz).
- 6 La zone **Ethernet control** possède une seule Led : clignotante = actif ; allumée = connecté ; éteinte = non connecté.
- 7 La zone **AES50 audio** vous indique la qualité des communications des connexions AES50. Si la Led verte OK s'allume, la communication est bonne. Ceci dit, si la Led d'erreur rouge s'allume, il y a un problème avec cette connexion.
- 8 Il y a quatre zones d'entrée d'air pour les ventilateurs de refroidissement. **Ne pas boucher.**
- 9 Il y a quatre découpes pour les fixations de montage en Rack.

PT 3. Painel Frontal

- 1 Os monitores do painel psu, as duas fontes de voltagem. Há cinco LEDs amarelos por fonte de voltagem, e cada LED representa um trilho de voltagem. Um LED será iluminado quando sua voltagem respectiva estiver ativa.
- 2 O painel de seleção de identidade, permite a seleção do número de identidade da unidade. Este é um número único que é reconhecido pelo sistema e o distingue de qualquer outra unidade similar na rede. Um dos quatro LEDs verdes será iluminado para indicar a identidade que foi selecionada.
- 3 Este painel de controle de modo possibilita a seleção do modo de controle da unidade. Use este botão de apertar do painel para selecionar o modo 1 se a unidade estiver conectada a um console ou modo 2 se a unidade estiver sendo usada em configuração snake. Um dos dois LEDs verdes será iluminado para mostrar qual modo de controle foi selecionado.
- 4 O painel do relógio possibilita a seleção da fonte de sincronização da unidade. Use este botão de apertar do painel para selecionar o relógio interno da unidade (**int**) ou uma fonte

externa AES50 (**ext**). A fonte externa é o relógio do dispositivo conectado (geralmente um Midas digitais console) cujo sinal é passado através do conector de áudio AES50. Um dos dois LEDs verdes será iluminado para mostrar qual fonte de relógio foi selecionada.

- 5 O painel de taxa de amostragem tem dois LEDs verdes que indicam a taxa de amostragem selecionada (96kHz ou 48kHz).
- 6 O painel de controle Ethernet tem um único LED verde que tem três estados de iluminação: piscando = ativo; on = conectado; e off = não conectado.
- 7 O painel de áudio AES50 mostra o status da condição das comunicações das AES50. Se o LED verde ok estiver iluminado, a comunicação está boa. No entanto, se o LED vermelho de erro estiver iluminado, há um problema com a conexão.
- 8 Há quatro entradas de ar para ventilação de resfriamento. **Favor, não obstruir.**
- 9 Há quatro cortes para a moxagem e fixação do rack.

DE 3. Vorderseite

- 1 Das psu-Feld überwacht die beiden Netzteile. Pro Netzteil sind fünf gelbe LEDs verfügbar und jede LED steht für eine Spannungsschiene. Eine LED leuchtet, wenn die zugehörige Spannungsschiene aktiv ist.
- 2 Mit dem ID select-Feld kann man die ID-Nummer des Geräts wählen. Diese einmalige Nummer wird vom System erkannt und unterscheidet das Gerät von allen anderen ähnlichen Geräten im Netzwerk. Eine der vier grünen LEDs leuchtet, um die aktuell gewählte ID anzuzeigen.
- 3 Mit diesem control mode-Feld können Sie den Steuermodus des Geräts wählen. Wählen Sie mit der Drucktaste dieses Feldes entweder **mode 1**, wenn das Gerät mit einem Mischpult verbunden ist, oder **mode 2**, wenn das Gerät in einer Multicore-Konfiguration betrieben wird. Eine der beiden grünen LEDs leuchtet, um den gewählten Steuermodus anzuzeigen.
- 4 Mit dem clock-Feld wählen Sie die Synchronisationsquelle des Geräts. Wählen Sie mit der Drucktaste dieses Feldes die interne Clock des Geräts (**int**) oder eine externe AES50-Quelle (**ext**). Die externe Quelle ist die Clock des angeschlossenen Geräts (in der Regel Midas Digital-Konsole), dessen Signal über die AES50-Audio-Anschluss weitergeleitet. Eine der beiden grünen LEDs leuchtet, um die gewählte Clock-Quelle anzuzeigen.
- 5 Das sample rate-Feld enthält zwei grüne LEDs, die die aktuell gewählte Samplerate anzeigen (96kHz oder 48kHz).
- 6 Das Ethernet control-Feld enthält nur eine grüne LED mit drei Leuchtzuständen: blinkend = aktiv; leuchtend = angeschlossen; erloschen = nicht angeschlossen.
- 7 Das AES50 audio-Feld zeigt den Kommunikationsstatus der AES50-Anschlüsse an. Wenn die grüne **ok** LED leuchtet, ist die Kommunikation gut. Wenn die rote **error** LED leuchtet, besteht bei diesem Anschluss ein Problem.
- 8 Es gibt vier Belüftungsöffnungen für die Ventilator Kühlung. **Nicht blockieren.**
- 9 Es gibt vier Aussparungen für die Rackmontage.

EN

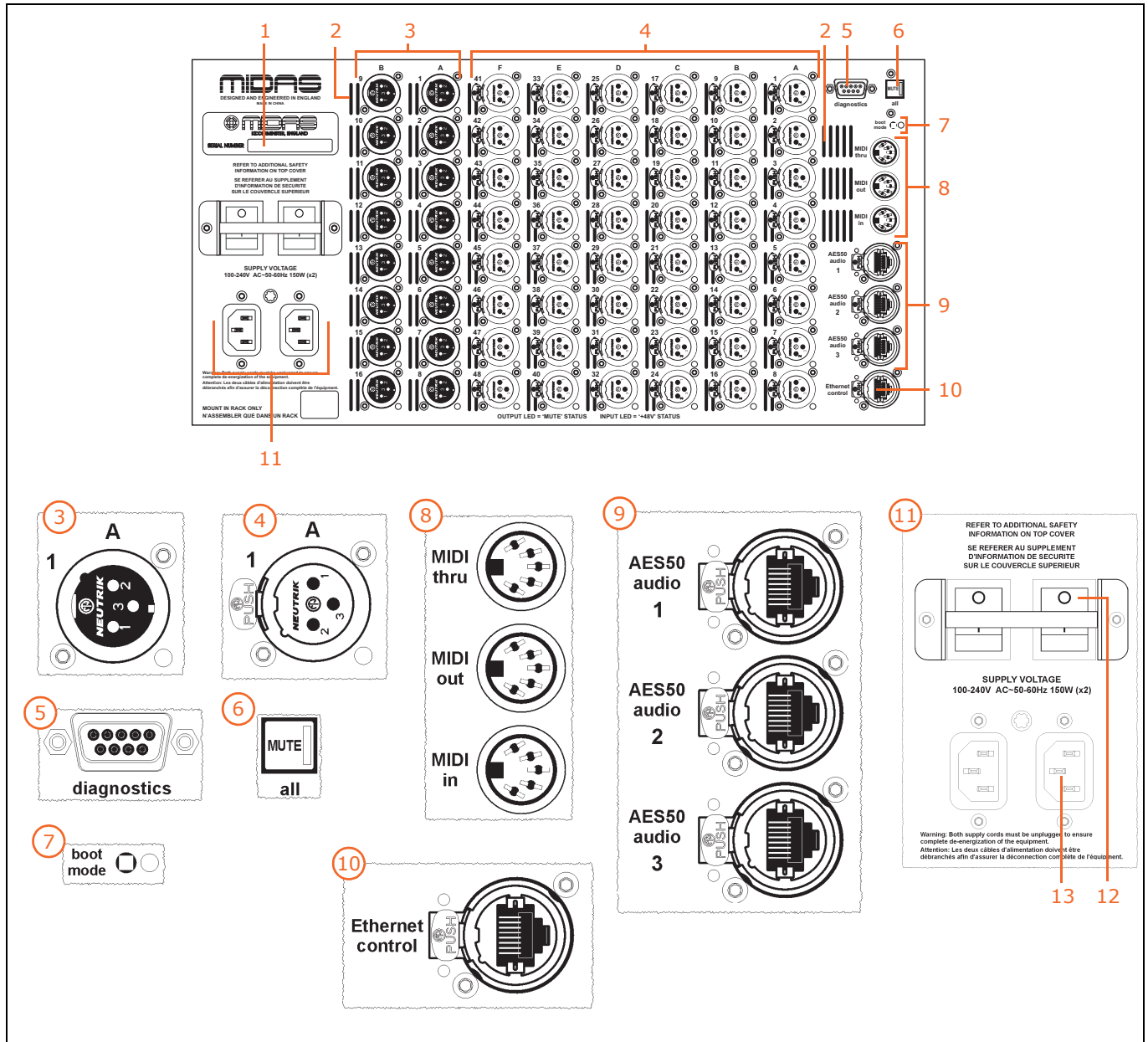
ES

FR

PT

DE

DL251/DL252 Rear Panel



EN 4. Rear Panel

- 1** Unit serial number label.
- 2** Ventilation grills, which provide an air outtake for fan cooling of the inside of the unit.
- 3** Male XLR chassis connectors, which provide outputs for line equipment. Each socket has a red LED that illuminates when mute is on for that output.
- 4** Female XLR chassis connectors, which provide inputs for mic/line equipment. Each socket has a red LED that illuminates when +48V phantom power is on for that input.
- 5** The **diagnostics** connector is a 9-way D-type connector for connecting a laptop/PC by service personnel for diagnostics purposes. **This is not an operator function and is only to be used by service personnel.**
- 6** The **MUTE** button mutes all the outputs simultaneously when held down for longer than one second. It has an integral LED that illuminates when mute is active.
- 7** The **boot mode** switch selects between normal operation and a service personnel-only configuration boot mode. It has an adjacent red LED, which illuminates to show when the unit is in service only configuration mode.
- 8** There are three MIDI (musical instrument digital interface) sockets — **MIDI in**, **MIDI out** and **MIDI thru** — for connection of a MIDI device, such as a synthesiser. The **MIDI in** socket receives MIDI data, and the **MIDI thru** socket gives out the same MIDI data that is received by the **MIDI in** socket. The **MIDI out** socket gives out MIDI data generated by the attached Midas Digital Console.

9 Three **AES50 audio** EtherCon® sockets provide connection to the console/snake and pass audio and control data in both directions. Each socket has a pair of red and green LEDs, which indicate the following:

- Green pulsating and red extinguished = valid audio and valid control data; active link.
- Green constantly illuminated and red extinguished = valid audio and valid control data; standby link.
- Green extinguished and red illuminated = no audio; link has failed.

10 The **Ethernet control** EtherCon® socket provides connection to an external computer for remote control when used in a snake configuration. This socket has a pair of red and green LEDs that indicates the following:

- Green LED illuminated = cable connected at both ends.
- Green LED extinguished = cable not connected at both ends.

Mains power

- ! **Each mains inlet should be sourced from its own separate wall-mounted mains outlet socket. Otherwise, both mains sources must be suitably distributed so as to meet local safety regulations.**

The mains is supplied to the DL251/DL252 via dual redundant mains inlets.

- 11** Dual redundant power supplies.
- 12** Mains on/off isolator switch.
- 13** Mains IEC socket.

Important:

The unit has Volex locking type plugs fitted on their supplied mains cables, which plug into the mains IEC connectors. When fitted properly the Volex plug locks into place, preventing it working loose, or being inadvertently knocked loose or pulled out.

ES 4. Panel trasero

- 1 Etiqueta con el número de serie de la unidad.
- 2 Rejillas de ventilación que suponen una salida de aire para los ventiladores de refrigeración que hay dentro de la unidad.
- 3 Conectores XLR macho, que son salidas para dispositivos de línea. Cada conector dispone de un piloto rojo que se ilumina cuando está activada la anulación (mute) para esa salida.
- 4 Conectores XLR hembra, que son entradas para dispositivos con nivel de micro/línea. Cada uno de estos conectores tiene un piloto rojo que se ilumina cuando está activa la alimentación fantasma de +48V para esa entrada.
- 5 El conector de diagnósticos es un conector de tipo D de 9 puntas para la conexión a un PC o portátil por parte de personal de servicio técnico para la realización de pruebas diagnósticas. **Este conector no ha sido diseñado para su manejo por el usuario sino solo por personal del servicio técnico.**

6 El botón **MUTE** anula simultáneamente todas las salidas cuando lo mantenga pulsado durante más de un segundo. Dispone de un piloto integrado que se ilumina cuando está activada esta función de anulación.

7 El interruptor **boot mode** le permite elegir entre el funcionamiento normal y un modo de arranque de configuración que solo debe ser usado por personal del servicio técnico oficial. Este interruptor dispone de un piloto rojo a su lado que se ilumina para indicarle en qué momento la unidad está en el modo de configuración de servicio técnico.

8 Dispone de tres tomas MIDI (interface digital de instrumentos musicales) - entrada, salida y thru MIDI - para la conexión a un dispositivo MIDI, como puede ser un sintetizador. La toma MIDI in recibe datos MIDI, la toma thru da salida a los mismos datos MIDI recibidos por la entrada MIDI (sin modificación). El conector MIDI out da salida a los datos MIDI generados por la mesa de mezclas digital Midas conectada.

9 Tres tomas audio AES50 EtherCon® le permiten la conexión a la mesa de mezclas/manguera para el paso de datos audio y de control en ambos sentidos. Cada una de las tomas tiene un par de pilotos rojo y verde que indican lo siguiente:

- Verde parpadeando y rojo apagado = datos audio y control válidos; enlace activo.
- Verde iluminado fijo y rojo apagado = datos audio y control válidos; enlace en espera.
- Verde apagado y rojo iluminado = no hay señal audio; el enlace ha fallado.

10 La toma de control Ethernet EtherCon® le permite la conexión a un ordenador exterior para el control remoto de la unidad cuando la use en una configuración con manguera. Esta toma tiene un par de pilotos rojo y verde que indican lo siguiente:

- Piloto verde iluminado = cable conectado en ambos extremos.
- Piloto verde apagado = el cable no está conectado en ambos extremos.

Alimentación

- ! **Conecte cada uno de los cables de alimentación a salidas de corriente independientes. Si no es posible, configure el sistema eléctrico para que cumpla estrictamente las normativas de seguridad locales.**

El DL251//DL252 recibe la corriente eléctrica a través de una doble toma de entrada de corriente redundante.

- 11** Doble fuente de alimentación redundante.
- 12** Interruptor aislante de encendido/apagado general.
- 13** Toma IEC de entrada de corriente.

Importante:

Cada uno de los cables de alimentación de esta unidad incluye un enchufe con enganche de tipo Volex, que debe ser introducido en la toma IEC de la unidad. Cuando están correctamente introducidos, estos conectores Volex quedan enganchados, evitando de esta forma que puedan soltarse por accidente o por no estar correctamente conectados.

FR 4. Face arrière

- 1 Sérigraphie du numéro de série de l'appareil.
- 2 Grilles de ventilation, avec sortie d'air des ventilateurs internes.
- 3 Embases XLR mâles, pour la sortie à niveau ligne des signaux. Chaque sortie dispose d'une Led rouge qui s'allume lorsque la sortie est coupée (Mute).
- 4 Embases XLR femelles, pour l'entrée des signaux micro/ligne. Chaque entrée dispose d'une Led rouge qui s'allume lorsque l'alimentation fantôme 48 V est activée sur l'entrée.
- 5 Le connecteur **diagnostics** de type D à 9 broches permet la connexion d'un portable/PC par les personnels d'entretien pour le diagnostic de l'appareil. Cette fonction n'est pas prévue pour l'utilisateur. **Elle est prévue uniquement pour un technicien de maintenance.**
- 6 La touche **MUTE** coupe toutes les sorties lorsque vous la maintenez enfoncée plus d'une seconde. La Led intégrée s'allume lorsque la coupure est active.
- 7 La touche **boot mode** sélectionne un mode de démarrage en fonctionnement ou en mode de maintenance et de configuration accessible pour les personnels d'entretien. La Led rouge adjacente, s'allume lorsque l'appareil est en mode de maintenance.
- 8 Il y a trois embases MIDI (Musical Instrument Digital Interface)— **MIDI in**, **MIDI out** et **MIDI thru** — pour la connexion d'un équipement MIDI, comme un synthétiseur. L'entrée MIDI in reçoit les données MIDI, et la sortie **MIDI thru** retransmet exactement les mêmes données MIDI que celles reçues sur l'entrée **MIDI in**. La sortie **MIDI out** transmet (en général) les données MIDI générées par une console numérique Midas.
- 9 Les trois embases **AES50 audio** EtherCon® permettent la connexion à la console/multipaire et transmettent et reçoivent les données de contrôle et les signaux audio dans les deux sens. Chaque embase possède une Led rouge et une Led verte, dont la signification est la suivante :
 - Verte clignotante et rouge éteinte = signal audio valide et données contrôle valides ; lien actif.
 - Verte allumée et rouge éteinte = signal audio valide et données contrôle valides ; lien en Standby.
 - Verte éteinte et rouge allumée = pas de signal audio ; dysfonction du lien.
- 10 L'embase **Ethernet control** EtherCon® permet la connexion à un ordinateur externe pour le contrôle externe lorsque vous l'utilisez en boîtier multipaire. Cette embase possède une paire de Leds rouge et verte, dont la signification est la suivante :
 - Led verte allumée = câble connecté aux deux extrémités
 - Led verte éteinte = câble non connecté aux deux extrémités

Alimentation secteur

! Chaque embase secteur doit être alimentée par une prise murale séparée. Les sources secteur doivent être distribuées correctement selon les normes locales.

Le secteur est fourni au système DL251/DL252 par les deux alimentations secteur redondantes.

- 11 Deux alimentations secteur redondantes.
- 12 Interrupteur secteur de découplage du secteur.
- 13 Embase secteur IEC.

Important :

Les cordons secteur fournis avec l'appareil sont équipés de fiches à verrouillage Volex, qui s'insèrent dans l'embase secteur IEC de l'appareil. Lorsqu'elle est insérée correctement, la fiche Volex se verrouille, évitant toute déconnexion accidentelle.

PT 4. Painei traseiro

- 1 Selo de número de série da unidade.
- 2 Grelhas de ventilação que fornecem retirada de ar para o resfriamento do interior da unidade através do ventilador.
- 3 Conectores chassi machos XLR que fornecem saídas para o equipamento da linha. Cada soquete tem um LED vermelho que fica iluminado quando a saída está em modo mute.
- 4 Conectores chassi fêmeas XLR que fornecem entradas para o equipamento da linha. Cada soquete tem um LED vermelho que fica iluminado quando o phantom power +48V para aquela entrada está ligado.
- 5 O conector de diagnósticos é um conector do tipo D de 9 vias para conexão com um laptop PC através de serviço de pessoal dedicado a diagnósticos. **Esta não é uma função de usuários e somente é usada por pessoal de serviços.**
- 6 O botão **MUTE** ativa o modo mudo em todas as saídas simultaneamente quando é pressionado por mais de um segundo. Ele tem um LED integral que fica iluminado quando o modo mudo está ativo.
- 7 O botão do modo boot seleciona entre uma operação normal e uma configuração de modo boot exclusivamente dedicada a serviços de pessoal.
- 8 Há três soquetes MIDI (interface digital de instrumento musical) — **MIDI in** (entrada MIDI), **MIDI out** (saída MIDI) e **MIDI thru** — para conexão de um dispositivo MIDI, tal como um sintetizador. O soquete **MIDI in** recebe dados MIDI, e o soquete **MIDI thru** fornece os mesmos dados MIDI que são recebidos pelo soquete **MIDI in**. O soquete **MIDI out** fornece dados MIDI gerados pelo Console Digital Midas.
- 9 Os três soquetes AES50 áudio EtherCon® fornecem conexão para o console/snake e passam dados de áudio e controle em ambas direções. Cada soquete tem um par de LEDs vermelhos e verdes, que indicam o seguinte:
 - Verde pulsante e vermelho extinto = áudio válido e controle data válido; link ativo.

- Verde konstante illuminado e vermelho extinto = áudio válido e controle data válido; link em standby.
- Verde extinto e vermelho iluminado = áudio ausente; link falho.

10 O soquete de controle Ethernet EtherCon® fornece conexão a um computador externo para controle remoto quando usado em uma configuração snake. Este soquete tem um par de LEDs vermelhos e verdes que indicam o seguinte:

- LED verde iluminado = cabo conectado em ambas extremidades.
- LED verde extinto = cabo não conectado em ambas extremidades.

Corrente Elétrica

! Cada entrada de corrente deve ter sua própria tomada de parede servindo como fonte. Caso contrário, as fontes de alimentação devem ser distribuídas de maneira apropriada para que atendam às normas de segurança.

A alimentação é fornecida ao DL251/DL252 através de entradas de alimentação duais redundantes.

- 11** Fontes de alimentação duais redundantes.
- 12** Computador isolador on/off (ligado/desligado) de alimentação.
- 13** Soquete IEC de alimentação.

Importante:

A unidade tem plugues do tipo Volex locking (travadora) nos cabos de alimentação supridos que são conectados aos conectores de alimentação IEC.

DE 4. Rückseite

- 1 Typenschild mit der Seriennummer des Geräts.
- 2 Belüftungsgitter als Abzugsöffnung für die Ventilator Kühlung im Geräteinnern.
- 3 XLR-Stecker als Ausgänge für Line-Geräte. Die für jeden Anschluss vorhandene rote LED leuchtet, wenn die Mute-Funktion für diesen Ausgang aktiviert ist.
- 4 XLR-Buchsen als Eingänge für Mic/Line-Geräte. Die für jeden Anschluss vorhandene rote LED leuchtet, wenn +48V Phantomspannung für diesen Eingang aktiviert ist.
- 5 An den 9-Weg Sub-D diagnostics-Anschluss kann das Wartungspersonal einen Laptop/PC für Diagnose-Zwecke anschließen. **Diese Funktion ist nicht für Anwender gedacht und sollte nur vom Wartungspersonal verwendet werden.**
- 6 Halten Sie die MUTE-Taste länger als eine Sekunde gedrückt, um alle Ausgänge gleichzeitig stummzuschalten. Bei aktivierter Mute-Funktion leuchtet die in die Taste integrierte LED.
- 7 Der boot mode-Schalter wählt zwischen dem normalen Betriebsmodus und einem nur Wartungspersonal vorbehaltenen Konfigurations-Bootmodus. Die benachbarte rote LED leuchtet, wenn das Gerät in den Konfigurationsmodus für Wartungszwecke geschaltet ist.

8 An die drei MIDI (musical instrument digital interface) Buchsen - MIDI In, MIDI Out und MIDI Thru - kann man ein MIDI-Gerät, z. B. Synthesizer, anschließen. Die MIDI In-Buchse empfängt MIDI-Daten und die MIDI Thru-Buchse gibt die über MIDI In empfangenen MIDI-Daten unverändert wieder aus. Die MIDI Out-Buchse gibt MIDI-Daten aus, die vom angeschlossenen Midas-Digitalmischpult erzeugt wurden.

9 Drei **AES50 audio** EtherCon®-Anschlüsse stellen die Verbindung zum Mischpult/Multicore her und leiten Audio- und Steuerdaten in beide Richtungen weiter. Die für jedem Anschluss vorhandenen roten und grünen LEDs zeigen Folgendes an:

- Grün pulsiert und Rot erloschen = gültige Audio- und gültige Kontrolle-Daten; aktive Verbindung.
- Grün leuchtet konstant und Rot erloschen = gültige Audio- und gültige Kontrolle-Daten; Standby-Verbindung.
- Grün erloschen und Rot leuchtet = kein Audio; keine Verbindung.

10 Der **Ethernet control** EtherCon®-Anschluss stellt die Verbindung zu einem externen Computer her, damit man ihn in einer Multicore-Konfiguration als Fernbedienung nutzen kann. Das für jeden Anschluss vorhandene Paar roter und grüner LEDs zeigt Folgendes an:

- Grüne LED leuchtet = Kabel an beiden Enden angeschlossen.
- Grüne LED erloschen = Kabel nicht an beiden Enden angeschlossen.

Netzspannung

! Jeder Netzanschluss muss mit einer eigenen separaten Wandsteckdose verbunden werden. **Andernfalls müssen die Stromquellen so verteilt werden, dass sie den örtlichen Sicherheitsvorschriften entsprechen.**

Die Netzspannung wird dem DL251/DL252 über zwei redundante Netzanschlüsse zugeführt.

- 11** Zwei redundante Netzteile.
- 12** Netz Ein/Aus-Trennschalter.
- 13** IEC-Netzanschluss.

Wichtig:

Die mitgelieferten Netzkabel sind mit verriegelbaren Volex-Netzsteckern ausgestattet, die in die IEC-Netzanschlüsse gesteckt werden. Bei korrektem Anschluss rastet der Volex-Stecker ein und kann sich nicht mehr selbständig lösen oder versehentlich gelockert oder herausgezogen werden.

EN

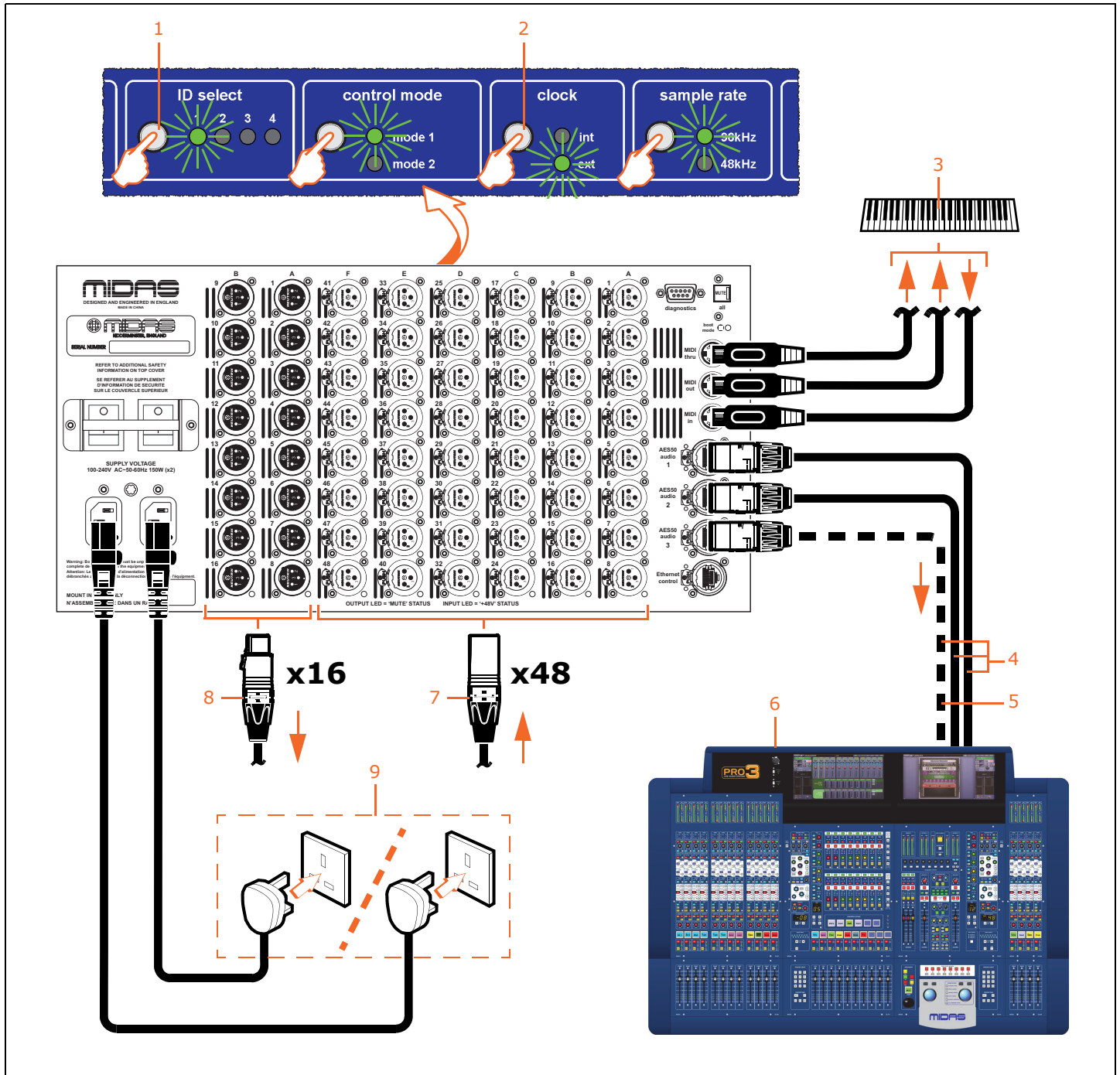
ES

FR

PT

DE

DL251 Connections



EN 5. DL251 Connections

DL251 and digital console (96kHz operation)

Typical DL251 to digital console connection configuration. The AES50 audio connections provide 96kHz operation and include a redundant spare.

! Each mains inlet must be sourced from its own separate wall-mounted mains outlet socket. Otherwise, their mains sources must be suitably distributed so as to meet local safety regulations.

1 Unique unit ID to match the one configured on the control centre's configuration page.

- 2** Set to **ext** if DL251 is synchronising with an AES50 connection to a clock master. Set to **int** if this DL251 is to be clock master.
- 3** MIDI device (for example, a keyboard).
- 4** AES50 audio.
- 5** Redundant spare.
- 6** Typical Midas digital console (for example, a PRO3).
- 7** Mic/line inputs.
- 8** Line outputs.
- 9** Separate mains outlets.

ES 5. DL251 Conexiones

DL251 y mesa de mezclas digital (funcionamiento a 96 kHz)

Configuración típica de conexión del DL251 a una mesa de mezclas digital. Las conexiones audio AES50 le permiten el funcionamiento a 96 kHz e incluyen una conexión redundante de seguridad.

! Conecte cada uno de los cables de alimentación a salidas de corriente independientes. Si no es posible, configure el sistema eléctrico para que cumpla estrictamente las normativas de seguridad locales.

- 1 ID única unidad para que coincida con la configurada en la página de configuración del centro de control.
- 2 Set de **ext** si DL251 es la sincronización con una conexión a AES50 a un reloj maestro. Se establece en **int** si esto DL251 es que el reloj maestro.
- 3 Dispositivo MIDI (por ejemplo, un teclado).
- 4 Audio AES50.
- 5 Conexión redundante de seguridad.
- 6 Mesa de mezclas digital Midas típica (por ejemplo, una PRO3).
- 7 Entradas de micro/línea.
- 8 Salidas de línea.
- 9 Salidas de corriente independientes.

FR 5. DL251 Connexions

DL251 et console numérique (utilisation en 96 kHz)

Connexion typique entre un DL251 et une console numérique. La connexion AES50 audio permet de travailler à 96 kHz et comprend une connexion redondante de secours.

! Chaque embase secteur doit être alimentée par une prise murale séparée. Les sources secteur doivent être distribuées correctement selon les normes locales.

- 1 ID d'unité unique pour correspondre à celui configuré sur la page de configuration du centre de contrôle.
- 2 Sélectionnez **ext** si DL251 est la synchronisation avec une AES50 connexion à un horloge maître. Sélectionnez **int** si cette DL251 est d'être maître de l'horloge.
- 3 Périphérique MIDI (clavier, par exemple).
- 4 audio AES50.
- 5 Redondant de secours.
- 6 Console Midas numérique typique (par exemple, une PRO3).
- 7 Entrées micro/ligne.
- 8 Sorties ligne.
- 9 Prises secteur indépendantes.

PT 5. DL251 Conexões

DL251 e console digital (operação 96kHz)

DL251 típico para configuração de conexão de console digital. As conexões de áudio AES50 fornecem operação de 96kHz e incluem uma peça redundante sobressalente.

! Cada entrada de corrente deve ter sua própria tomada de parede servindo como fonte. Caso contrário, as fontes de alimentação devem ser distribuídas de maneira apropriada para que atendam às normas de segurança.

- 1 ID da unidade exclusiva para coincidir com a página de configuração do centro de controle.
- 2 Selecione **ext** se DL251 está sincronizado com uma conexão AES50 a um mestre do relógio. Selecione **int** se DL251 é ser mestre do relógio.
- 3 Dispositivos MIDI (por exemplo, um teclado).
- 4 Áudio AES50.
- 5 Peça sobressalente redundante.
- 6 Console digital Midas típico (por exemplo, um PRO3).
- 7 Entrada Microfone/linha.
- 8 Saídas de linha.
- 9 Saídas de corrente separadas.

DE 5. DL251 Anschlüsse

DL251 und Digitalmischpult (96 kHz-Betrieb)

Typische Anschlusskonfiguration eines DL251 zum Digitalmischpult. Die AES50 audio-Anschlüsse ermöglichen den 96kHz-Betrieb und arbeiten mit einer redundanten Reserveleitung.

! Jeder Netzanschluss muss mit einer eigenen separaten Wandsteckdose verbunden werden. Andernfalls müssen die Stromquellen so verteilt werden, dass sie den örtlichen Sicherheitsvorschriften entsprechen.

- 1 Einzigartige Geräte-ID, um die Konfiguration der Konsole (Konfigurationsseite) entsprechen.
- 2 Wählen Sie "ext", wenn der DL251 mit einer AES50 Verbindung zu einem Clock-Master synchronisiert wird. Wählen Sie "int", wenn das DL251 ist es, Clock-Master sein.
- 3 MIDI-Gerät (z. B. Keyboard)
- 4 AES50 audio.
- 5 Redundante Reserveleitung.
- 6 Typisches Midas-Digitalmischpult (z. B. PRO3).
- 7 Mic/Line-Eingänge.
- 8 Line-Ausgänge.
- 9 Separate Netzsteckdosen.

EN

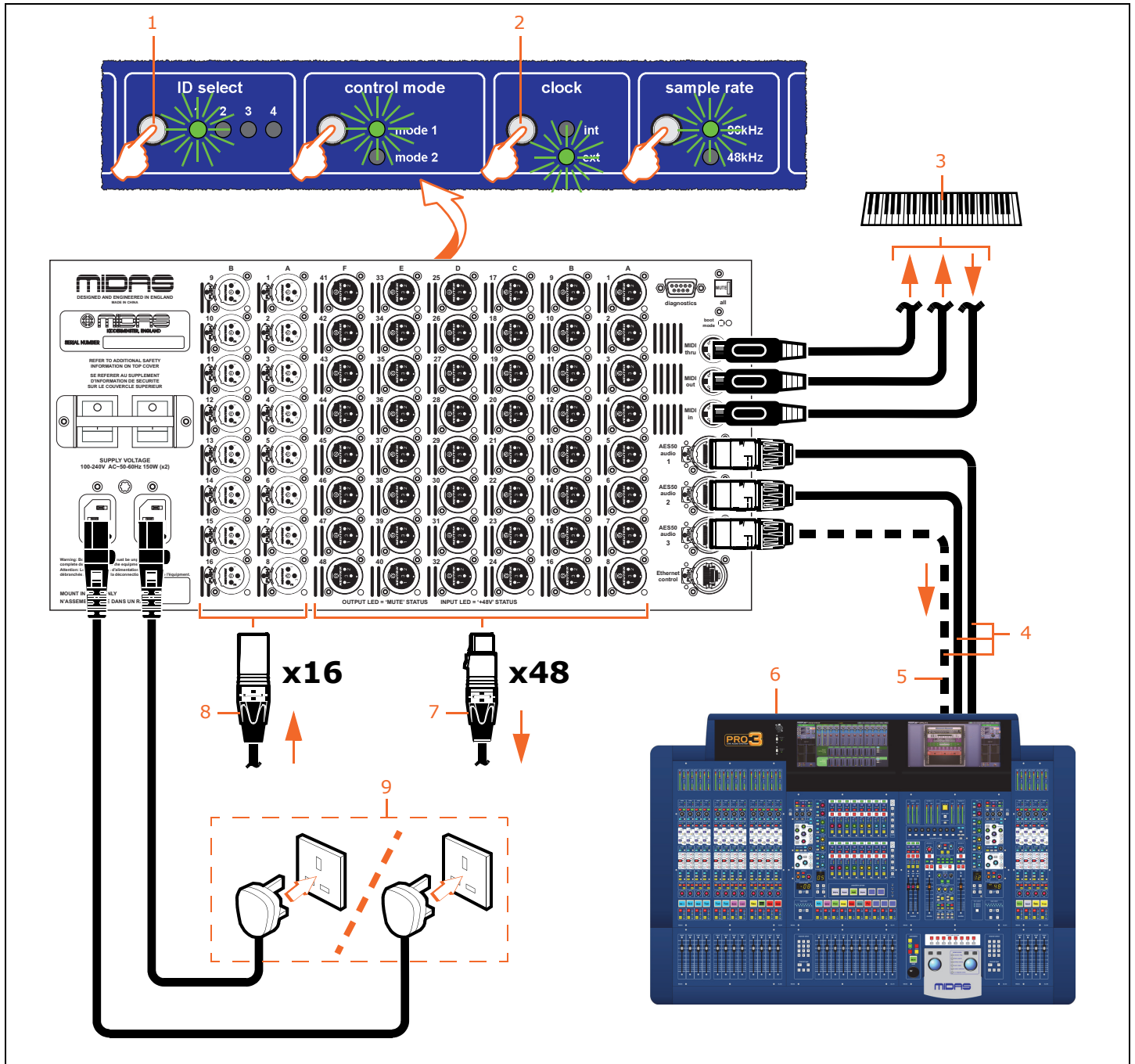
ES

FR

PT

DE

DL252 Connections



EN 5. DL252 Connections

DL252 and digital console (96kHz operation)

Typical DL252 to digital console connection configuration. The AES50 audio connections provide 96kHz operation and include a redundant spare.

! Each mains inlet must be sourced from its own separate wall-mounted mains outlet socket. Otherwise, their mains sources must be suitably distributed so as to meet local safety regulations.

1 Unique unit ID to match the one configured on the control centre's configuration page.

- 2** Set to **ext** if DL252 is synchronising with an AES50 connection to a clock master. Set to **int** if this DL252 is to be clock master.
- 3** MIDI device (for example, a keyboard).
- 4** AES50 audio.
- 5** Redundant spare.
- 6** Typical Midas digital console (for example, a PRO3).
- 7** Line outputs.
- 8** Mic/line inputs.
- 9** Separate mains outlets.

ES 5. DL252 Conexiones

DL252 y mesa de mezclas digital (funcionamiento a 96 kHz)

Configuración típica de conexión del DL252 a una mesa de mezclas digital. Las conexiones audio AES50 le permiten el funcionamiento a 96 kHz e incluyen una conexión redundante de seguridad.

! Conecte cada uno de los cables de alimentación a salidas de corriente independientes. Si no es posible, configure el sistema eléctrico para que cumpla estrictamente las normativas de seguridad locales.

- 1 ID única unidad para que coincida con la configurada en la página de configuración del centro de control.
- 2 Set de **ext** si DL252 es la sincronización con una conexión a AES50 a un reloj maestro. Se establece en **int** si esto DL252 es que el reloj maestro.
- 3 Dispositivo MIDI (por ejemplo, un teclado).
- 4 Audio AES50.
- 5 Conexión redundante de seguridad.
- 6 Mesa de mezclas digital Midas típica (por ejemplo, una PRO3).
- 7 Salidas de línea.
- 8 Entradas de micro/línea.
- 9 Salidas de corriente independientes.

FR 5. DL252 Connexions

DL252 et console numérique (utilisation en 96 kHz)

Connexion typique entre un DL252 et une console numérique. La connexion AES50 audio permet de travailler à 96 kHz et comprend une connexion redondante de secours.

! Chaque embase secteur doit être alimentée par une prise murale séparée. Les sources secteur doivent être distribuées correctement selon les normes locales.

- 1 ID d'unité unique pour correspondre à celui configuré sur la page de configuration du centre de contrôle.
- 2 Sélectionnez **ext** si DL252 est la synchronisation avec une AES50 connexion à un horloge maître. Sélectionnez **int** si cette DL252 est d'être maître de l'horloge.
- 3 Périphérique MIDI (clavier, par exemple).
- 4 audio AES50.
- 5 Redondant de secours.
- 6 Console Midas numérique typique (par exemple, une PRO3).
- 7 Sorties ligne.
- 8 Entrées micro/ligne.
- 9 Prises secteur indépendantes.

PT 5. DL252 Conexões

DL252 e console digital (operação 96kHz)

DL252 típico para configuração de conexão de console digital. As conexões de áudio AES50 fornecem operação de 96kHz e incluem uma peça redundante sobressalente.

! Cada entrada de corrente deve ter sua própria tomada de parede servindo como fonte. Caso contrário, as fontes de alimentação devem ser distribuídas de maneira apropriada para que atendam às normas de segurança.

- 1 ID da unidade exclusiva para coincidir com a página de configuração do centro de controle.
- 2 Selecione **ext** se DL252 está sincronizado com uma conexão AES50 a um mestre do relógio. Selecione **int** se DL252 é ser mestre do relógio.
- 3 Dispositivos MIDI (por exemplo, um teclado)
- 4 Áudio AES50.
- 5 Peça sobressalente redundante.
- 6 Console digital Midas típico (por exemplo, um PRO3).
- 7 Saídas de linha.
- 8 Entrada Microfone/linha.
- 9 Saídas de corrente separadas.

DE 5. DL252 Anschlüsse

DL252 und Digitalmischpult (96 kHz-Betrieb)

Typische Anschlusskonfiguration eines DL252 zum Digitalmischpult. Die AES50 audio-Anschlüsse ermöglichen den 96kHz-Betrieb und arbeiten mit einer redundanten Reserveleitung.

! Jeder Netzanschluss muss mit einer eigenen separaten Wandsteckdose verbunden werden. Andernfalls müssen die Stromquellen so verteilt werden, dass sie den örtlichen Sicherheitsvorschriften entsprechen.

- 1 Einzigartige Geräte-ID, um die Konfiguration der Konsole (Konfigurationsseite) entsprechen.
- 2 Wählen Sie "ext", wenn der DL252 mit einer AES50 Verbindung zu einem Clock-Master synchronisiert wird. Wählen Sie "int", wenn das DL252 ist es, Clock-Master sein.
- 3 MIDI-Gerät (z. B. Keyboard).
- 4 AES50 audio.
- 5 Redundante Reserveleitung.
- 6 Typisches Midas-Digitalmischpult (z. B. PRO3).
- 7 Line-Ausgänge.
- 8 Mic/Line-Eingänge.
- 9 Separate Netzsteckdosen.

EN

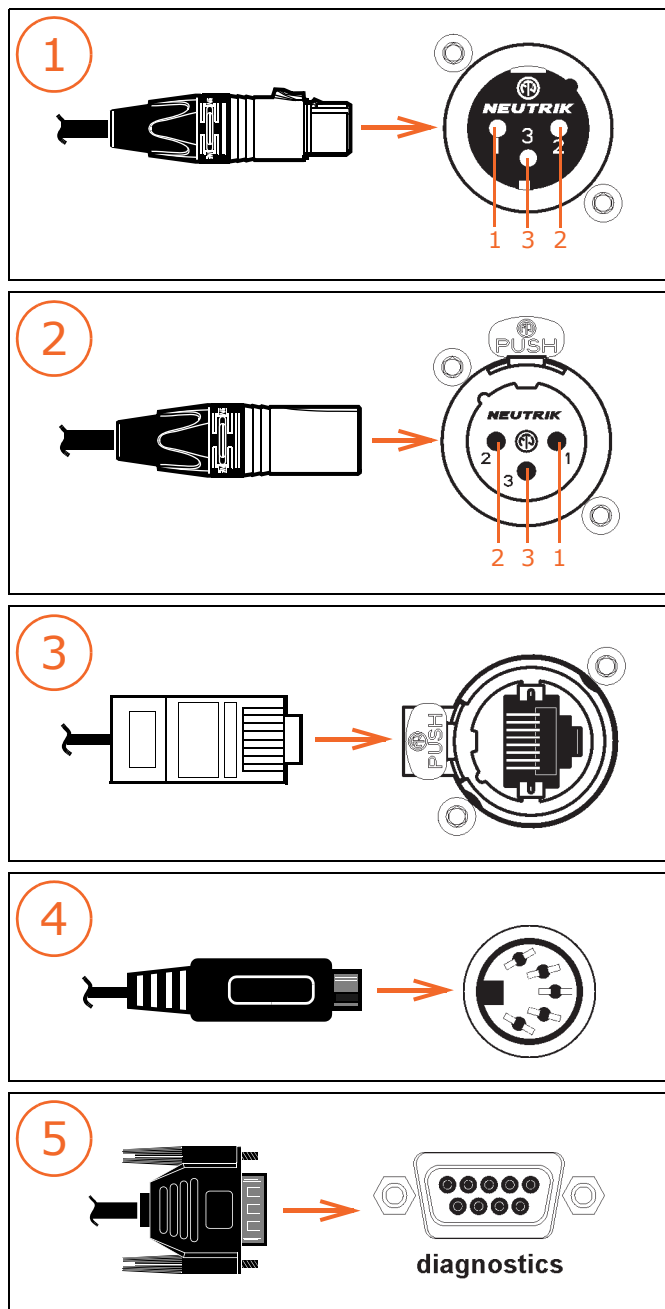
ES

FR

PT

DE

DL252 Connectors



EN 5. Connectors

To ensure the correct and reliable operation of the equipment, only high quality balanced, screened, twisted pair audio cable should be used.

XLR connector shells should be of metal construction so that they provide a screen when connected to the console/snake and, where appropriate, they should have Pin 1 connected to the cable screen.

- 1** Line output audio connector. Female XLR plug and male XLR chassis connector with the following pinouts: 1 = ground; 2 = hot; and 3 = cold.
- 2** Mic/line input audio connector. Male XLR plug and female XLR chassis connector with the following pinouts: 1 = ground; 2 = hot; and 3 = cold.

- 3** Ethernet socket. RJ45 plug and EtherCon® socket.
- 4** MIDI connector (in, out or thru). 5-pin plug and socket.
- 5** Diagnostics. 9-way, D-type plug and socket.

ES 5. Conectores

Para asegurarse un funcionamiento correcto y fiable del equipo, utilice solo cables audio de par trenzado, balanceados, con blindaje y de alta calidad.

La caperuza del conector XLR debería ser metálica para actuar como blindaje cuando lo conecte a la mesa de mezclas/manguera y, cuando sea posible, debería tener la punta 1 conectada al cable de masa.

- 1** Conector audio de salida de línea. Toma XLR macho y conector XLR hembra con la siguiente distribución de puntas: 1 = masa; 2 = activo y 3 = pasivo.
- 2** Conector audio de entrada de micro/línea. Toma XLR hembra y conector XLR macho con la siguiente distribución de puntas: 1 = masa; 2 = activo y 3 = pasivo.
- 3** Clavija Ethernet. Conector RJ45 y clavija EtherCon®.
- 4** Conector MIDI (entrada, salida o thru). Conector y clavija de 5 puntas.
- 5** Diagnósticos. Conector y clavija de tipo D de 9 puntas.

FR 5. Connecteurs

Pour garantir un fonctionnement fiable des équipements, utilisez uniquement des câbles audio symétriques haute qualité, blindés avec paires torsadées.

Le corps des fiches XLR doit être en métal pour servir de blindage lorsqu'elles sont connectées à la console ou au multipaire et, quand c'est le cas, la broche 1 doit être reliée au blindage du câble.

- 1** Connecteur de sortie audio ligne. Fiche XLR femelle et embase châssis XLR mâle avec le brochage suivant : 1 = masse ; 2 = point chaud ; et 3 = Point froid.
- 2** Connecteur d'entrée audio micro/ligne. Fiche XLR mâle et embase châssis XLR femelle avec le brochage suivant : 1 = masse ; 2 = point chaud ; et 3 = Point froid.
- 3** Embase Ethernet. Fiche RJ45 et embase EtherCon®.
- 4** Connecteur MIDI (in, out ou thru). Fiche et embase à 5 broches.
- 5** Diagnostics. Fiche et embase de type D à 9 broches.

PT 5. Conectores

Para obter uma operação de equipamento correta e confiável, somente pares de cabo de áudio de alta qualidade, balanceados, blindados e trançados devem ser usados.

O revestimento de conectores XLR deve ser feito de metal para que ofereça blindagem quando forem conectados ao console/snake e, quando apropriado, eles devem ter um Pino 1 conectado ao revestimento do cabo.

- 1** Conector de áudio de saída de linha. Plugue fêmea XLR e chassis conector XLR macho com as seguintes pinagens: 1 = terra; 2 = quente; e 3 = frio.
- 2** Conector de áudio de entrada Mic/line. Plugue macho XLR e chassis conector fêmea XLR com as seguintes pinagens: 1 = terra; 2 = quente; e 3 = frio.
- 3** Soquete Ethernet. Plugue RJ45 e tomada EtherCon®.
- 4** Conector MIDI (entrada, saída ou thru). Plugue e tomada de 5 pinos.
- 5** Diagnóstico. Soquete e plugue tipo D, 9 vias.

DE 5. Anschlüsse

Um einen korrekten und zuverlässigen Betrieb der Geräte sicherzustellen, sollten Sie nur hochwertige symmetrische abgeschirmte verdrehte Audiokabel verwenden.

Die Gehäuse der XLR-Anschlüsse sollten aus Metall bestehen, damit sie beim Anschluss an das Mischpult/Multicore als Abschirmung fungieren. Falls erforderlich, sollte zudem Pol 1 mit der Kabelabschirmung verbunden werden.

- 1** Line-Audioausgang. XLR-Buchse am Kabel und XLR-Stecker am Chassis mit folgender Polbelegung: 1 = Erde; 2 = heiß und 3 = kalt.
- 2** Mic/Line-Audioeingang. XLR-Stecker am Kabel und XLR-Buchse am Chassis mit folgender Polbelegung: 1 = Erde; 2 = heiß und 3 = kalt.
- 3** Ethernet-Anschluss. RJ45-Stecker und EtherCon®-Buchse.
- 4** MIDI-Anschluss (**in**, **out** oder **thru**). 5-Pol Stecker und Buchse.
- 5** Diagnostik. 9-Weg, Sub-D Stecker und Buchse.

DL251/DL252 Using The Unit

EN 6. Using The DL251/DL252

Although the DL251/DL252 has only limited user functionality, this section shows how to mute all outputs simultaneously and how to use the boot mode.

! To avoid electrical shock, never operate the equipment with the covers removed. Do not operate the equipment or any of its parts if safety guards are ineffective or their effectiveness has been reduced.

Muting all outputs simultaneously

The mute feature mutes all outputs simultaneously and also disconnects all the mic amps from the AES50 interface. This will have the effect of muting any other outputs that are sourced from these inputs.

The **MUTE** button will activate after being pressed for one second and will de-activate after it has been released for half a second. The button's integral red LED will illuminate to show when mute is active.

Using the boot mode

This service personnel only function is used to select between normal operation and configuration mode.

ES 6. Uso del DL251/DL252

Aunque el DL251/DL252 tiene una funcionalidad limitada de cara al usuario, en esta sección le enseñamos cómo anular todas las salidas simultáneamente y cómo usar el modo boot.

! Para evitar una descarga eléctrica, nunca trate de utilizar este aparato una vez que le haya quitado su carcasa. Nunca utilice este aparato ni ninguna de sus partes si las protecciones de seguridad ya no son efectivas o si su efectividad está muy reducida.

Anulación simultánea de todas las salidas

La función de anulación o mute anula simultáneamente todas las salidas y desconecta también todos los amplificadores de micro del interface AES50. Esto tendrá el efecto de silenciar o anular cualquier salida que reciba señal de esas entradas.

El botón **MUTE** se activará una vez que lo haya estado pulsando durante más de un segundo y se desactivará cuando lo deje sin pulsar más de medio segundo. El piloto rojo integral de este botón se iluminará para indicarle que la función mute está activa.

Uso del modo boot o de arranque

Esta función diseñada solo para el personal del servicio técnico oficial se usa para cambiar el modo operativo de la unidad entre el normal y el modo de configuración.

FR 6. Utilisation du DL251/DL252

Bien que les systèmes DL251/DL252 n'offrent que peu de fonctions limitées accessibles à l'utilisateur, cette section vous montre comment couper toutes les sorties et utiliser le mode de Boot.

! Pour éviter tout risque d'électrocution, n'utilisez jamais l'appareil ouvert. N'utilisez pas l'appareil si l'un de ses éléments de sécurité est inopérant ou si son efficacité est réduite.

Coupure de toutes les sorties

La fonction Mute coupe toutes les sorties en même temps et déconnecte tous les préamplis micro de l'interface AES50. Ceci a pour effet de couper les autres sorties dont la source vient de ces entrées.

La touche **MUTE** entre en action après une pression d'une seconde et se désactive après l'avoir relâchée d'une demi seconde. La Led rouge intégrée à la touche s'allume lors de la coupure.

Utilisation du mode Boot

Cette fonction réservée aux personnels de maintenance permet de sélectionner le mode de fonctionnement normal ou le mode de configuration.

PT Utilizando o DL251/DL252

Embora o DL251/DL252 tenha somente funcionalidade de usuário limitada, esta seção mostra como colocar todas as saídas em modo mute simultaneamente e como usar o modo boot.

! Para evitar choque elétrico, nunca opere o equipamento com a cobertura removida. Não opere o equipamento nem suas peças se as guardas de segurança estiverem sem efeito ou se a sua eficácia tiver sido reduzida.

Colocando todas as saídas em modo mute simultaneamente

O recurso de modo mute coloca todas as saídas em modo mute simultaneamente e também detecta todos os amps de microfones da interface AES50. Isto colocará todas outras saídas que estejam usando essas entradas como fonte em modo mute.

O botão **MUTE** será ativado depois de ser pressionado por um segundo e será desativado após ter sido solto por meio segundo. O LED vermelho integral do botão se iluminará para mostrar que o modo mute foi ativado.

Utilizando o modo boot

Esta função exclusiva para pessoal de serviço é usada para selecionar entre a operação normal e o modo de configuração.

DE DL251/DL252 einsetzen

Das DL251/DL252 verfügt zwar nur über beschränkte Nutzerfunktionalitäten, aber in diesem Abschnitt erfahren Sie, wie man alle Ausgänge gleichzeitig stummschaltet und den Boot-Modus verwendet.

- ! **Um Stromschläge zu vermeiden, sollten Sie das Gerät niemals betreiben, wenn seine Deckel entfernt sind.**
- **Betreiben Sie das Gerät oder Teile davon nicht, wenn die Sicherheitsfunktionen unwirksam sind oder deren Wirksamkeit eingeschränkt ist.**

Alle Ausgänge gleichzeitig stummschalten

Die Mute-Funktion schaltet alle Ausgänge gleichzeitig stumm und trennt auch alle Mikrofonverstärker vom AES50 Interface. Dadurch werden alle anderen Ausgänge stummgeschaltet, die von diesen Eingängen gespeist werden.

Die **MUTE**-Taste wird aktiviert, wenn man sie länger als eine Sekunde gedrückt hält. Sie wird eine halbe Sekunde, nachdem man sie losgelassen hat, deaktiviert. Die interne rote LED der Taste leuchtet bei aktivierter Mute-Funktion.

Boot-Modus verwenden

Die Funktion ist nur dem Wartungspersonal vorbehalten. Mit ihr kann man zwischen dem Normalbetrieb und dem Konfigurationsmodus wählen.

EN

ES

FR

PT

DE

DL251/DL252 Technical Specifications

EN 7. Technical Specifications

This section contains the technical specifications for the DL251 and DL252 units.

Due to a policy of continual improvement, Midas reserves the right to alter the function or specification at any time without notice.

DL251/DL252 general statistics

XLR connections

DL251

1 x 5U rack I/O box houses:	48 x (XLR) mic/line inputs
	16 x (XLR) line outputs

DL252

1 x 5U rack I/O box houses:	16 x (XLR) mic/line inputs
	48 x (XLR) line outputs

Resilience

N + 1 cable redundancy and dual redundant PSUs

DL251/DL252 general specifications

Sampling frequency	48kHz/96kHz snake; 96kHz with Midas console
Latency delay	<1ms direct connection input to output
Dynamic range	107dB, 22Hz to 22kHz (no pre-emphasis)
Maximum voltage gain	45dB
Crosstalk @ 1kHz	-100dB physically adjacent input channels
Crosstalk @ 10kHz	-90dB physically adjacent input channels
Dimensions	DL251: 5U x 410 mm deep DL252: 5U x 410 mm deep
Net weight	DL251: 10 kg DL252: 10 kg
Shipping weight	DL251: 18 kg DL252: 18 kg
Power requirements	100V to 240V AC \pm 10%, 50 to 60Hz
Power consumption at 115V	1 PSU: 85W, 85VA 2 PSU: 110W, 110VA
Power consumption at 230V	1 PSU: 90W, 100VA 2 PSU: 110W, 135VA
Operating temperature range	+5°C to +40°C
Storage temperature range	-20°C to +60°C

DL251/DL252 audio performance specifications

Input	Output	Gain	20Hz	20kHz
DL251 I/O Box	DL252 I/O Box	0dB	0dB to -1.0dB	0dB to -1.0dB
DL251 I/O Box	DL252 I/O Box	40dB	0dB to -1.0dB	0dB to -1.0dB
DL252 I/O Box	DL251 I/O Box	0dB	0dB to -1.0dB	0dB to -1.0dB
DL252 I/O Box	DL251 I/O Box	40dB	0dB to -1.0dB	0dB to -1.0dB

Gain error at 1kHz

Input	Output	Gain	Max.	Min.
DL251 I/O Box	DL252 I/O Box	0dB	+1.0dB	-1.0dB
DL251 I/O Box	DL252 I/O Box	40dB	+1.0dB	-1.0dB
DL252 I/O Box	DL251 I/O Box	0dB	+1.0dB	-1.0dB
DL252 I/O Box	DL251 I/O Box	40dB	+1.0dB	-1.0dB

Input CMRR

Input	Output	Gain	100Hz	1kHz
DL251 I/O Box	DL252 I/O Box	0dB	60dB	60dB
DL251 I/O Box	DL252 I/O Box	40dB	90dB	90dB
DL252 I/O Box	DL251 I/O Box	0dB	60dB	60dB
DL252 I/O Box	DL251 I/O Box	40dB	90dB	90dB

Distortion at 0dBu

Input	Output	Gain	1kHz	10kHz
DL251 I/O Box	DL252 I/O Box	0dB	0.01%	0.01%
DL251 I/O Box	DL252 I/O Box	40dB	0.03%	0.03%
DL252 I/O Box	DL251 I/O Box	0dB	0.01%	0.01%
DL252 I/O Box	DL251 I/O Box	40dB	0.03%	0.03%

Distortion at +20dBu

Input	Output	Gain	1kHz	10kHz
DL251 I/O Box	DL252 I/O Box	0dB	0.03%	0.03%
DL251 I/O Box	DL252 I/O Box	40dB	0.03%	0.03%
DL252 I/O Box	DL251 I/O Box	0dB	0.03%	0.03%
DL252 I/O Box	DL251 I/O Box	40dB	0.03%	0.03%

Signal path noise 22Hz to 22kHz unweighted (inputs 150R terminated)

<i>Input</i>	<i>Output</i>	<i>Gain</i>	<i>Output noise</i>	<i>EIN</i>
DL251 I/O Box	DL252 I/O Box	0dB	-86dBu	-86dBu
DL251 I/O Box	DL252 I/O Box	40dB	-86dBu	-125dBu
DL252 I/O Box	DL251 I/O Box	0dB	-86dBu	-86dBu
DL252 I/O Box	DL251 I/O Box	40dB	-86dBu	-125dBu

Dynamic range 22Hz to 22kHz unweighted

<i>Input</i>	<i>Output</i>	<i>Gain</i>	<i>Output noise</i>	<i>EIN</i>
DL251 I/O Box	DL252 I/O Box	0dB	+21dBu	107dB
DL251 I/O Box	DL252 I/O Box	40dB	+21dBu	106dB
DL252 I/O Box	DL251 I/O Box	0dB	+21dBu	107dB
DL252 I/O Box	DL251 I/O Box	40dB	+21dBu	106dB

DL251/DL252 system inputs and outputs

I/O box inputs	
Connector	3-pin XLR balanced
A/D converter	24-bit, 96kHz and 128 times oversampling
Box analogue outputs	
Connector	3-pin XLR balanced
D/A converter	24-bit, 96kHz and 128 times oversampling
MIDI	
MIDI connector	In, out and through on 5-pin DIN (for use with Midas consoles only)
48kHz I/O digital system inputs and outputs	
System connector (1)	1 x AES50 (48 channels of bi-directional digital audio) on EtherCon® XLR
Redundant connector (2)	1 x AES50 (48 channels of bi-directional digital audio) on EtherCon® XLR providing redundant back-up
Additional connector (3)	Not used
96kHz I/O digital system inputs and outputs	
System connector (1 and 2)	2 x AES50 (24 channels of bi-directional digital audio) on EtherCon® XLR
N+1 connector (3)	1 x AES50 (24 channels of bi-directional digital audio) on EtherCon® XLR providing redundant back-up

DL251/DL252 input and output characteristics**Analogue input characteristics**

<i>Input</i>	<i>Load Z</i>	<i>Gain</i>	<i>Max. level</i>	<i>Connector</i>
DL251 I/O Box	10k	-2.5dB to +45dB	+24dBu	XLR
DL252 I/O Box	10k	-2.5dB to +45dB	+24dBu	XLR

Analogue output characteristics

<i>Output</i>	<i>Source Z</i>	<i>Gain</i>	<i>Max. level</i>	<i>Connector</i>
DL251 I/O Box	50R	0dB	+21dBu	XLR
DL252 I/O Box	50R	0dB	+21dBu	XLR

48kHz digital I/O characteristics

Type	AES50
Channels	48
Data length	24-bit
I/O	Bi-directional
Description notes	Conforms to AES50-2006
Connector	EtherCon® XLR

96kHz digital I/O characteristics

Type	AES50
Channels	24
Data length	24-bit
I/O	Bi-directional
Description notes	Conforms to AES50-2006
Connector	EtherCon® XLR

ES 7. Especificaciones técnicas

Esta sección contiene las especificaciones técnicas de las unidades DL251 y DL252.

Debido a nuestra política de continuas mejoras, Midas se reserva el derecho a modificar las funciones o especificaciones de esta unidad en cualquier momento y sin previo aviso.

Valores generales del DL251/DL252

Conectores XLR

DL251

1 x unidad de E/S de 5U rack que 48 x entradas de micro/línea (XLR) contiene:

16 x salidas de línea (XLR)

DL252

1 x unidad de E/S de 5U rack que 16 x entradas de micro/línea (XLR) contiene:

48 x salidas de línea (XLR)

Tolerancia a los fallos

Cable redundante N + 1 y doble PSU redundante

Especificaciones generales del DL251/DL252

Frecuencia de muestreo	48 kHz/96 kHz manguera; 96 kHz con mesa de mezclas Midas
Retardo de latencia	<1 ms con conexión directa entrada a salida
Rango dinámico	107 dB, 22 Hz a 22 kHz (sin pre- énfasis)
Máximo voltaje de salida	45 dB
Crosstalk o cruce de señal @ 1 kHz	-100 dB entre canales de entrada adyacentes físicamente
Crosstalk o cruce de señal @ 10 kHz	-90 dB entre canales de entrada adyacentes físicamente
Dimensiones	DL251: 5U x 410 mm de profundidad DL252: 5U x 410 mm de profundidad
Peso neto	DL251: 10 kg DL252: 10 kg
Peso con embalaje	DL251: 18 kg DL252: 18 kg
Alimentación	100 a 240 V AC ±10%, 50 a 60 Hz
Consumo a 115 V	1 PSU: 85 W, 85 VA 2 PSU: 110 W, 110 VA
Consumo a 230 V	1 PSU: 90 W, 100 VA 2 PSU: 110 W, 135 VA
Rango de temperaturas operativas	+5° a +40° C
Rango de temperaturas de almacenamiento	-20° a +60° C

DL251/DL252 Especificaciones de rendimiento audio

Entrada	Salida	Ganancia	20 Hz	20k Hz
DL251 Unidad de E/S	DL252 Unidad de E/S	0 dB	0 dB a -1.0 dB	0 dB a -1.0 dB
DL251 Unidad de E/S	DL252 Unidad de E/S	40 dB	0 dB a -1.0 dB	0 dB a -1.0 dB
DL252 Unidad de E/S	DL251 Unidad de E/S	0 dB	0 dB a -1.0 dB	0 dB a -1.0 dB
DL252 Unidad de E/S	DL251 Unidad de E/S	40 dB	0 dB a -1.0 dB	0 dB a -1.0 dB

Error de ganancia a 1 kHz

Entrada	Salida	Ganancia	Máximo	Mínimo
DL251 Unidad de E/S	DL252 Unidad de E/S	0 dB	+1.0 dB	-1.0 dB
DL251 Unidad de E/S	DL252 Unidad de E/S	40 dB	+1.0 dB	-1.0 dB
DL252 Unidad de E/S	DL251 Unidad de E/S	0 dB	+1.0 dB	-1.0 dB
DL252 Unidad de E/S	DL251 Unidad de E/S	40 dB	+1.0 dB	-1.0 dB

CMRR de entrada

Entrada	Salida	Ganancia	100 Hz	1 kHz
DL251 Unidad de E/S	DL252 Unidad de E/S	0 dB	60 dB	60 dB
DL251 Unidad de E/S	DL252 Unidad de E/S	40 dB	90 dB	90 dB
DL252 Unidad de E/S	DL251 Unidad de E/S	0 dB	60 dB	60 dB
DL252 Unidad de E/S	DL251 Unidad de E/S	40 dB	90 dB	90 dB

Distorsión a 0 dBu

Entrada	Salida	Ganancia	1 kHz	10 kHz
DL251 Unidad de E/S	DL252 Unidad de E/S	0 dB	0.01%	0.01%
DL251 Unidad de E/S	DL252 Unidad de E/S	40 dB	0.03%	0.03%
DL252 Unidad de E/S	DL251 Unidad de E/S	0 dB	0.01%	0.01%
DL252 Unidad de E/S	DL251 Unidad de E/S	40 dB	0.03%	0.03%

Distorsión a +20 dBu

Entrada	Salida	Ganancia	1 kHz	10 kHz
DL251 Unidad de E/S	DL252 Unidad de E/S	0 dB	0.03%	0.03%
DL251 Unidad de E/S	DL252 Unidad de E/S	40 dB	0.03%	0.03%
DL252 Unidad de E/S	DL251 Unidad de E/S	0 dB	0.03%	0.03%
DL252 Unidad de E/S	DL251 Unidad de E/S	40 dB	0.03%	0.03%

Ruido de ruta de señal 22 Hz a 22 kHz sin medición (entradas con terminación 150R)

Entrada	Salida	Ganancia	Ruido de salida	EIN
DL251 Unidad de E/S	DL252 Unidad de E/S	0 dB	-86 dBu	-86 dBu
DL251 Unidad de E/S	DL252 Unidad de E/S	40 dB	-86 dBu	-125 dBu
DL252 Unidad de E/S	DL251 Unidad de E/S	0 dB	-86 dBu	-86 dBu
DL252 Unidad de E/S	DL251 Unidad de E/S	40 dB	-86 dBu	-125 dBu

Rango dinámico 22 Hz a 22 kHz sin medición

Entrada	Salida	Ganancia	Ruido de salida	EIN
DL251 Unidad de E/S	DL252 Unidad de E/S	0 dB	+21 dBu	107 dB
DL251 Unidad de E/S	DL252 Unidad de E/S	40 dB	+21 dBu	106 dB
DL252 Unidad de E/S	DL251 Unidad de E/S	0 dB	+21 dBu	107 dB
DL252 Unidad de E/S	DL251 Unidad de E/S	40 dB	+21 dBu	106 dB

DL251/DL252 Entradas y salidas de sistema

Entradas de unidad de E/S

Conector	XLR de 3 puntas balanceado
Convertidor A/D	24 bits, 96 kHz y sobremuestreo 128X

Salidas analógicas

Conector	XLR de 3 puntas balanceado
Convertidor D/A	24 bits, 96 kHz y sobremuestreo 128X

MIDI

Conector MIDI	Entrada, salida y thru en DIN de 5 puntas (solo para su uso con mesas de mezclas Midas)
---------------	---

Entradas y salidas de sistema E/S digital a 48 kHz

Conector de sistema (1)	1 x AES50 (48 canales de audio digital bidireccional) en XLR EtherCon®
Conector redundante (2)	1 x AES50 (48 canales de audio digital bidireccional) en XLR EtherCon® para que disponga de una copia de seguridad redundante
Conector adicional (3)	Sin uso

Entradas y salidas de sistema E/S digital a 96 kHz

Conector de sistema (1 y 2)	2 x AES50 (24 canales de audio digital bidireccional) en XLR EtherCon®
Conector N+1 (3)	1 x AES50 (24 canales de audio digital bidireccional) en XLR EtherCon® para que disponga de una copia de seguridad redundante

DL251/DL252 características de entrada y salida

Características de entrada analógica

Entrada	Carga Z	Ganancia	Nivel máximo	Conector
DL251 Unidad de E/S	10k	-2.5 dB a +45 dB	+24 dBu	XLR
DL252 Unidad de E/S	10k	-2.5 dB a +45 dB	+24 dBu	XLR

Características de salida analógica

Salida	Fuente Z	Ganancia	Nivel máximo	Conector
DL251 Unidad de E/S	50R	0 dB	+21 dBu	XLR
DL252 Unidad de E/S	50R	0 dB	+21 dBu	XLR

Características de E/S digital 48 kHz

Tipo	AES50
Canales	48
Longitud de datos	24 bits
E/S	Bidireccional
Descripción	Cumple con AES50-2006
Conector	XLR EtherCon®

Características de E/S digital 96 kHz

Tipo	AES50
Canales	24
Longitud de datos	24 bits
E/S	Bidireccional
Descripción	Cumple con AES50-2006
Conector	XLR EtherCon®

FR 7. Caractéristiques techniques

Cette section regroupe les caractéristiques techniques du DL251 et du DL252.

Du fait de notre politique d'amélioration constante de nos produits, la société Midas se réserve le droit de modifier les fonctions ou les caractéristiques techniques de ces produits sans préavis.

DL251/DL252 — Statistiques générales

Connexions XLR

DL251

1 boîtier Rack 5 U	48 entrées micro/ligne (XLR)
d'entrées/sorties avec :	
	16 sorties ligne (XLR)

DL252

1 boîtier Rack 5 U	16 entrées micro/ligne (XLR)
d'entrées/sorties avec :	
	48 sorties ligne (XLR)

Redondance

Redondance par câble N + 1 et double alimentation secteur

DL251/DL252 — caractéristiques générales

Fréquence d'échantillonnage	48 kHz/96 kHz multipaire ; 96 kHz avec console Midas
Latence	<1 ms en connexion directe entre entrée et sortie
Plage dynamique	107 dB, 22 Hz à 22 kHz (pas de pré-accélération)
gain maximum en tension	45 dB
Diaphonie à 1 kHz	-100 dB entre deux canaux d'entrée physiquement adjacents
Diaphonie à 10 kHz	-90 dB entre deux canaux d'entrée physiquement adjacents
Dimensions	DL251 : 5 U x 410 mm (p) DL252 : 5 U x 410 mm (p)
Poids net	DL251: 10 kg DL252: 10 kg
Poids à l'expédition	DL251: 18 kg DL252: 18 kg
Tension secteur	100 Vca à 240 Vca \pm 10 %, 50 à 60 Hz
Consommation électrique en 115 Vca	1 alimentation : 85 W, 85 VA 2 alimentations : 110 W, 110 VA
Consommation électrique en 230 Vca	1 PSU: 90 W, 100 VA 2 PSU: 110 W, 135 VA
Température de fonctionnement	+5° C à +40° C
Température de stockage	-20° C à +60° C

DL251/DL252 — mesures audio

Entrées	Sorties	Gain	20 Hz	20 kHz
Boîtier d'entrées/sorties DL251	Boîtier d'entrées/sorties DL252	0 dB	0 dB à -1.0 dB	0 dB à -1.0 dB
Boîtier d'entrées/sorties DL251	Boîtier d'entrées/sorties DL252	40 dB	0 dB à -1.0 dB	0 dB à -1.0 dB
Boîtier d'entrées/sorties DL252	Boîtier d'entrées/sorties DL251	0 dB	0 dB à -1.0 dB	0 dB à -1.0 dB
Boîtier d'entrées/sorties DL252	Boîtier d'entrées/sorties DL251	40 dB	0 dB à -1.0 dB	0 dB à -1.0 dB

Erreur de gain à 1 kHz

Entrées	Sorties	Gain	Max.	Min.
Boîtier d'entrées/sorties DL251	Boîtier d'entrées/sorties DL252	0 dB	+1.0 dB	-1.0 dB
Boîtier d'entrées/sorties DL251	Boîtier d'entrées/sorties DL252	40 dB	+1.0 dB	-1.0 dB
Boîtier d'entrées/sorties DL252	Boîtier d'entrées/sorties DL251	0 dB	+1.0 dB	-1.0 dB
Boîtier d'entrées/sorties DL252	Boîtier d'entrées/sorties DL251	40 dB	+1.0 dB	-1.0 dB

Réjection de mode commun de l'entrée

Entrées	Sorties	Gain	100 Hz	1 kHz
Boîtier d'entrées/sorties DL251	Boîtier d'entrées/sorties DL252	0 dB	60 dB	60 dB
Boîtier d'entrées/sorties DL251	Boîtier d'entrées/sorties DL252	40 dB	90 dB	90 dB
Boîtier d'entrées/sorties DL252	Boîtier d'entrées/sorties DL251	0 dB	60 dB	60 dB
Boîtier d'entrées/sorties DL252	Boîtier d'entrées/sorties DL251	40 dB	90 dB	90 dB

Distorsion à 0 dBu

Entrées	Sorties	Gain	1 kHz	10 kHz
Boîtier d'entrées/sorties DL251	Boîtier d'entrées/sorties DL252	0 dB	0.01%	0.01%
Boîtier d'entrées/sorties DL251	Boîtier d'entrées/sorties DL252	40 dB	0.03%	0.03%

Entrées	Sorties	Gain	1 kHz	10 kHz
Boîtier d'entrées/sorties DL252	Boîtier d'entrées/sorties DL251	0 dB	0.01%	0.01%
Boîtier d'entrées/sorties DL252	Boîtier d'entrées/sorties DL251	40 dB	0.03%	0.03%

Distorsion à +20 dBu

Entrées	Sorties	Gain	1 kHz	10 kHz
Boîtier d'entrées/sorties DL251	Boîtier d'entrées/sorties DL252	0 dB	0.03%	0.03%
Boîtier d'entrées/sorties DL251	Boîtier d'entrées/sorties DL252	40 dB	0.03%	0.03%
Boîtier d'entrées/sorties DL252	Boîtier d'entrées/sorties DL251	0 dB	0.03%	0.03%
Boîtier d'entrées/sorties DL252	Boîtier d'entrées/sorties DL251	40 dB	0.03%	0.03%

Bruit du trajet du signal 22 Hz à 22 kHz, mesure non pondérée (terminaisons d'entrée de 150R)

Entrées	Sorties	Gain	Bruit de sortie	Bruit équivalent rapporté en entrée
Boîtier d'entrées/sorties DL251	Boîtier d'entrées/sorties DL252	0 dB	-86 dBu	-86 dBu
Boîtier d'entrées/sorties DL251	Boîtier d'entrées/sorties DL252	40 dB	-86 dBu	-125 dBu
Boîtier d'entrées/sorties DL252	Boîtier d'entrées/sorties DL251	0 dB	-86 dBu	-86 dBu
Boîtier d'entrées/sorties DL252	Boîtier d'entrées/sorties DL251	40 dB	-86 dBu	-125 dBu

Plage dynamique 22 Hz à 22 kHz, mesure non pondérée

Entrées	Sorties	Gain	Bruit de sortie	Bruit équivalent rapporté en entrée
Boîtier d'entrées/sorties DL251	Boîtier d'entrées/sorties DL252	0 dB	+21 dBu	107 dB
Boîtier d'entrées/sorties DL251	Boîtier d'entrées/sorties DL252	40 dB	+21 dBu	106 dB

Entrées	Sorties	Gain	Bruit de sortie	Bruit équivalent rapporté en entrée
Boîtier d'entrées/sorties DL252	Boîtier d'entrées/sorties DL251	0 dB	+21 dBu	107 dB
Boîtier d'entrées/sorties DL252	Boîtier d'entrées/sorties DL251	40 dB	+21 dBu	106 dB

DL251/DL252 — entrées et sorties**Entrées de boîtiers d'entrées/sorties**

Connecteur	XLR 3 broches symétrique
Convertisseur A/N	24-bits, 96 kHz et sur-échantillonnage 128 fois

Sorties analogiques du boîtier

Connecteur	XLR 3 broches symétrique
Convertisseur N/A	24-bits, 96 kHz et sur-échantillonnage 128 fois

MIDI

Connecteur MIDI	In, out et through en DIN 5 broches (utilisation avec les consoles Midas uniquement)
-----------------	--

Entrées/sorties du système numérique à 48 kHz

Connecteur système (1)	1 connecteur AES50 (48 canaux audio numériques bidirectionnels) en XLR EtherCon®
Connecteur redondant (2)	1 connecteur AES50 (48 canaux audio numériques bidirectionnels) en XLR EtherCon® fournissant la redondance de secours
Connecteur supplémentaire (3)	Non utilisé

Entrées/sorties du système numérique à 96 kHz

Connecteur système (1 et 2)	2 connecteurs AES50 (24 canaux audio numériques bidirectionnels) en XLR EtherCon®
Connecteur N+1 (3)	1 connecteur AES50 (24 canaux audio numériques bidirectionnels) en XLR EtherCon® fournissant la redondance de secours

DL251/DL252 — caractéristiques des entrées et sorties

Caractéristiques d'entrées analogiques

Entrées	Impédance de charge	Gain	Niveau max.	Connecteur
Boîtier d'entrées/sorties DL251	10 k	-2.5 dB à +45 dB	+24 dBu	XLR
Boîtier d'entrées/sorties DL252	10 k	-2.5 dB à +45 dB	+24 dBu	XLR

Caractéristiques des sorties analogiques

Sorties	Impédance de source	Gain	Niveau max.	Connecteur
Boîtier d'entrées/sorties DL251	50 R	0 dB	+21 dBu	XLR
Boîtier d'entrées/sorties DL252	50 R	0 dB	+21 dBu	XLR

Caractéristiques d'entrée/sortie numérique à 48 kHz

Type	AES50
Canaux	48
Résolution	24-bits
Entrée/sortie	Bidirectionnelle
Remarques de description	Conforme à la norme AES50-2006
Connecteur	XLR EtherCon®

Caractéristiques d'entrée/sortie numérique à 96 kHz

Type	AES50
Canaux	24
Résolution	24-bits
Entrée/sortie	Bidirectionnelle
Remarques de description	Conforme à la norme AES50-2006
Connecteur	XLR EtherCon®

PT Especificações Técnicas

Esta seção contém as especificações técnicas das unidades DL251 e DL252.

Devido a uma política de melhoria contínua, a Midas reserva-se o direito de alterar a função ou especificação a qualquer momento sem aviso prévio.

Estatísticas gerais do DL251/DL252

Conexões XLR

DL251

1 x racks 5U de caixa de entrada e saída:	48 x entradas mic/linha (XLR) 16 x saídas de linha (XLR)
---	---

DL252

1 x racks 5U de caixa de entrada e saída:	16 x entradas mic/linha (XLR) 48 x saídas de linha (XLR)
---	---

Resiliência

N + 1 redundância de cabo e redundância PSU dupla

Especificações gerais DL251/DL252

Frequência de amostragem	snake de 48kHz/96kHz; 96kHz com console Midas
Atraso de latência	<1ms entrada para a saída de conexão direta
Faixa dinâmica	107dB, 22Hz até 22kHz (sem pré-ênfase)
Ganho de tensão máximo	45dB
Crosstalk @ 1kHz	-100dB canais de entrada fisicamente adjacentes
Crosstalk @ 10kHz	-90dB canais de entrada fisicamente adjacentes
Dimensões	DL251: 5U x 410 mm profundidade DL252: 5U x 410 mm profundidade
Peso líquido	DL251: 10 kg DL252: 10 kg
Peso da embalagem	DL251: 18 kg DL252: 18 kg
Requisitos de energia	100V a 240V AC ±10%, 50 a 60Hz
Consumo de energia a 115V	1 PSU: 85W, 85VA 2 PSU: 110W, 110VA
Consumo de energia a 230V	1 PSU: 90W, 100VA 2 PSU: 110W, 135VA
Faixa de temperatura operacional	+5°C a +40°C
Faixa de temperatura de armazenamento	-20°C a +60°C

Especificações de desempenho de áudio DL251/DL252

Entrada	Saída	Ganho	20Hz	20kHz
Caixa de entrada e saída DL251	Caixa de entrada e saída DL252	0dB	0dB a -1.0dB	0dB a -1.0dB
Caixa de entrada e saída DL251	Caixa de entrada e saída DL252	40dB	0dB a -1.0dB	0dB a -1.0dB
Caixa de entrada e saída DL252	Caixa de entrada e saída DL251	0dB	0dB a -1.0dB	0dB a -1.0dB
Caixa de entrada e saída DL252	Caixa de entrada e saída DL251	40dB	0dB a -1.0dB	0dB a -1.0dB

Ganho de erro a 1kHz

Entrada	Saída	Ganho	Máx.	Min.
Caixa de entrada e saída DL251	Caixa de entrada e saída DL252	0dB	+1.0dB	-1.0dB
Caixa de entrada e saída DL251	Caixa de entrada e saída DL252	40dB	+1.0dB	-1.0dB
Caixa de entrada e saída DL252	Caixa de entrada e saída DL251	0dB	+1.0dB	-1.0dB
Caixa de entrada e saída DL252	Caixa de entrada e saída DL251	40dB	+1.0dB	-1.0dB

Entrada CMRR

Entrada	Saída	Ganho	100Hz	1kHz
Caixa de entrada e saída DL251	Caixa de entrada e saída DL252	0dB	60dB	60dB
Caixa de entrada e saída DL251	Caixa de entrada e saída DL252	40dB	90dB	90dB
Caixa de entrada e saída DL252	Caixa de entrada e saída DL251	0dB	60dB	60dB
Caixa de entrada e saída DL252	Caixa de entrada e saída DL251	40dB	90dB	90dB

Distorção a 0dBu

Entrada	Saída	Ganho	1kHz	10kHz
Caixa de entrada e saída DL251	Caixa de entrada e saída DL252	0dB	0.01%	0.01%
Caixa de entrada e saída DL251	Caixa de entrada e saída DL252	40dB	0.03%	0.03%
Caixa de entrada e saída DL252	Caixa de entrada e saída DL251	0dB	0.01%	0.01%
Caixa de entrada e saída DL252	Caixa de entrada e saída DL251	40dB	0.03%	0.03%

Distorção a +20dBu

Entrada	Saída	Ganho	1kHz	10kHz
Caixa de entrada e saída DL251	Caixa de entrada e saída DL252	0dB	0.03%	0.03%
Caixa de entrada e saída DL251	Caixa de entrada e saída DL252	40dB	0.03%	0.03%
Caixa de entrada e saída DL252	Caixa de entrada e saída DL251	0dB	0.03%	0.03%
Caixa de entrada e saída DL252	Caixa de entrada e saída DL251	40dB	0.03%	0.03%

Ruído de caminho de sinal 22Hz a 22kHz não ponderada (entradas 150R terminadas)

Entrada	Saída	Ganho	Ruído da saída	Ruído de entrada equivalente
Caixa de entrada e saída DL251	Caixa de entrada e saída DL252	0dB	-86dBu	-86dBu
Caixa de entrada e saída DL251	Caixa de entrada e saída DL252	40dB	-86dBu	-125dBu
Caixa de entrada e saída DL252	Caixa de entrada e saída DL251	0dB	-86dBu	-86dBu
Caixa de entrada e saída DL252	Caixa de entrada e saída DL251	40dB	-86dBu	-125dBu

Faixa dinâmica de 22Hz a 22kHz não ponderada

Entrada	Saída	Ganho	Ruído da saída	Ruído de entrada equivalente
Caixa de entrada e saída DL251	Caixa de entrada e saída DL252	0dB	+21dBu	107dB
Caixa de entrada e saída DL251	Caixa de entrada e saída DL252	40dB	+21dBu	106dB
Caixa de entrada e saída DL252	Caixa de entrada e saída DL251	0dB	+21dBu	107dB
Caixa de entrada e saída DL252	Caixa de entrada e saída DL251	40dB	+21dBu	106dB

Entradas e Saídas de sistema DL251/DL252

Entrada de caixa de entrada/saída (I/O)	
Conector	Balancedo XLR de 3 pinos
Conversor A/D	24-bit, 96kHz e 128 vezes oversampling
Saídas análogas de caixa	
Conector	Balancedo XLR de 3 pinos
Conversor digital-analógico	24-bit, 96kHz e 128 vezes oversampling
MIDI	
Conector MIDI	Entrada, saída e through em DIN de 5 pinos (apenas para uso com consoles Midas)
Entradas e saídas de sistema digital de 48kHz I/O	
Conector de sistema (1)	1 x AES50 (48 canais de áudio digital bi-direcional) no EtherCon® XLR
Conector redundante (2)	1 x AES50 (48 canais de áudio digital bi-direcional) no EtherCon® XLR fornecendo back-up redundante
Conector extra (3)	Não usado
Entradas e saídas de sistema digital de 96kHz I/O	
Conector de sistema (1 e 2)	2 x AES50 (24 canais de áudio digital bi-direcional) no EtherCon® XLR fornecendo back-up redundante
Conector N+1 (3)	1 x AES50 (24 canais de áudio bi-direcional em EtherCon® XLR fornecendo back-up redundante)

Características de entrada e saída DL251/DL252

Características análogas de entrada

Entrada	Carga Z	Ganho	Nível máx.	Connector
Caixa de entrada e saída DL251	10k	-2.5dB a +45dB	+24dBu	XLR
Caixa de entrada e saída DL252	10k	-2.5dB a +45dB	+24dBu	XLR

Características de saída análoga

Saída	Fonte Z	Ganho	Nível máx.	Connector
Caixa de entrada e saída DL251	50R	0dB	+21dBu	XLR
Caixa de entrada e saída DL252	50R	0dB	+21dBu	XLR

Características de entrada/saída digital I/O de 48kHz

Tipo	AES50
Canais	48
Comprimento de dados	24-bit
Entrada/Saída (I/O)	Bi-direcional
Observações da descrição	Em conformidade com AES50-2006
Conector	EtherCon® XLR

Características de entrada/saída digital I/O de 96kHz

Tipo	AES50
Canais	24
Comprimento de dados	24-bit
Entrada/Saída (I/O)	Bi-direcional
Observações da descrição	Em conformidade com AES50-2006
Conector	EtherCon® XLR

DE 7. Technische Daten

Dieser Abschnitt enthält die technischen Daten des DL251 und DL252 Systems.

Im Sinne ständiger Produktverbesserungen behält sich Midas das Recht vor, die Funktionsweise und technischen Daten jederzeit unangekündigt zu ändern.

DL251/DL252 Allgemeines

XLR-Anschlüsse

DL251

1 x 5HE Rack I/O Gehäuse umfasst:	48 x (XLR) Mic/Line-Eingänge 16 x (XLR) Line-Ausgänge
-----------------------------------	--

DL252

1 x 5HE Rack I/O Gehäuse umfasst:	16 x (XLR) Mic/Line-Eingänge 48 x (XLR) Line-Ausgänge
-----------------------------------	--

Ausfallsicherheit

N + 1 Kabelredundanz und zwei redundante Stromversorgungseinheiten

DL251/DL252 Allgemeine Spezifikationen

Samplingfrequenz	48 kHz/96 kHz Multicore; 96 kHz mit Midas-Mischpult
Latenz	<1 ms bei Direktanschluss Eingang auf Ausgang
Dynamikbereich	107 dB, 22 Hz bis 22 kHz (keine Preemphasis)
Maximale Spannungsverstärkung	45 dB
Übersprechen @ 1 kHz	-100 dB bei physisch benachbarten Eingangskanälen
Übersprechen @ 10 kHz	-90 dB bei physisch benachbarten Eingangskanälen
Abmessungen	DL251: 5HE x 410 mm Tiefe DL252: 5HE x 410 mm Tiefe
Nettogewicht	DL251: 10 kg DL252: 10 kg
Transportgewicht	DL251: 18 kg DL252: 18 kg
Spannungsbedarf	100V bis 240V AC \pm 10%, 50 bis 60 Hz
Leistungsaufnahme bei 115V	1 Stromversorgungseinheit: 85 W, 85VA 2 Stromversorgungseinheiten: 110 W, 110VA
Leistungsaufnahme bei 230V	1 Stromversorgungseinheit: 90 W, 100VA 2 Stromversorgungseinheiten: 110 W, 135VA
Betriebstemperaturbereich	+5° C bis +40° C
Lagerungstemperaturbereich	-20° C bis +60° C

DL251/DL252 Audio-Leistungsdaten

Eingang	Ausgang	Verstärkung	20Hz	20kHz
DL251 I/O Box	DL252 I/O Box	0 dB	0 dB bis -1.0 dB	0 dB bis -1.0 dB
DL251 I/O Box	DL252 I/O Box	40 dB	0 dB bis -1.0 dB	0 dB bis -1.0 dB
DL252 I/O Box	DL251 I/O Box	0 dB	0 dB bis -1.0 dB	0 dB bis -1.0 dB
DL252 I/O Box	DL251 I/O Box	40 dB	0 dB bis -1.0 dB	0 dB bis -1.0 dB

Verstärkungsfehler bei 1 kHz

Eingang	Ausgang	Verstärkung	Max.	Min.
DL251 I/O Box	DL252 I/O Box	0 dB	+1.0 dB	-1.0 dB
DL251 I/O Box	DL252 I/O Box	40 dB	+1.0 dB	-1.0 dB
DL252 I/O Box	DL251 I/O Box	0 dB	+1.0 dB	-1.0 dB
DL252 I/O Box	DL251 I/O Box	40 dB	+1.0 dB	-1.0 dB

Gleichtaktunterdrückung am Eingang

Eingang	Ausgang	Verstärkung	100Hz	1kHz
DL251 I/O Box	DL252 I/O Box	0 dB	60 dB	60 dB
DL251 I/O Box	DL252 I/O Box	40 dB	90 dB	90 dB
DL252 I/O Box	DL251 I/O Box	0 dB	60 dB	60 dB
DL252 I/O Box	DL251 I/O Box	40 dB	90 dB	90 dB

Verzerrungen bei 0 dBu

Eingang	Ausgang	Verstärkung	1kHz	10kHz
DL251 I/O Box	DL252 I/O Box	0 dB	0.01%	0.01%
DL251 I/O Box	DL252 I/O Box	40 dB	0.03%	0.03%
DL252 I/O Box	DL251 I/O Box	0 dB	0.01%	0.01%
DL252 I/O Box	DL251 I/O Box	40 dB	0.03%	0.03%

Verzerrungen bei +20 dBu

Eingang	Ausgang	Verstärkung	1kHz	10kHz
DL251 I/O Box	DL252 I/O Box	0 dB	0.03%	0.03%
DL251 I/O Box	DL252 I/O Box	40 dB	0.03%	0.03%
DL252 I/O Box	DL251 I/O Box	0 dB	0.03%	0.03%
DL252 I/O Box	DL251 I/O Box	40 dB	0.03%	0.03%

EN

ES

FR

PT

DE

Rauschen im Signalweg 22 Hz bis 22 kHz unbewertet (Eingänge 150R terminiert)

Eingang	Ausgang	Verstärkung	Ausgangsrauschen	Äquivalentes Eingangsrauschen
DL251 I/O Box	DL252 I/O Box	0 dB	-86 dBu	-86 dBu
DL251 I/O Box	DL252 I/O Box	40 dB	-86 dBu	-125 dBu
DL252 I/O Box	DL251 I/O Box	0 dB	-86 dBu	-86 dBu
DL252 I/O Box	DL251 I/O Box	40 dB	-86 dBu	-125 dBu

Dynamikbereich 22 Hz bis 22 kHz unbewertet

Eingang	Ausgang	Verstärkung	Ausgangsrauschen	Äquivalentes Eingangsrauschen
DL251 I/O Box	DL252 I/O Box	0 dB	+21 dBu	107 dB
DL251 I/O Box	DL252 I/O Box	40 dB	+21 dBu	106 dB
DL252 I/O Box	DL251 I/O Box	0 dB	+21 dBu	107 dB
DL252 I/O Box	DL251 I/O Box	40 dB	+21 dBu	106 dB

DL251/DL252 Systemeingänge und -ausgänge

I/O Box Eingänge	
Anschluss	3-Pol XLR symmetrisch
A/D Konverter	24-Bit, 96 kHz und 128-faches Oversampling

Box Analogausgänge	
Anschluss	3-Pol XLR symmetrisch
D/A Konverter	24-Bit, 96 kHz und 128-faches Oversampling

MIDI	
MIDI-Anschluss	In, Out und Through auf 5-Pol DIN (nur für Midas-Mischpulte verwendbar)

48 kHz I/O Digitalsystem Eingänge und Ausgänge	
Systemanschluss (1)	1 x AES50 (48 Kanäle mit bidirektionalem Digitalaudio) an EtherCon® XLR
Redundanter Anschluss (2)	1 x AES50 (48 Kanäle mit bidirektionalem Digitalaudio) an EtherCon® XLR als redundante Reserve
Zusätzlicher Anschluss (3)	Nicht verwendet

96 kHz I/O Digitalsystem Eingänge und Ausgänge	
Systemanschluss (1 und 2)	2 x AES50 (24 Kanäle mit bidirektionalem Digitalaudio) an EtherCon® XLR
N+1 Anschluss (3)	1 x AES50 (24 Kanäle mit bidirektionalem Digitalaudio) an EtherCon® XLR als redundante Reserve

DL251/DL252 Eingangs- und Ausgangscharakteristiken

Analogeingang-Charakteristiken

Eingang	Lastimpedanz	Verstärkung	Maximalpegel	Anschluss
DL251 I/O Box	10k	-2.5 dB bis +45 dB	+24 dBu	XLR
DL252 I/O Box	10k	-2.5 dB bis +45 dB	+24 dBu	XLR

Analogausgang-Charakteristiken

Ausgang	Quellimpedanz	Verstärkung	Maximalpegel	Anschluss
DL251 I/O Box	50R	0 dB	+21 dBu	XLR
DL252 I/O Box	50R	0 dB	+21 dBu	XLR

48 kHz Digital I/O Charakteristiken	
Typ	AES50
Kanäle	48
Datenlänge	24-bit
I/O	Bidirektional
Beschreibungshinweise	Entspricht AES50-2006
Anschluss	EtherCon® XLR

96 kHz Digital I/O Charakteristiken	
Typ	AES50
Kanäle	24
Datenlänge	24-bit
I/O	Bidirektional
Beschreibungshinweise	Entspricht AES50-2006
Anschluss	EtherCon® XLR

DL251/DL252 Service Information

EN 8. Service Information

This section gives you servicing information for your unit.

If you are in any doubt or have queries about any of the procedures in this section, contact Midas Technical Support. Contact details can be found at the front of this manual.

Routine maintenance

To help keep your unit in good working order and to make sure it gives you optimum performance, we recommend that you adhere to the following maintenance schedules.

Action	Monthly	Yearly
Clean the unit (see "Cleaning the unit" below).	Yes	-
Check all controls, such as pushbuttons, for freedom of operation.	Yes	-
Check the functionality of all controls and indicators, such as LEDs.	Yes	-
Check the functionality of the equipment.	Yes	-
Clean the internal fans (see "Cleaning the internal fans" below).	-	Yes

Cleaning the unit

! Switch off the unit and electrically isolate it from the mains **before** cleaning.

Clean the unit using a dry, lint-free cloth. Don't use harsh abrasives or solvents.

Cleaning the internal fans

! This procedure must be carried out by a fully qualified service engineer.

The unit's internal fans need to be cleaned regularly to remove the build up of dust, dirt, etc. We recommend that they are cleaned at least once a year, provided the unit has been operated under normal conditions. However, if the operating conditions are more adverse or extreme, for example, if the unit is operated in the vicinity of smoke machines, new carpets, etc., this frequency should be increased accordingly.

Equipment disposal

When this equipment has come to the end of its useful life, its disposal may come under the DIRECTIVE 2002/96/EC OF THE EUROPEAN PARLIAMENT AND OF THE COUNCIL of 27 January 2003 on waste electrical and electronic equipment (WEEE).

Hazardous substances in WEEE contaminate water, soil and air and ultimately put at risk our environment and health. The directive aims to minimize the impacts of WEEE on the environment during their life times and when they become waste.

The WEEE directive addresses the disposal of products when they have reached the end of their life and contributes to the reduction of wasteful consumption of natural resources. This will help to reduce pollution, and protect the environment and ourselves.



If this equipment carries a 'crossed-out wheelie bin' (shown left), please do not dispose of WEEE as unsorted municipal waste but collect and dispose of in accordance with local WEEE legislation. The horizontal bar underneath indicates that the product was placed on the EU market after 13th August 2005.

For WEEE disposal, see our website at www.midasconsoles.com for information.

ES 8. Información de mantenimiento

Esta sección le ofrece información relativa al mantenimiento de esta unidad.

Si tiene cualquier duda o quiere realizar alguna consulta relativa a los procesos indicados en esta sección, póngase en contacto con el departamento de servicio técnico de Midas. Puede encontrar los detalles de contacto en la portada de este manual.

Rutina de mantenimiento

Para ayudarle a hacer que su unidad esté siempre en perfecto estado operativo y asegurarse de esta manera un rendimiento óptimo, le recomendamos que realice las siguientes rutinas de mantenimiento.

Acción	Mensualmente	Anualmente
Limpieza de la unidad (vea "Limpieza de la unidad" abajo).	Sí	-
Verificación de que todos los controles y pulsadores funcionan libremente.	Sí	-
Verificación de la funcionalidad de todos los controles e indicadores, como pueden ser los pilotos LED.	Sí	-
Verificación del correcto funcionamiento del aparato.	Sí	-
Limpieza de los ventiladores internos (vea "Limpieza de los ventiladores internos" abajo).	-	Si

Limpeza de la unidad

! Apague la unidad y aislela desde el punto de vista eléctrico antes de limpiarla.

Limpe esta unidad usando un trapo seco, suave y que no suelte pelusas. Nunca utilice ningún disolvente o producto abrasivo.

Limpeza de los ventiladores internos

! Este procedimiento solo debe ser realizado por un especialista del servicio técnico oficial.

Los ventiladores internos de este aparato deben ser limpiados de forma periódica para eliminar la acumulación de polvo, suciedad, etc. Le recomendamos que los limpie al menos una vez al año, siempre y cuando haya usado la unidad en condiciones de uso normales. No obstante, si las condiciones de trabajo han sido adversas o extremas, por ejemplo, si ha usado este aparato cerca de máquinas de humo, moquetas nuevas, etc. límpielos con una frecuencia menor.

Eliminación de este aparato

Cuando este aparato haya llegado al final de su vida útil, deberá eliminarlo siguiendo lo indicado en la DIRECTIVA 2002/96/EC DEL PARLAMENTO EUROPEO Y DEL CONSEJO DE EUROPA de 27 de enero de 2003, relativas a la eliminación de dispositivos eléctricos y electrónicos (WEEE).

Las sustancias dañinas contenidas dentro de los aparatos englobados en esta categoría WEEE contaminan el agua, la tierra y el aire y pueden suponer un riesgo para el medio ambiente y la salud. Esta directiva ha sido diseñada para reducir al mínimo el impacto de estos WEEE en el entorno durante su vida útil y cuando deban ser eliminados.

La directiva WEEE marca unas pautas en cuanto a la eliminación de estos productos cuando hayan llegado al final de su vida útil y contribuye a la reducción del consumo de recursos naturales. Esto ayudará también a reducir la polución y proteger tanto al medio ambiente como a nosotros mismos.



Si este aparato viene marcado con el símbolo de un 'cubo de basura tachado' (como el que puede ver a la izquierda), no lo elimine junto con el resto de basura orgánica. Deberá eliminar este aparato de acuerdo a lo indicado en las normas municipales sobre WEEE, habitualmente a través de un "punto limpio". La barra horizontal debajo del

símbolo indica que este producto fue comercializado en el mercado europeo con posterioridad al 13 de agosto del 2005.

Para saber cómo debe eliminar estos aparatos WEEE, vea toda la información sobre ese tema en nuestra página web www.midasconsoles.com.

FR 8. Information sur la maintenance

Cette section vous donne les informations de maintenance de cet appareil

En cas de doute, ou si vous avez des questions sur les procédures de cette section, contactez l'assistance technique de Midas. Vous trouverez les informations de contact en début de ce mode d'emploi.

Maintenance de routine

Pour conserver cet appareil en bonnes conditions de fonctionnement, et pour vous garantir un fonctionnement optimal, il est conseillé de suivre le calendrier de maintenance suivant :

Action	Mensuelle	Annuelle
Nettoyer l'appareil (voir "Nettoyage de l'appareil" plus avant).	Oui	-
Vérifiez tous les contrôles et leur liberté de mouvement, comme les poussoirs	Oui	-
Vérifiez le fonctionnement de tous les contrôles et témoins, comme les Leds.	Oui	-
Vérifiez le fonctionnement de l'équipement.	Oui	-
Nettoyez les ventilateurs internes (voir "Nettoyage des ventilateurs internes" plus avant).	-	Oui

Nettoyage de l'appareil

! Placez l'appareil hors tension et isolez-le électriquement du secteur avant de le nettoyer.

Nettoyez l'appareil avec un tissu sec exempt de peluches. N'utilisez pas de solvants ou de produits abrasifs.

Nettoyage des ventilateurs internes

! Cette procédure doit être menée uniquement par un technicien de maintenance qualifié.

Les ventilateurs internes doivent être nettoyés régulièrement pour enlever les dépôts. Il est conseillé de les nettoyer au moins une fois par an, dans la mesure où l'appareil a été utilisé dans des conditions normales. En cas de conditions d'utilisation extrêmes, par exemple, si vous utilisez l'appareil à proximité de machines produisant de la fumée, de moquettes neuves, etc., augmentez la fréquence des nettoyages.

Mise au rebut de l'appareil

Lorsque cet appareil arrive en fin de vie, sa mise au rebut est régie par la DIRECTIVE 2002/96/EC DU PARLEMENT EUROPÉEN ET DU CONSEIL du 27 janvier 2003 sur la mise au rebut des équipements électriques et électroniques (WEEE).

Les substances dangereuses dans les équipements électriques et électroniques contaminent l'eau, le sol et endommagent notre environnement et notre santé. La directive vise à minimiser les impacts des équipements électriques et électroniques sur l'environnement lorsqu'ils arrivent en fin de vie et sont mis au rebut

La directive WEEE sur les équipements électriques et électroniques régle la mise au rebut des produits en fin de vie et contribue à la réduction de la consommation de produits naturels contaminés. Ceci réduit la pollution, et protège l'environnement et nous-mêmes.



Si cet appareil porte le logo d'une poubelle avec une croix (indiqué à gauche), veuillez à ne pas placer cet équipement électrique et électronique avec les ordures ménagères communes — ces produits doivent être collectés et traités selon les lois locales. La barre horizontale de dessous indique que le produit a été placé sur le marché de la CEE

après le 13 août 2005.

Pour la mise au rebut des produits électriques et électroniques, consultez notre site Internet à l'adresse www.midasconsoles.com.

PT 8. Informação de serviços

Esta seção oferece informações sobre serviços para sua unidade.

Se tiver alguma dúvida ou perguntas sobre algum dos procedimentos nesta seção, entre em contato com o suporte técnico Midas "Midas Technical Support". Informações para contato podem ser encontrados na parte da frente deste manual.

Manutenção de rotina

Para ajudá-lo a manter sua unidade em bom funcionamento e ter certeza de que ela lhe ofereça desempenho otimizado, recomendamos que você siga o seguinte calendário de manutenção.

Ação	Mensalmente	Anualmente
Limpe a unidade (verificar "Limpar a unidade" abaixo).	Sim	-
Verificar todos os controles, tais como botões de apertar, para liberação da operação.	Sim	-
Verificar a funcionalidade de todos os controles e indicadores, tais como LEDs.	Sim	-
Verificar a funcionalidade do equipamento.	Sim	-
Limpar os ventiladores internos (verificar "Limpar os ventiladores internos" abaixo).	-	Sim

Limpar a unidade

Desligue a unidade e isole-a eletricamente de todas as correntes antes de limpá-la.

Limpe a unidade usando um pano seco que não solte fiapos. Não use abrasivos nem solventes fortes.

Limpar os ventiladores internos

Este procedimento deve ser feito por um engenheiro prestador de serviços completamente qualificado.

Os ventiladores internos da unidade precisam ser limpos regularmente para remover a poeira, sujeira, etc, acumuladas. Recomendamos que eles sejam limpos pelo menos uma vez ao ano, desde que a unidade tenha sido operada sob condições normais. No entanto, se as condições de operação tiverem sido mais adversas ou extremas, por exemplo, se a unidade for operada perto de máquinas que soltem fumaça, carpetes novos, etc., esta frequência deve ser aumentada de acordo com a necessidade.

Descarte do equipamento

Quando a vida útil deste equipamento estiver chegado ao fim, ele deve ser descartado de acordo com a diretiva DIRECTIVE 2002/96/EC OF THE EUROPEAN PARLIAMENT AND OF THE COUNCIL de 27 de janeiro de 2003, sobre descarte de equipamento elétrico e eletrônico.

Substâncias perigosas em REEE contaminam a água, o solo e o ar e colocam nossa saúde ambiental e saúde em risco. A diretiva tem o objetivo de minimizar os impactos do REEE no meio ambiente durante sua vida útil e quando for descartado.

A diretiva REEE aborda o descarte de produtos quando eles alcançam o fim da sua vida útil e contribui na redução do desperdício de consumo de recursos naturais. Isto ajuda a reduzir a poluição, e proteger o ambiente e a todos nós.



Caso este equipamento tenha uma 'lata de lixo cruzada' (demonstrada a esquerda), favor não descarte o REEE como lixo municipal, ao invés disso, colete-o e descarte-o de acordo com a legislação REEE local. A barra horizontal abaixo indica que o produto foi colocado no mercado da UE após 13 de agosto de 2005.

Para obter informações sobre lixo REEE, verificar nosso website www.midasconsoles.com para obter informações.

DE 8. Wartungsinformationen

In diesem Abschnitt erhalten Sie Wartungsinformationen zu Ihrem Gerät.

In Zweifelsfällen oder bei Fragen zu den in diesem Abschnitt beschriebenen Verfahren kontaktieren Sie bitte den Midas Technical Support. Die Kontaktdetails finden Sie am Anfang des Handbuchs.

Regelmäßige Wartung

Gehen Sie nach folgendem Wartungszeitplan vor, um den korrekten Betrieb und die optimale Performance Ihres Geräts sicherzustellen.

Aktion	Monatlich	Jährlich
Gerät reinigen (siehe "Gerät reinigen" unten).	Ja	-
Alle Regler, z. B. Drucktasten, für eine ungehinderte Bedienung prüfen	Ja	-
Funktion aller Regler und Anzeigen, z. B. LEDs, prüfen.	Ja	-
Funktion des Geräts prüfen.	Ja	-
Interne Ventilatoren reinigen (siehe " Interne Ventilatoren reinigen" unten).	-	Ja

Gerät reinigen

! Vor der Reinigung sollten Sie das Gerät ausschalten und elektrisch vom Stromnetz trennen.

Reinigen Sie das Gerät mit einem trockenen, faserfreien Tuch. Verwenden Sie keine scharfen Scheuer- oder Lösungsmittel.

Interne Ventilatoren reinigen

! Dieses Verfahren muss von einem qualifizierten Wartungstechniker durchgeführt werden.

Die internen Ventilatoren des Geräts müssen regelmäßig gereinigt werden, um Ansammlungen von Staub, Schmutz usw. zu entfernen. Bei normalen Betriebsbedingungen sollte diese Reinigung mindestens einmal im Jahr durchgeführt werden. Bei ungünstigeren oder extremen Betriebsbedingungen, z. B. Betrieb in der Nähe von Nebelmaschinen, neuen Teppichen usw., sollte man die Reinigungsintervalle entsprechend verkürzen.

Entsorgung des Geräts

Am Ende seiner Nutzungsdauer fällt die Entsorgung des Geräts unter die RICHTLINIE 2002/96/EG DES EUROPÄISCHEN PARLAMENTS UND DES RATES VOM 27. JANUAR 2003 über Elektro- und Elektronik-Altgeräte (WEEE).

Gefährliche Substanzen in WEEE vergiften Wasser, Boden und Luft und gefährden letztendlich unsere Umwelt und Gesundheit. Die Richtlinie möchte die Umweltauswirkungen von WEEE während und nach ihrer Nutzung verringern.

Die WEEE-Richtlinie befasst sich mit der Entsorgung von Produkten nach ihrer Nutzungsphase und trägt zur Verringerung des verschwenderischen Verbrauchs natürlicher Ressourcen bei. Dies verringert die Schadstoffbelastung und schützt uns und unsere Umwelt.



2005 auf den EU-Markt gekommen ist.

Wenn dieses Gerät mit einer durchgekrenzten Mülltonne gekennzeichnet ist (siehe links), sollten Sie das WEEE nicht als unsortierten Hausmüll wegwerfen, sondern sammeln und entsprechend den örtlichen WEEE-Vorschriften entsorgen. Der horizontale Balken unter dem Symbol zeigt an, dass das Produkt nach dem 13. August

Weitere Informationen zur WEEE-Entsorgung finden Sie auf unserer Website unter www.midasconsoles.com.

Other important information

EN

EN Important information

- 1 Register online.** Please register your new Midas equipment right after you purchase it by visiting www.midasconsoles.com. Registering your purchase using our simple online form helps us to process your repair claims more quickly and efficiently. Also, read the terms and conditions of our warranty, if applicable.
- 2 Malfunction.** Should your MUSIC Group Authorized Reseller not be located in your vicinity, you may contact the MUSIC Group Authorized Fulfiler for your country at www.midasconsoles.com. If your country is not listed please contact the "United Kingdom (Midas/KT main office)" located under "Service ↳ Service/Repairs" on the www.midasconsoles.com website. Alternatively, please submit the online warranty return form found under "Service ↳ Warranty Registration" on www.midasconsoles.com BEFORE returning the product. All enquires must be accompanied by the description of the problem and the serial number of the product. The warranty eligibility will be verified from the original sales receipt.
- 3 Power Connections.** Before plugging the unit into a power socket, please make sure you are using the correct mains voltage for your particular model. Faulty fuses must be replaced with fuses of the same type and rating without exception.

ES Aspectos importantes

- 1 Registro online.** Le recomendamos que registre su nuevo aparato Midas justo después de su compra accediendo a la página web www.midasconsoles.com. El registro de su compra a través de nuestro sencillo sistema online nos ayudará a resolver cualquier incidencia que se presente a la mayor brevedad posible. Además, aproveche para leer los términos y condiciones de nuestra garantía, si es aplicable en su caso.
- 2 Averías.** En el caso de que no exista ningún distribuidor MUSIC Group en su ciudad o región, póngase en contacto con el distribuidor MUSIC Group de su país, que podrá localizar en nuestra página web www.midasconsoles.com. Si su país no aparece en el listado, póngase en contacto con "United Kingdom (Midas/KT main office)" ("Reino Unido (sede central de Midas/KT)") que encontrará en el enlace "Service ↳ Service/Repairs" ("Reparaciones ↳ Reparaciones/mantenimiento") dentro de la página web general www.midasconsoles.com. De forma alternativa, también puede remitirnos el formulario online de devolución en periodo de garantía que encontrará en "Service ↳ Warranty Registration" ("Reparaciones ↳ Registro de garantía") de nuestra web www.midasconsoles.com ANTES de devolvernos el aparato. Todas las solicitudes deberán ir acompañadas de una descripción del problema y del número de serie del aparato. La vigencia del periodo de garantía será comprobada con el recibo de compra o factura original.
- 3 Conexiones de corriente.** Antes de enchufar este aparato a una salida de corriente, asegúrese de que dicha salida sea del voltaje adecuado para su modelo concreto. En caso de que deba sustituir un fusible quemado, deberá hacerlo por otro de idénticas especificaciones, sin excepción.

FR Informations importantes

- 1 Enregistrez-vous en ligne.** Prenez le temps d'enregistrer votre produit Midas aussi vite que possible sur le site Internet www.midasconsoles.com. Le fait d'enregistrer le produit en ligne nous permet de gérer les réparations plus rapidement et plus efficacement. Prenez également le temps de lire les termes et conditions de notre garantie.
- 2 Dysfonctionnement.** Si vous n'avez pas de revendeur MUSIC Group à proximité, contactez le distributeur MUSIC Group de votre pays à l'adresse www.midasconsoles.com. Si votre pays n'est pas indiqué, contactez le "United Kingdom (Midas/KT main office)" ("bureau du Royaume-Uni (siège social de Midas/KT)") situé dans "Service ↳ Service/Repairs" ("Réparations ↳ Maintenance/Réparations") du site Internet www.midasconsoles.com. Vous pouvez également soumettre en ligne le formulaire de retour sous garantie dans "Service ↳ Warranty Registration" ("Réparations ↳ Enregistrement de garantie") sur le site www.midasconsoles.com AVANT de renvoyer le produit. Toutes les requêtes doivent être accompagnées de la description du problème et du numéro de série du produit. La prise en charge par la garantie sera validée par la facture de vente initiale.
- 3 Raccordement au secteur.** Avant de relier cet équipement au secteur, assurez-vous que la tension secteur de votre région soit compatible avec l'appareil. Veillez à remplacer les fusibles uniquement par des modèles exactement de même taille et de même valeur électrique - sans aucune exception.

PT Outras Informações Importantes

- 1 Registre-se online.** Por favor, registre seu novo equipamento Midas logo após a compra visitando o site www.midasconsoles.com Registrar sua compra usando nosso simples formulário online nos ajuda a processar seus pedidos de reparos com maior rapidez e eficiência. Além disso, leia nossos termos e condições de garantia, caso seja necessário.
- 2 Avaria.** Se não houver qualquer revendedor da MUSIC Group na sua zona, poderá contactar o distribuidor da MUSIC Group para o seu país através do website www.midasconsoles.com. Se o seu país não estiver listado por favor contacte "United Kingdom (Midas/KT main office)" ("Escritório principal KT/Midas no Reino Unido") localizado em "Service ↳ Service/Repairs" ("Serviço ↳ Serviço/Reparações") no website www.midasconsoles.com. Em alternativa, por favor envie-nos o formulário de devolução de garantia online que pode encontrar em "Service ↳ Warranty Registration" ("Serviço ↳ Registo de Garantia de") em www.midasconsoles.com ANTES de devolver o produto. Todas as questões deverão ser acompanhadas pela descrição do problema e pelo número de série do produto. A elegibilidade da garantia irá ser verificada com o recibo de venda original.
- 3 Ligações.** Antes de ligar a unidade à tomada, assegure-se de que está a utilizar a voltagem correcta para o modelo em questão. Os fusíveis com defeito terão de ser substituídos, sem qualquer excepção, por fusíveis do mesmo tipo e corrente nominal.

DE Weitere wichtige Informationen

- 1 Online registrieren.** Bitte registrieren Sie Ihr neues Midas-Gerät direkt nach dem Kauf auf der Website www.midasconsoles.com. Wenn Sie Ihren Kauf mit unserem einfachen online Formular registrieren, können wir Ihre Reparaturansprüche schneller und effizienter bearbeiten. Lesen Sie bitte auch unsere Garantiebedingungen, falls zutreffend.
- 2 Funktionsfehler.** Sollte sich Ihr MUSIC Group-Händler nicht in Ihrer Nähe befinden, kontaktieren Sie bitte den MUSIC Group-Vertrieb Ihres Landes unter www.midasconsoles.com. Wenn Ihr Land nicht aufgelistet ist, kontaktieren Sie bitte das "United Kingdom (Midas/KT main office)" ("Midas/KT Hauptbüro Großbritannien") in der Rubrik "Service ↳ Service/Repairs" ("Service ↳ Service/Reparaturen") auf der www.midasconsoles.com Website. Alternativ können Sie auch in der Rubrik "Service ↳ Warranty Registration" ("Service ↳ Garantieregistrierung") von www.midasconsoles.com das Online-Formular zur Rücksendung im Garantiefall ausfüllen, BEVOR Sie das Produkt zurückschicken. Alle Anfragen müssen durch eine Beschreibung des Problems und die Seriennummer des Produkts ergänzt werden. Der Garantieanspruch wird anhand des originalen Kaufbelegs überprüft.
- 3 Stromanschluss.** Bevor Sie das Gerät an eine Netzsteckdose anschließen, prüfen Sie bitte, ob Sie die korrekte Netzspannung für Ihr spezielles Modell verwenden. Fehlerhafte Sicherungen müssen ausnahmslos durch Sicherungen des gleichen Typs und Nennwerts ersetzt werden.

ES

FR

PT

DE

FEDERAL COMMUNICATIONS COMMISSION COMPLIANCE INFORMATION



Responsible party name: **MUSIC Group Research UK Limited**

Address: **Klark Industrial Park, Walter Nash Road, Kidderminster. Worcestershire. DY11 7HJ. England.**

Phone/Fax No: **Phone: +44 1562 741515 Fax: +44 1562 745371**

DL251/DL252 Audio System I/O

complies with the FCC rules as mentioned in the following paragraph:

This equipment has been tested and found to comply with the limits for a Class A digital device, pursuant to Part 15 of the FCC Rules. These limits are designed to provide reasonable protection against harmful interference when the equipment is operated in a commercial environment. This equipment generates, uses, and can radiate radio frequency energy and, if not installed and used in accordance with the instruction manual, may cause harmful interference to radio communications. Operation of this equipment in a residential area is likely to cause harmful interference in which case the user will be required to correct the interference at his own expense.

Important information:

Changes or modifications to the equipment not expressly approved by MUSIC Group can void the user's authority to use the equipment.

EN

Thank you for reading through this Operator Manual. We hope you found it useful. Please feel free to send us your comments. Our contact details and website address can be found at the front of this document.

ES

Gracias por leer este Manual de instrucciones. Esperamos que le haya sido de utilidad. No dude en hacernos llegar sus comentarios, sugerencias o quejas. Los detalles de contacto y nuestra página web aparecen en la portada de este documento.

FR

Merci d'avoir lu ce mode d'emploi dans sa totalité. Nous espérons que vous l'avez trouvé utile. N'hésitez pas à nous faire part de vos commentaires. Nos coordonnées et l'adresse de notre site Internet sont indiquées au début de ce mode d'emploi.

PT

Obrigado por ler este manual de usuário completamente. Esperamos que você tenha o achado útil. Por favor, envie seus comentários se assim desejar. Nossos dados de contato encontram-se na parte da frente deste documento.

DE

Herzlichen Dank, dass Sie dieses Bedienungshandbuch gelesen haben. Wir hoffen, dass Sie die enthaltenen Informationen nutzen konnten. Ihre Kommentare nehmen wir gern entgegen. Unsere Kontaktinfos und Website-Adresse finden Sie am Anfang dieses Dokuments.



Klark Industrial Park, Walter Nash Road,
Kidderminster. Worcestershire. DY11 7HJ. England.
Tel: +44 1562 741515, Fax: +44 1562 745371
Email: mkt.info@music-group.com
Website: www.midasconsoles.com