

SCENA LED 80 CT



Le informazioni contenute in questo documento sono state attentamente redatte e controllate. Tuttavia non è assunta alcuna responsabilità per eventuali inesattezze. Tutti i diritti sono riservati e questo documento non può essere copiato, fotocopiato, riprodotto per intero o in parte senza previo consenso scritto della D.T.S .

D.T.S. si riserva il diritto di apportare senza preavviso cambiamenti e modifiche estetiche , funzionali o di design a ciascun proprio prodotto. D.T.S non assume alcuna responsabilità sull'uso o sull'applicazione dei prodotti o dei circuiti descritti.

The information contained in this publication has been carefully prepared and checked. However, no responsibility will be taken for any errors. All rights are reserved and this document cannot be copied, photocopied or reproduced, in part or completely, without prior written consent from D.T.S.

D.T.S. reserves the right to make any aesthetic, functional or design modifications to any of its products without prior notice. D.T.S. assumes no responsibility for the use or application of the products or circuits described herein.

Les informations contenues dans le présent manuel ont été rédigées et contrôlées avec le plus grand soin. Nous déclinons toutefois toute responsabilité en cas d'éventuelles inexactitudes. Tous droits réservés. Ce document ne peut être copié, photocopié ou reproduit, dans sa totalité ou partiellement, sans le consentement préalable de D.T.S.

D.T.S. se réserve le droit d'apporter toutes modifications et améliorations esthétiques, fonctionnelles ou de design, sans préavis, à chacun de ses produits. D.T.S. décline toute responsabilité sur l'utilisation ou sur l'application des produits ou des circuits décrits.

Las informaciones contenidas en este documento han sido cuidadosamente redactadas y controladas. Con todo, no se asume ninguna responsabilidad por eventuales inexactitudes. Todos los derechos han sido reservados y este documento no puede ser copiado, fotocopiado o reproducido, total o parcialmente, sin previa autorización escrita de D.T.S.

D.T.S. se reserva el derecho a aportar sin previo aviso cambios y modificaciones de carácter estético, funcional o de diseño a cada producto suyo. D.T.S. no se asume responsabilidad de ningún tipo sobre la utilización o sobre la aplicación de los productos o de los circuitos descritos.

INDEX:

1- SYMBOLS	4
2- GENERAL WARNING	4
3- GENERAL WARRANTY CONDITIONS	4
4- TECHNICAL FEATURES	5
5- ACCESSORIES	6
6- IMPORTANT SAFETY INFORMATION	7
6.1 Fire prevention.....	7
6.2 Prevention of electric shock.....	7
6.3 Safety	7
6.4 Waste Electrical and Electronic Equipment directive.....	7
7- INSTALLATION	8
8- INPUT / OUTPUT CONNECTIONS	9
9- DMX SIGNAL CONNECTION	10
9.1 DMX Addresses.....	11
9.2 Selecting the DMX address	11
10- RDM FUNCTIONS	12
11- FIRMWARE UPDATING	13
12- DISPLAY FUNCTIONS	13
13- MANUAL MODE	15
14- ERROR MESSAGES	15
15- DMX PROTOCOL	16

1- SYMBOLS

Graphic symbols used on this manual:



THIS SYMBOL INDICATES A HOT SURFACE



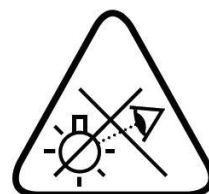
THIS SYMBOL INDICATES ELECTRIC SHOCK RISK



THIS SYMBOL INDICATES GENERAL RISK

t_a 40°C

THIS SYMBOL INDICATES THE MAXIMUM OPERATING AMBIENT TEMPERATURE



THIS SYMBOL MEANS “DO NOT STARE AT THE OPERATING LIGHT SOURCE”



THIS SYMBOL INDICATES PHOTOBIOLOGICAL SAFETY

Risk Group 2



THIS SYMBOL INDICATES THE EUROPEAN COMMUNITY DIRECTIVE 2012/19/EU ON WASTE ELECTRICAL AND ELECTRONIC EQUIPMENT (WEEE)

2- GENERAL WARNING

Read the instruction contained in this user manual carefully, as they give important information regarding safety during installation, use and maintenance.

The unit is not for residential use and must be installed by a qualified electrician or experienced person.

Always disconnect the device from the mains before maintenance.

The device must always be equipped with an efficient ground connection.

3- GENERAL WARRANTY CONDITIONS

The unit is guaranteed for 36 months from the date of purchase against manufacturing material defects.

The warranty covers defects in materials and workmanship. The warranty is not applicable where a defect is caused by misuse or unauthorised repair of the product.

Any functional or/and physical modification of the product is not allowed.

4- TECHNICAL FEATURES

DTS Product codes:

03.TS047.46.F SCENA LED 80 FR CT 5P BLACK

Output

Single White LED source with linearly tunable color temperature (2700K - 6000K)

CRI > 80

LED lifespan: 50.000 hours (70% lumen output)

Optical group

Ø 112 mm Fresnel lens

14° - 77° linear zoom

Control

DMX 512 / RDM or Manual control

Multi-function 4-digit 7-segment LED display + 4 soft keys

Internal operating system updatable via DTS Dongle firmware uploader

DMX

7 DMX channels (default)

2 DMX channels

“CTC” mode

Power supply

Full-range 100-240Vac 50-60 Hz

Power consumption: 100W Max

Power Factor: PF > 0.95

Connections

Power supply: PowerCON In&Out panel connectors

DMX: XLR 5 pins In&Out panel connectors

Internal safety devices

Overvoltage and overtemperature circuits protection

Operating temperature

-10° / 40°C

Physical

IP20

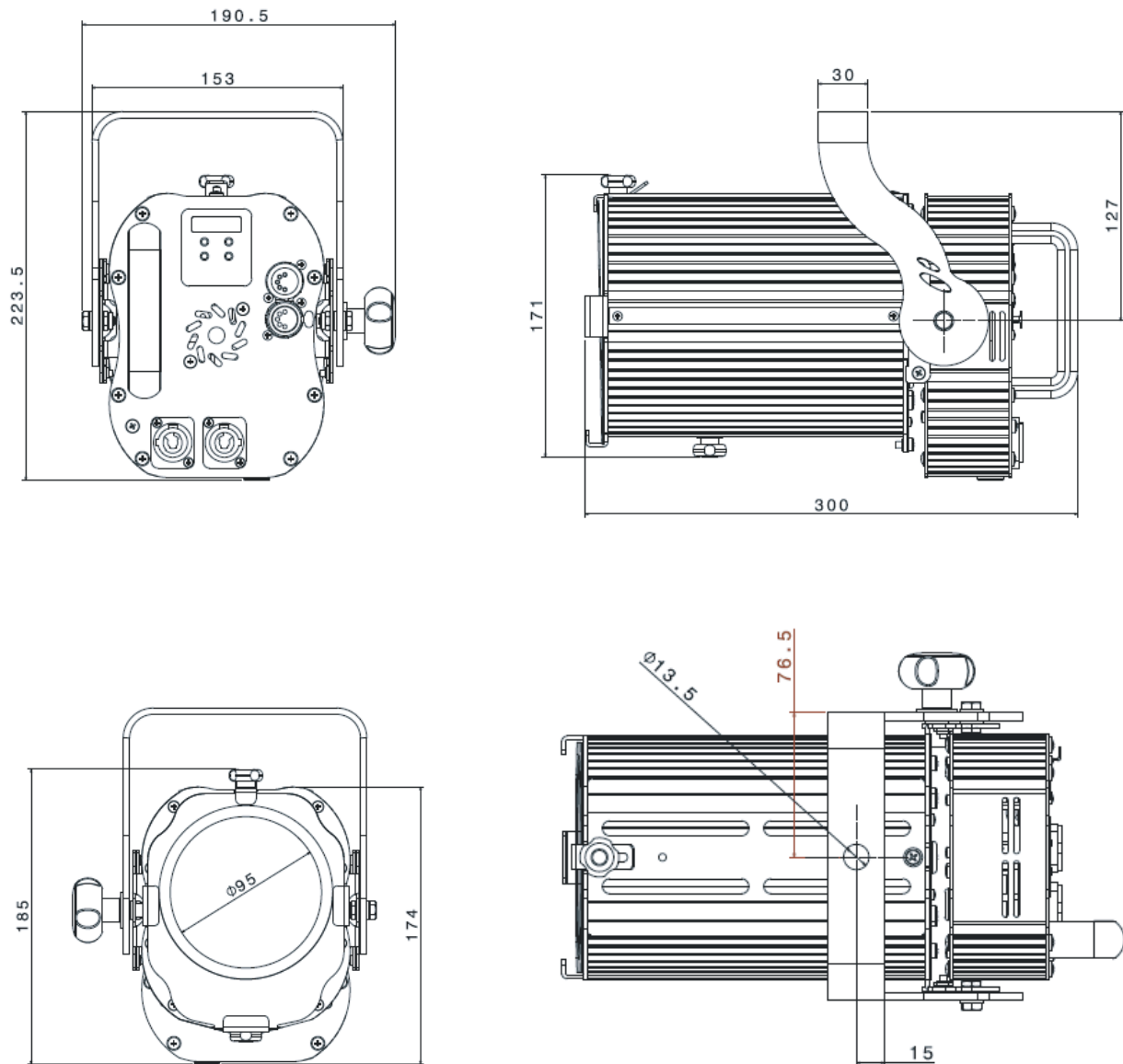
Weight: 4 Kg

Finishing: Black

Certifications



DIMENSIONS



5- ACCESSORIES

As standard

- 1 x PowerCON female cable connector (code 0520P014)
- 1 x XLR 5 pins female cable connector (code 0508B027)
- 1 x XLR 5 pins male cable connector (code 0508B028)
- 1 x Filterframe black finishing - already installed on the projector (code 02M00422.46)
- 1 x User's Manual

Optional (on request)

- Barndoor black finishing (code 03.TA206)
- G50 "C" Clamp - max. load 10 Kg (code 0521A012)
- G60 "C" Clamp - max. load 50 Kg (code 0521A004)
- Safety cable 3 x 600 mm - max load 30 Kg (code 0521A010)
- Outdoor DMX cable 2 x 0,25 mm² - flame retardant (code 0509C158)
- DTS Dongle Firmware Uploader (code 03.LA.206)
- Track adapter for electrified rail mounting - black finishing (code 03.LA.235)

6- IMPORTANT SAFETY INFORMATION

6.1 Fire prevention:

Replace any blown or damaged fuses only with those of identical value: T 2A 250V.

6.2 Prevention from electric shock:



High voltage is present inside the unit. Unplug the unit prior to performing any operation which involves touching the inside of the unit.
 This equipment must be grounded, do not connect to non-grounded supplies.
 The use of a thermal magnetic circuit breaker is recommended for each SCENA LED 80 CT unit.
 Use only AC supplies 100-240V 50-60 Hz.
 SCENA LED 80 CT should never be located in position exposed to rain or in areas of extreme humidity.
 A good air ventilation is essential for proper equipment work.

6.3 Safety:



Risk Group 2 product according to EN 62471. Risk Group 2



CAUTION. Do not look directly into the light output. May be harmful to the eyes and skin.

Do not stare at the operating light source.



The luminaire should be positioned so that prolonged staring into the luminaire at a distance closer than 3.7 m is not expected.

The light source contained in this luminaire shall only be replaced by the manufacturer or his service agent or a similar qualified person.

The unit is not for household use and must be installed by a qualified electrician or experienced person.

The external surface of the unit may exceed 60°C; never handle the unit until at least 5 minutes have elapsed since the unit was turned off.

Never install the unit in an enclosed area lacking sufficient air flow.



The ambient temperature should not exceed 40°C. t_a 40°C

6.4 Waste Electrical and Electronic equipment (WEEE) directive:



The unit, accessories and packaging should be sorted for environmental-friendly recycling.

For EC countries: according to the European Directive 2012/19/EU for Waste Electrical and Electronic Equipment and its implementation into national right, luminaires that are no longer usable must be collected separately and disposed of in an environmentally correct manner.

7- INSTALLATION

The unit is suitable for dry locations only.

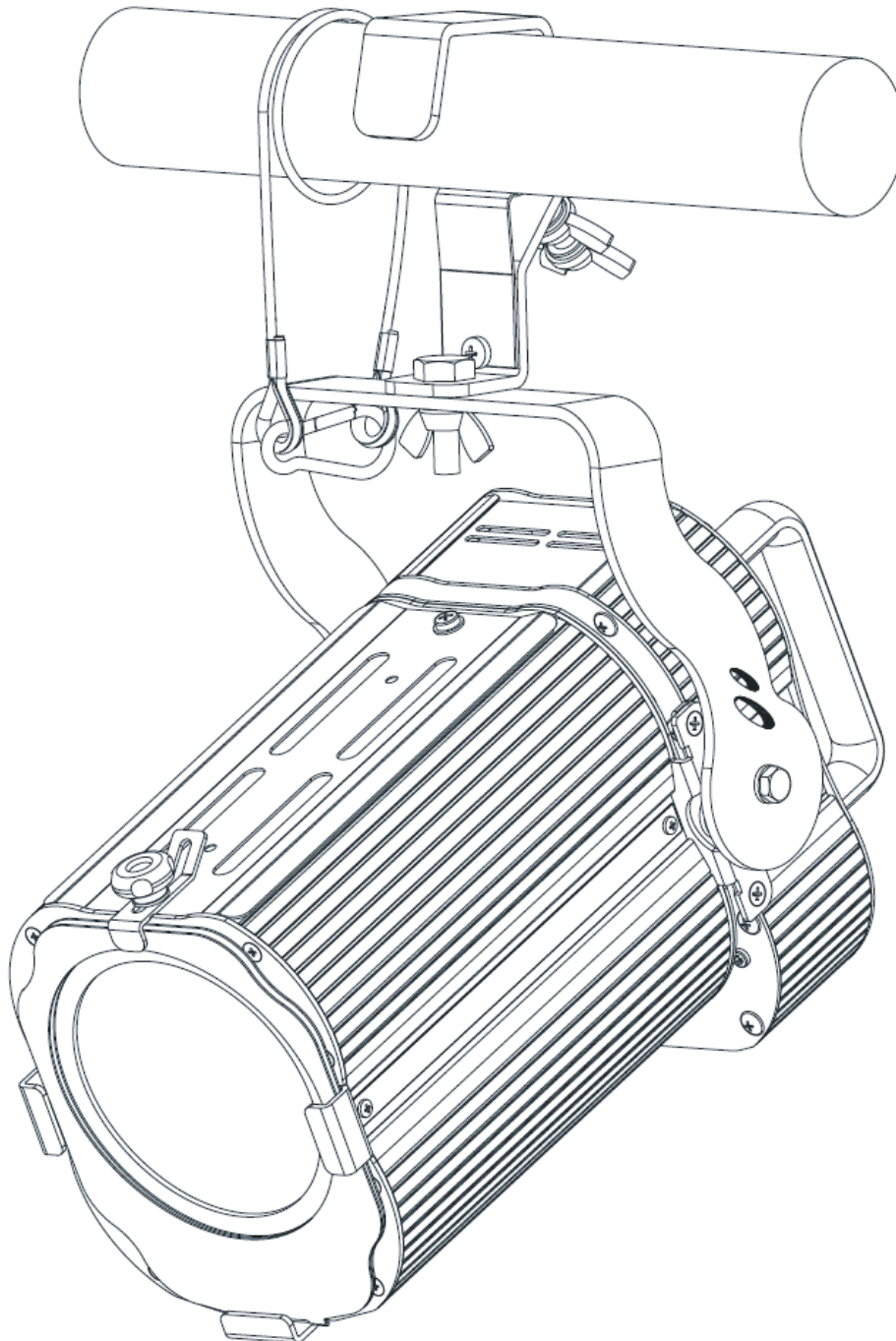
SCENA LED 80 CT can be installed on a truss or on the ceiling.

It is recommended the use of appropriate clamps to fix the unit to the mounting surface.

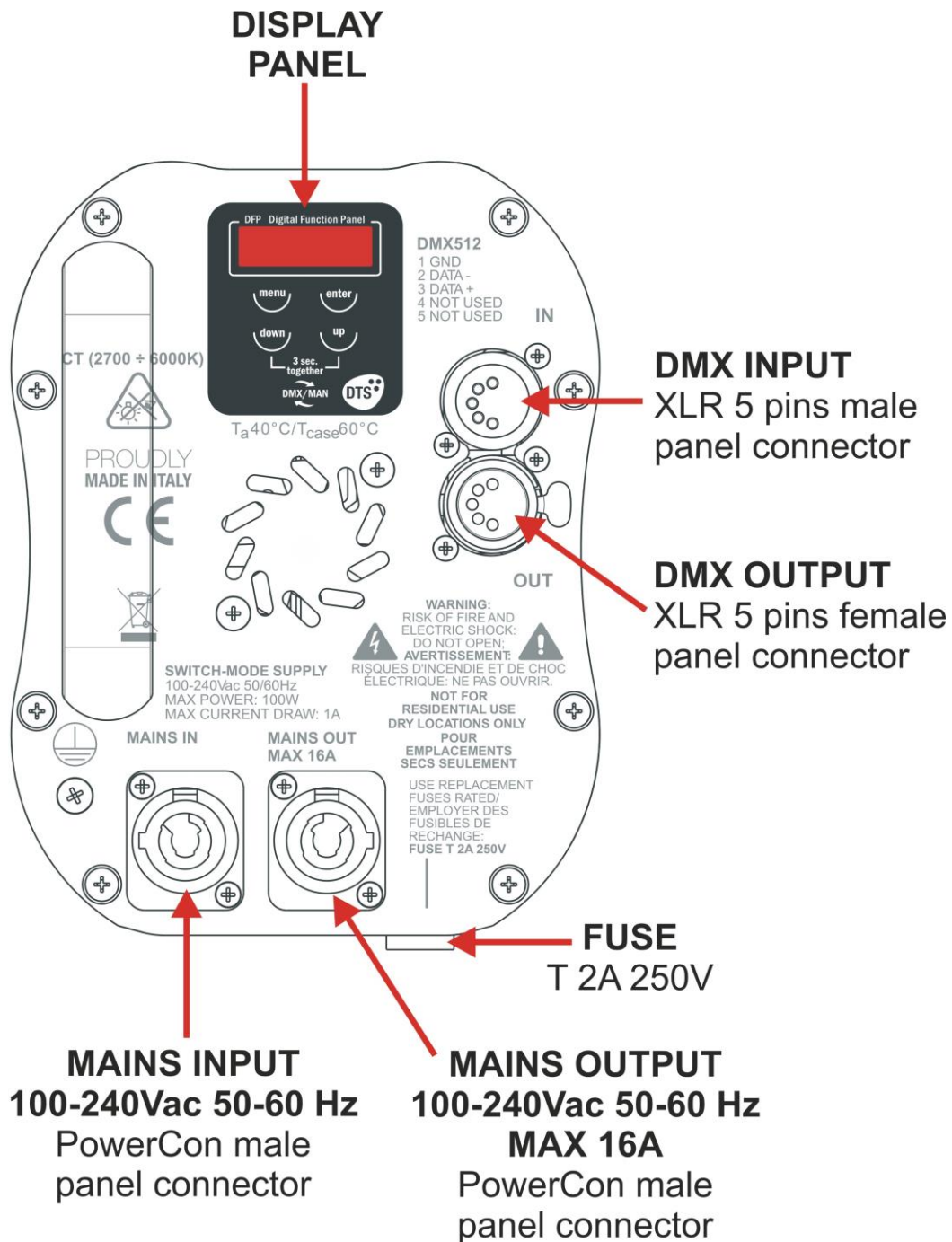
ATTENTION:

A safety cable (code 0521A010) must be securely fixed to the unit's mounting bracket and to the support structure of the projector as showed in the picture below.

Fixing clamps and safety cable are available on request.



8- INPUT / OUTPUT CONNECTIONS



Max 24 units @ 240Vac
Max 12 units @ 100Vac

9- DMX SIGNAL CONNECTION:

The unit operates using a digital DMX 512 signal.

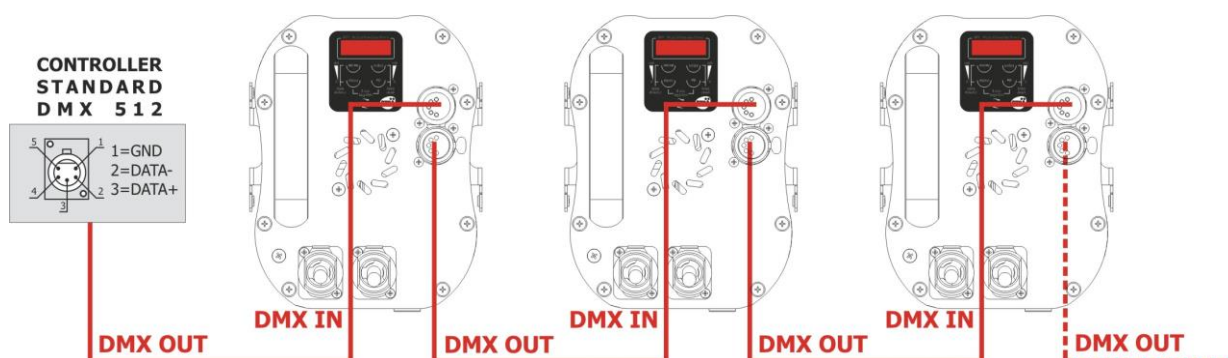
Connection between the controller and the unit or between units must be carried out using a two pair screened \varnothing 0.5 mm.

Ensure that the conductors do not touch each other.

Do not connect the cable ground to the DMX connector chassis.

The plug housing must be isolated. Connect the mixer signal to the DMX IN projector plug and connect it to the next projector by connecting the DMX OUT plug on the first unit to the DMX IN plug of the second one.

In this way, all the projectors are cascade connected.



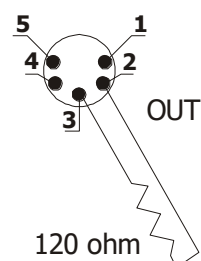
If the display showing the DMX address flashes, then one of the following errors has occurred:

- DMX signal not present
- DMX reception problem

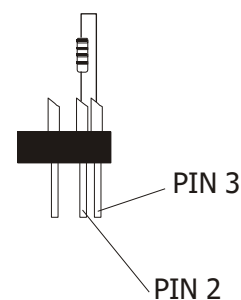
For Installations where long distance DMX cable connections are needed, we suggest to use a DMX terminator.

The DMX terminator is a male XLR 3-5 pins connector with a 120 ohm resistor Between pin 2 and 3.

The DMX terminator must be plugged into the last unit (DMX out panel connector) of the DMX line.



PLACE A 120 OHM RESISTOR BETWEEN PIN 2 AND 3 OF A MALE XLR CONNECTOR AND PLUG IT INTO THE DMX OUT PANEL CONNECTOR OF THE LAST UNIT CONNECTED TO THE DMX LINE



9.1 DMX addresses

SCENA LED 80 CT can be controlled with 7 DMX channels (Default), 2 DMX channels or in "CTC" mode.

In order to use the unit in 7 DMX channels mode (Default), set the following addresses on the mixer:

Projector 1 A001

Projector 2 A008

Projector 3 A015

..... A....

projector 6 A036

If you want to select the next projector, just add "7"

9.2 Selecting the DMX address

1) Press the UP-DOWN key until you reach the required DMX address. The numbers on the display will start to flash (but the new DMX address hasn't yet been set).

2) Press ENTER to confirm your selection. The numbers on the display will stop flashing and the projector is now controlled by the new DMX address.

TIPS: if you keep pushed the UP or DOWN keys, the channels are calculated more quickly and you get a faster selection.

10- RDM FUNCTIONS

By using a RDM controller it is possible to set DMX address, DMX mode and other parameters.

SCENA LED 80 CT accepts the following RDM commands:

RDM Device Model ID: 0x0D3F

DEVICE_INFO	To read the following parameters: <ul style="list-style-type: none"> • RDM protocol version • Fixture model ID • Fixture type • Software version ID • DMX channels • DMX mode • DMX address • Total sub-fixtures • Total sensors
IDENTIFY_DEVICE	All LED channels ON at max power to identify the fixture
DMX_START_ADDRESS	To read / set the DMX address
SOFTWARE_VERSION_LABEL	Software version ID
SUPPORTED_PARAMETERS	List of all supported parameters
PARAMETER_DESCRIPTION	Description / details of Manufacturer Specific parameter as "NO DMX ACTION"
DMX_PERSONALITY	To set the DMX mode
DMX_PERSONALITY_DESCRIPTION	Description / details of the DMX mode
DEVICE_MODEL_DESCRIPTION	Description / details of the Fixture model
MANUFACTURER_LABEL	Producer ID
SENSOR_DEFINITION, SENSOR VALUE	Description / values of sensors
SENSORS	
1: LED BOARD TEMPERATURE	LED temperature
2: DRIVER BOARD TEMPERATURE	LED Driver board temperature
RDM MANUFACTURER-SPECIFIC PIDs	
NO DMX ACTION	To set the desired fixture's behavior in case DMX signal is missing or not available. <ul style="list-style-type: none"> 1 = Black-out 2 = All channels @ 60% 3 = All channels @ 100% 4 = White CCT (Correlated Color Temperature): NO DMX SELECTABLE WHITE CCT <ul style="list-style-type: none"> 1 = 2700K (Default) 2 = 3000K 3 = 3200K 4 = 3500K 5 = 4000K 6 = 4500K 7 = 5000K 8 = 5600K 9 = 6000K NO DMX SELECTABLE WHITE INTENS. 0 ÷ 255 (Default = 0) 5 = Keep last valid DMX signal (Default)

11- FIRMWARE UPDATING

To update the firmware release of the SCENA LED 80 CT you need:

- DTS Dongle Firmware Uploader (code 03.LA.206).
- “DTS Firmware Upgrade Utility v.2.02” program installed on PC.
- Latest firmware release available for SCENA LED 80 CT unit.

Updating the firmware release.

Please follow the procedure below to perform the update:

1. Connect the DTS Dongle Firmware Uploader to a spare USB port on the PC.
2. Connect the unit DMX input to the DTS Dongle Firmware Uploader DMX output with a standard DMX cable and turn ON the unit.
3. Send the new firmware release into the unit by using “DTS Firmware Upgrade Utility v.2.02” program. At the end of the procedure, the unit will reset.

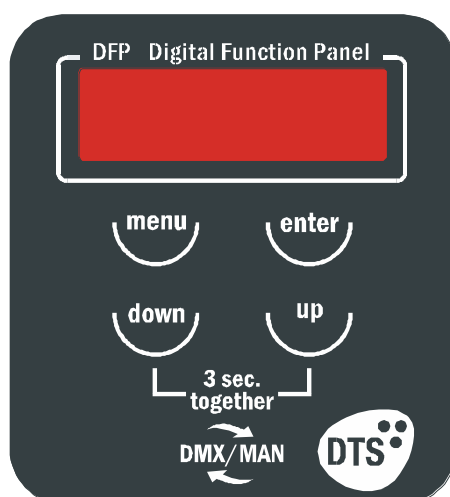
For more information please refer to an authorised DTS service centre.

12- DISPLAY FUNCTIONS

The SCENA LED 80 CT display panel shows all the available control menus.

Using these options, it is possible to change the fixture’s setting.

Changing the DTS settings can vary the functions of the unit so that it does not respond to the DMX 512 used to control it. Carefully follow the instructions below before carrying out any variations or selections.



MENU	<ul style="list-style-type: none"> • To access the control menus in the display panel. • To return to the previous level in the menu structure without making a change. • To exit the menus.
ENTER	<ul style="list-style-type: none"> • To select any required menu. • To confirm any changes.
UP / DOWN	<ul style="list-style-type: none"> • To navigate the menus structure. • To change any value.

FIRMWARE RELEASE	1.04
RDM Device Model ID	0x0D3F
DMX Personality IDs	0x01 “7 CHANNELS” 0x02 “2 CHANNELS” 0x03 “CTC”

MAIN MENU	LEVEL 1	LEVEL 2	LEVEL 3	FUNCTION	
dISP	Pos1	RR		Display normal orientation for floor mounting position (Default)	
		BB		Display inverted orientation for suspended mounting position	
	Stby	oFF		Display always ON (Default)	
		oN		Display goes OFF after 10 seconds	
ModE	7 cH			Allows to select 7 DMX channels mode (Default)	
	2 cH			Allows to select 2 DMX channels mode	
	ctc			Allows to select "CTC" mode (2 DMX channels)	
LEd	SntH	oFF-20		Allows to select the value of the delay (in milliseconds) for Dimmer channel reaction to DMX or Program variation. Off = Instant response to DMX variation. 4 = 100 ms Smooth response to DMX variation (Default) 20 = 500 ms Smooth response to DMX variation.	
		QuAd		Allows to select Quadratic current for linear light output (Default)	
	LiNE			Allows to select Linear current output	
	Sync	610-200H		Allows to adjust the PWM frequency value (Hz) in order to reduce flickering in the process of your camera recordings. Default = 610 Hz	
bSt	oN			Allows to increase the LED's current from 1470mA to 2100mA per channel Default = ON	
	oFF				
Auto	SurE	WhIt	2700 6000	Automatic mode without DMX controller. 9 White color temperature selection from 2700K (Default) to 6000K as on DMX channel 6 (CCT). In Auto mode the unit do generate DMX for slave units.	
		dimm	0-255	Dimmer level selectable by user as on DMX channel 4 (DIMMER) Default = 255	
	SHUt	0-255	Shutter level selectable by user as on DMX channel 3 (SHUTTER) Default = 15		
	ESc			Esc from automatic mode menu	
SLAV	SurE	SLU		Slave mode. The unit is forced to DMX address 1 and 7 DMX channels mode receiving signal from the unit set in Auto mode.	
		ESc		Esc from slave mode	
ndnH	Ldnn			No DMX action. Keep last valid DMX signal	
	60			All channels @ 60%	
	100			All channels @ 100%	
	WhIt	ctc	2700 6000		9 White color temperature selection from 2700K (Default) to 6000K as on DMX channel 6 (CCT)
		dimm	0-255		Dimmer level selectable for White Default = 255
oFF				Black-out	

MAIN MENU	LEVEL 1	LEVEL 2	LEVEL 3	FUNCTION
dfSE	SurE			To restore default settings
tENP	LEd	025.0		LED temperature monitoring
	drU	025.0		LED Driver board temperature monitoring
tINE	UArN			Shows the total unit life time and the Warm White / Cold White LEDs life time
	coLd			
	unit			
SoFt	u.1.00			Software version

13- MANUAL MODE

Manual mode can be activated by pressing at the same time 'UP' and 'DOWN' keys on unit display for 3 seconds (A001).

In Manual mode it is possible to select:

UHIt	2700 6000	9 White color temperature selection from 2700K to 6000K as on DMX channel 6 (CCT). Default = 2700K
dINN	0-255	Dimmer level selectable by user as on DMX channel 4 (DIMMER) Default = 255
SHUt	0-255	Shutter level selectable by user as on DMX channel 3 (SHUTTER) Default = 15
ESc		Esc from Manual mode

When Manual mode is active, unit switch OFF/ON cycle will maintain Manual Mode selection.

In Manual mode the DMX signal is ignored.

14- ERROR MESSAGES

ERROR SHOWED ON DISPLAY	APPEARS WHEN
SEnSor Error	LED thermal sensor damaged (open or in short circuit). Unit immediately goes in black-out.
LEd ovErTEmPERAturE	LED temperature detected over 100°C. Unit immediately goes in black-out.

15- DMX PROTOCOL

7 CHANNELS MODE (Default)

- 1 WARM WHITE 2700K
- 2 COLD WHITE 6000K
- 3 SHUTTER
- 4 DIMMER
- 5 DIMMER FINE
- 6 CCT
- 7 FUNCTIONS

<i>Ch</i>	<i>Name</i>	<i>DMX levels</i>	
1	WARM WHITE 2700K	0..255	Proportional color from min to max
2	COLD WHITE 6000K	0..255	Proportional color from min to max
3	SHUTTER	0..9	Black-out
		10..19	Open
		20..29	Black-out
		30..119	Strobe (da 3,27 s a 30 ms)
		120..149	Pulse up (da 42,6 s a 120 ms)
		150..179	Pulse down (da 42,6 s a 120 ms)
		180..204	Random strobe (Warm White, Cold White, Dimmer, Dimmer Fine active)
		205..229	Independent random strobe (Dimmer, Dimmer Fine active)
		230..255	Open
4	DIMMER	0..255	Proportional dimmer from min to max
5	DIMMER FINE	0..255	Proportional dimmer from min to max
6	CCT	0..010 — No func. 011 — 2700K 054 — 3000K 083 — 3200K 126 — 3500K 169 — 4000K 198 — 4500K 226 — 5000K 241 — 5600K 255 — 6000K	Linear color temperature correction from 2700K to 6000K. Relevant CCT (Correlated Color Temperature) values: 11 = 2700K 54 = 3000K 83 = 3200K 126 = 3500K 169 = 4000K 198 = 4500K 226 = 5000K 241 = 5600K 255 = 6000K

<i>Ch</i>	<i>Name</i>	<i>DMX levels</i>	
7	FUNCTIONS (staying on desired option for 5 seconds)	0..14	No function
		15..24	SMOOTH OFF
		25..26	SMOOTH 1 (25 ms)
		27..28	SMOOTH 2 (50 ms)
		29..30	SMOOTH 3 (75 ms)
		31..32	SMOOTH 4 (100 ms) (DEFAULT)
		33..34	SMOOTH 5 (125 ms)
		35..36	SMOOTH 6 (150 ms)
		37..38	SMOOTH 7 (175 ms)
		39..40	SMOOTH 8 (200 ms)
		41..42	SMOOTH 9 (225 ms)
		43..44	SMOOTH 10 (250 ms)
		45..46	SMOOTH 11 (275 ms)
		47..48	SMOOTH 12 (300 ms)
		49..50	SMOOTH 13 (325 ms)
		51..52	SMOOTH 14 (350 ms)
		53..54	SMOOTH 15 (375 ms)
		55..56	SMOOTH 16 (400 ms)
		57..58	SMOOTH 17 (425 ms)
		59..60	SMOOTH 18 (450 ms)
		61..62	SMOOTH 19 (475 ms)
		63..64	SMOOTH 20 (500 ms)
		65..74	GAMMA CORRECTION (γ Π P) QUADRATIC (DEFAULT)
		75..84	GAMMA CORRECTION (γ Π P) LINEAR
		85..104	OUTPUT FREQUENCY 610 Hz (DEFAULT)
		105	OUTPUT FREQUENCY 800 Hz
		106	OUTPUT FREQUENCY 1000 Hz
		107	OUTPUT FREQUENCY 1500 Hz
		108	OUTPUT FREQUENCY 2000 Hz
		109	OUTPUT FREQUENCY 2500 Hz
		110	OUTPUT FREQUENCY 3000 Hz
		111	OUTPUT FREQUENCY 3500 Hz
		112	OUTPUT FREQUENCY 4000 Hz
		113	OUTPUT FREQUENCY 4500 Hz
		114	OUTPUT FREQUENCY 5000 Hz
		115	OUTPUT FREQUENCY 5500 Hz
		116	OUTPUT FREQUENCY 6000 Hz
		117	OUTPUT FREQUENCY 6500 Hz
		118	OUTPUT FREQUENCY 7000 Hz
		119	OUTPUT FREQUENCY 7500 Hz
		120	OUTPUT FREQUENCY 8000 Hz
		121	OUTPUT FREQUENCY 8500 Hz
		122	OUTPUT FREQUENCY 9000 Hz
		123	OUTPUT FREQUENCY 9500 Hz
		124	OUTPUT FREQUENCY 10000 Hz
		125	OUTPUT FREQUENCY 11000 Hz
		126	OUTPUT FREQUENCY 12000 Hz
127	OUTPUT FREQUENCY 13000 Hz		
128	OUTPUT FREQUENCY 14000 Hz		
129	OUTPUT FREQUENCY 15000 Hz		
130	OUTPUT FREQUENCY 16000 Hz		
131	OUTPUT FREQUENCY 17000 Hz		
132	OUTPUT FREQUENCY 18000 Hz		
133	OUTPUT FREQUENCY 19000 Hz		
134	OUTPUT FREQUENCY 20000 Hz		
135..144	BOOST ON (DEFAULT)		
145..154	BOOST OFF		
155..164	DISPLAY STAND-BY OFF (DEFAULT)		
165..174	DISPLAY STAND-BY ON		

<i>Ch</i>	<i>Name</i>	<i>DMX levels</i>	
		175..176	NO DMX ACTION – KEEP LAST DMX (DEFAULT)
		177..178	NO DMX ACTION – Black-out
		179..180	NO DMX ACTION – All channels @ 100%
		181..182	NO DMX ACTION – All channels @ 60%
		183..184	NO DMX ACTION – 2700K..6000K (active CCT as per display menu > NDMX > WHIT or via RDM Custom PIDs (Default = 2700K)
		185..194	RESERVED
		195..204	RESERVED
		205..214	RESERVED
		215..224	RESERVED
		225..234	RESERVED
		235..244	RESERVED
		245..252	RESERVED
		253..255	SET DEFAULTS VALUES FOR FUNCTIONS: SMOOTH = 4 (100 ms) GAMMA CORRECTION ($\sigma \Pi P$) = QUADRATIC OUTPUT FREQUENCY = 610 Hz BOOST = ON DISPLAY STAND-BY = OFF NO DMX ACTION = KEEP LAST DMX

2 CHANNELS MODE

- 1 WARM WHITE 2700K
- 2 COLD WHITE 6000K

<i>Ch</i>	<i>Name</i>	<i>DMX levels</i>	
1	WARM WHITE 2700K	0..255	Proportional color from min to max
2	COLD WHITE 6000K	0..255	Proportional color from min to max

“CTC” MODE

- 1 DIMMER
- 2 CTC

<i>Ch</i>	<i>Name</i>	<i>DMX levels</i>	
1	DIMMER FINE	0..255	Proportional dimmer from min to max
2	CCT	0..010 — No func. 011 — 2700K 054 — 3000K 083 — 3200K 126 — 3500K 169 — 4000K 198 — 4500K 226 — 5000K 241 — 5600K 255 — 6000K	Linear color temperature correction from 2700K to 6000K. Relevant CCT (Correlated Color Temperature) values: 11 = 2700K 54 = 3000K 83 = 3200K 126 = 3500K 169 = 4000K 198 = 4500K 226 = 5000K 241 = 5600K 255 = 6000K

PROUDLY
MADE IN ITALY



DTS products are designed
and manufactured at the
DTS plants in Italy



ISO 9001:2015

DTS quality system is certified
to the ISO 9001:2015 standard

D.T.S. Illuminazione s.r.l. • Via Fagnano Selve 12-14
47843 Misano Adriatico (RN) Italy
Tel.: +39 0541 611131 • Fax +39 0541 611111
info@dts-lighting.it • www.dts-lighting.it



05171287

Product and specifications subjects to change without notice.